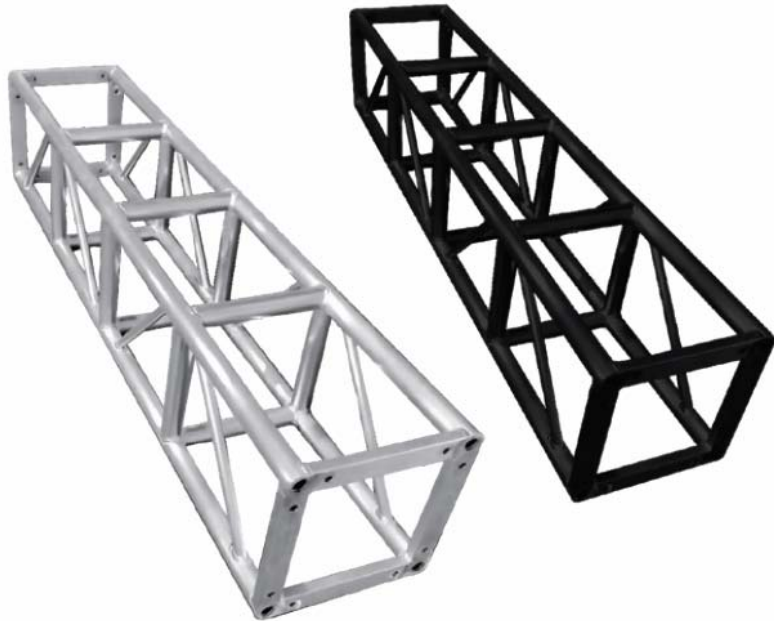




BOLT BOX TRUSS

T3BB* Series

USER MANUAL



For safety, please read this user manual carefully before initial use.

Event Lighting reserves the right to revise the manual at any time. Information and specifications within this manual are subject to change without notice. Event Lighting assumes no liability or responsibility for any errors or omissions. Please consult Event Lighting for any clarification or information regarding this item.

www.eventec.com.au

Ver 1.0 (25.10.2024)

CONTENTS

Safety Instructions	2
Product Assembly	2
Product Dismantling	2
Load Ratings	3
Specifications	3
Warranty.....	3

Safety Instructions

WARNING

- Trusses and truss constructions can only be used to suspend static loads. Loading tables provided in this manual are only valid for static loads.
- The assembly has to be done by trained and competent persons. Working with a truss construction requires a certain professional knowledge. Please do not attempt to work with truss if you are unsure and lack knowledge; contact a rigging specialist for assistance.
- Treat the truss elements with care. Don't drop them, don't drag them around and don't throw sections on top of each other.
- Prevent damage from sharp edges such as the forks of a forklift.
- Unauthorized modifications on the trussing are forbidden due to safety reasons and void any form of load ratings.
- When rigging, dismantling, or servicing the trussing, make sure the area below installation place is blocked off.
- A competent person shall check prior to use if all trusses are connected properly before applying loads.

Product Assembly



The Event Lighting Ladder style truss requires the chords to be facing down for bracing when used in a horizontal position. Incorrect use will void any form of load ratings

- Before beginning, inspect the truss structure, bolts, nuts, washers, and other hardware for any visible damage. Replace any damaged components with new or undamaged ones to ensure safety and stability.
- Align the truss sections that you intend to connect by positioning them so the bolt holes of both sections are aligned.
- Insert the bolts through the aligned holes. Ensure that the bolts go through both truss sections completely.
- Place washers on both sides of the connection (where the bolt enters and exits) to distribute the load evenly and protect the surface of the truss from damage.
- Screw a nut onto the exposed end of each bolt and tighten by hand.
- Once the nuts are hand-tight, use a wrench or socket tool to fully tighten them. Ensure that all bolts are securely fastened to prevent any movement between truss sections.
- Double-check all bolts and nuts to ensure they are tight. Confirm that the truss sections are securely connected and aligned properly.
- Repeat these steps for each truss connection in your structure.

Product Dismantling

- Use a wrench or socket tool to loosen all the nuts. Begin loosening the nuts in the opposite order they were tightened.
- Once the nuts are loose, remove the nuts and washers and set them aside.
- Pull the bolts out of the truss connections carefully. If they are stuck, gently tap them out with a rubber mallet to avoid damaging the bolts or truss.
- Once the bolts are removed, pull the truss sections apart. Ensure that you support the trusses during disassembly to prevent them from falling or becoming unstable.
- Gather all bolts, nuts, and washers after disassembly. Store them in a secure container to prevent loss or damage.

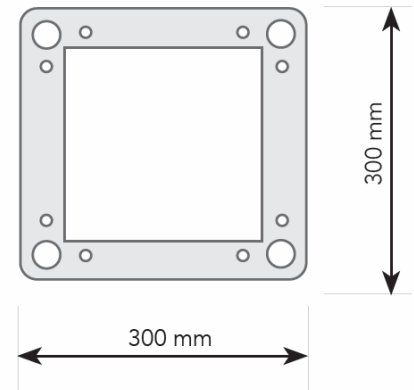
Load Ratings

SPAN (M)	2m	3m	4m	5m	6m	7m	8m	9m	10m	11m	12m
Centre Point Load (kg)											
	1701	1276	900	823	627	550	480	400	300	280	250
Deflection (mm)											
	2	6	10	13	20	30	40	45	55	68	74
Uniform Load (kg)											
	1900	1679	1410	1236	900	750	600	550	500	480	450
Deflection (mm)											
	2	7	12	20	25	33	46	51	58	66	73

Specifications

300mm Aluminium Lighting Bolt Box Truss,
3mm wall thickness

- Main Tube: 50mm x 3mm
- Vice Brace: 50mm x 2mm
- Diagonal Brace: 25mm x 2mm
- Materials: Aluminum alloy 6061-T6
- Finishing: Washed or Black
- Rating: TUV
- Dimensions (W x H): 300 x 300 mm



WARRANTY

Please refer to your local dealer or please contact Eventec

Website: www.eventec.com.au