



SPIGOT BOX TRUSS

T4BD* Series

USER MANUAL



For safety, please read this user manual carefully before initial use.

Event Lighting reserves the right to revise the manual at any time. Information and specifications within this manual are subject to change without notice. Event Lighting assumes no liability or responsibility for any errors or omissions. Please consult Event Lighting for any clarification or information regarding this item.

CONTENTS

Safety Instructions	2
Product Assembly	2
Product Dismantling	2
Load Ratings	3
Specifications	3
Warranty.....	3

Safety Instructions

WARNING

- Trusses and truss constructions can only be used to suspend static loads. Loading tables provided in this manual are only valid for static loads.
- The assembly has to be done by trained and competent persons. Working with a truss construction requires a certain professional knowledge. Please do not attempt to work with truss if you are unsure and lack knowledge; contact a rigging specialist for assistance.
- Treat the truss elements with care. Don't drop them, don't drag them around and don't throw sections on top of each other.
- Prevent damage from sharp edges such as the forks of a forklift.
- Unauthorized modifications on the trussing are forbidden due to safety reasons and void any form of load ratings.
- When rigging, dismantling, or servicing the trussing, make sure the area below installation place is blocked off.
- A competent person shall check prior to use if all trusses are connected properly before applying loads.

Product Assembly

The Event Lighting Ladder style truss requires the chords to be facing down for bracing when used in a horizontal position. Incorrect use will void any form of load ratings

- Check the truss, the truss pins, the couplers and the safety clips for any damages. If any piece is damaged replace it with new / undamaged products.
- Insert a coupler half-way into a main tube and check that the drillings in the coupler are aligned with the drillings in the main tube. The larger hole in the coupler must face outwards.
- Insert now a truss pin with the narrow side down and push it through. For a tolerance free connection, use a copper or synthetic hammer to drive the pin completely through the cone and main tube.
- Push a safety clip through the small hole of the truss pin. This secures the pin so that it cannot fall out.
- Repeat this step for each main tube. You might have to turn the truss to insert all truss pins and safety clips.
- Insert now the truss with the coupler side into the next truss you want to add and secure the main tubes of the second truss as well with all truss pins and safety clips.

Product Dismantling

- Remove all the safety clips.
- Push truss pins from the inside to the outside and remove them (If you use a synthetic or copper hammer to drive the pin out, be careful as the truss pin might fly off when you knock hard with the hammer).
- Loosen the connection and pull the truss apart.
- Collect and secure all couplers, truss pins and safety clips.

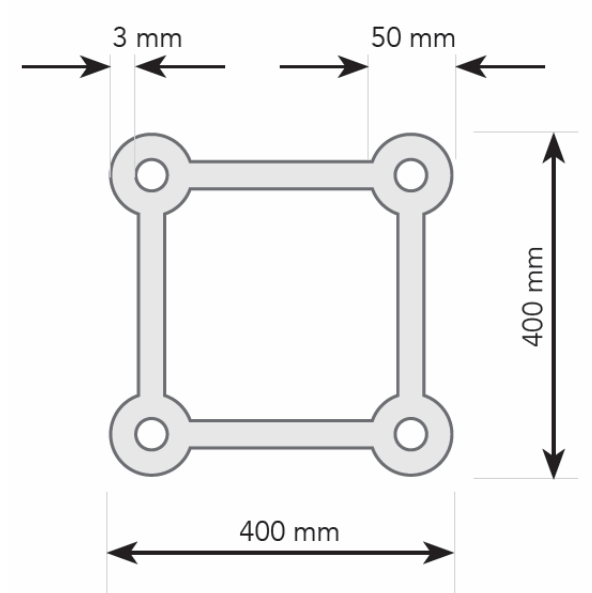
Load Ratings

SPAN (M)	1m	2m	3m	4m	5m	6m	7m	8m	9m	10m	11m	12m	13m	14m	15m	16m
Centre Point Load (kg)																
	2011	1950	1859	1770	1589	1297	1100	980	910	835	755	697	600	520	479	443
Deflection (mm)																
	2779	2712	2689	2605	2475	2300	1850	1650	1435	1257	1129	935	885	825	787	698
Deflection (mm)																
	2.5	4	5.8	10	14	20	27	36	49	60	70	87	101	115	132	147

Specifications

400mm Aluminium Lighting Spigot Box Truss,
3mm wall thickness

- Main Tube: 50mm x 3mm
- Vice Brace: 25mm x 2mm
- Materials: Aluminum alloy 6061-T6
- Finishing: Washed or Black
- Rating: TUV
- Dimensions (W x H): 400 x 400 mm



WARRANTY

Please refer to your local dealer or please contact Eventec

Website: www.eventec.com.au