



Outdoor 300W Warm White + 80 x 20W RGBA Wash

CYCLOPS2

USER MANUAL



For safety, please read this user manual carefully before initial use.

Event Lighting reserves the right to revise the manual at any time. Information and specifications within this manual are subject to change without notice. Event Lighting assumes no liability or responsibility for any errors or omissions. Please consult Event Lighting for any clarification or information regarding this item.

Safety instructions



Caution

All products are well packed prior shipping, please use the fixtures as to the manual.
Machine failure due to human causes is not covered in the warranty.

When unpacking and before disposing of the carton check there is no transportation damage before using the light. Should there be any damage caused by transportation, consult your dealer and do not use the apparatus.

The projector is for indoor and outdoor use, IP65.

Do not install the fixtures onto inflammable surfaces directly.



The fixture is only intended for installation, operation and maintenance by qualified personnel.

Do not project the beam onto inflammable surfaces, minimum distance is 3meter. ☞ 3m ☞

Avoid direct exposure to the light from the lamp. The light is harmful to the eye.

Do not attempt to dismantle and/or modify the projector in any way.

Electrical connection must only be carried out by qualified personnel.

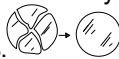
Before installation, ensure that the voltage and frequency of power supply match the power requirements of the fixture.

It is essential that each projector is correctly earthed and that electrical installation conforms to all relevant standards.

Do not connect this device to any other types of dimmer apparatus.

The projector should always be installed with a secondary safety fixing. A safety cord is supplied for this; it should be attached as shown in "installing the projector" section.

Shields and lens shall be changed if they have become visibly damaged to such an extent than their effectiveness is impaired, for example by cracks or deep scratches.

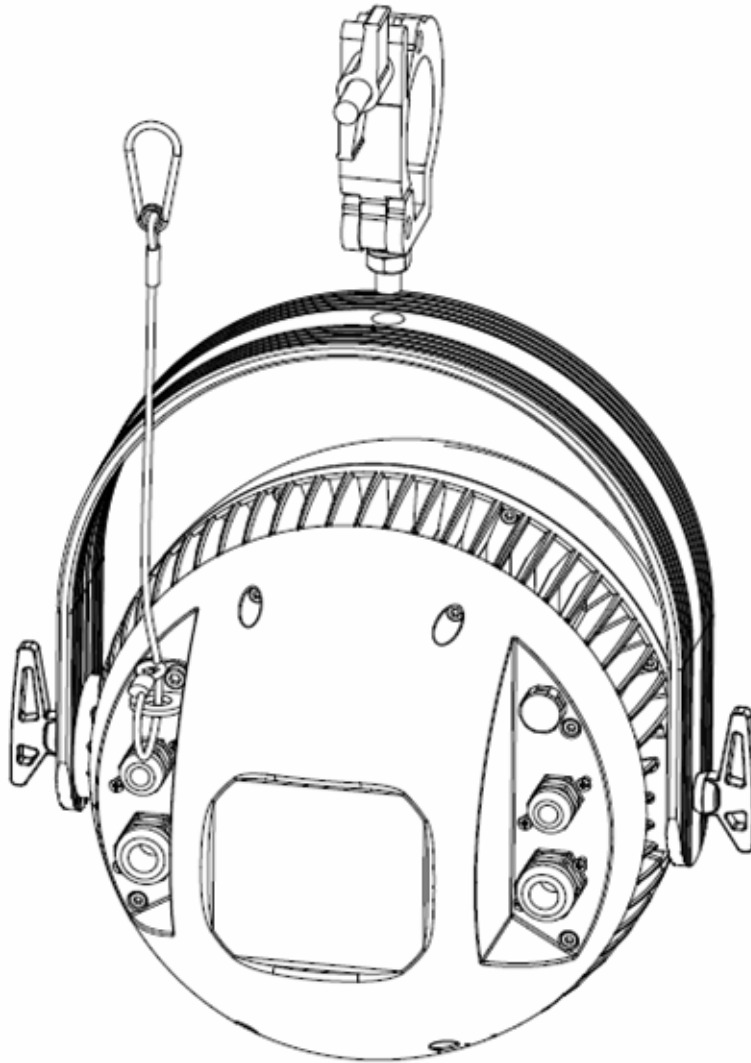


Exterior surface temperatures of the luminaire after 5 minutes operation is 45°C, when steady state is achieved 70°C
There is no user serviceable parts inside the projector, do not open the housing and never operate the fixture with the covers removed.

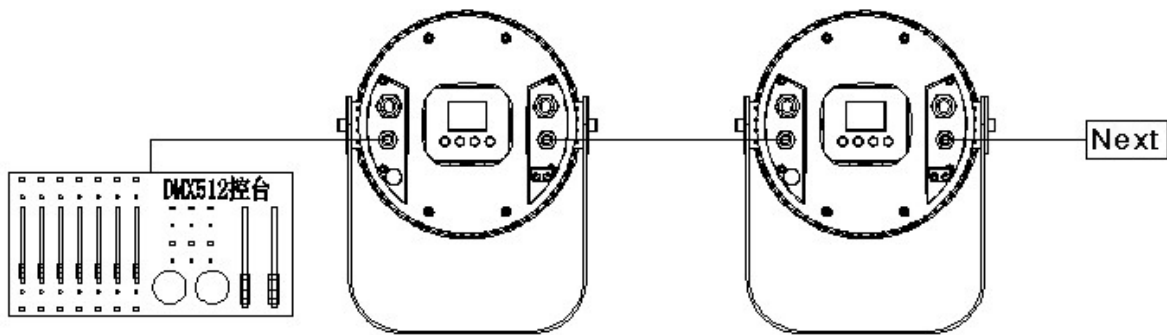
If you have any questions, don't hesitate to consult your dealer or manufacturer.

Always disconnection from Power before the device's installation, cleaning and maintenance.

FIXTURE STRUCTURE AND INSTALLATION



Signal cables connection

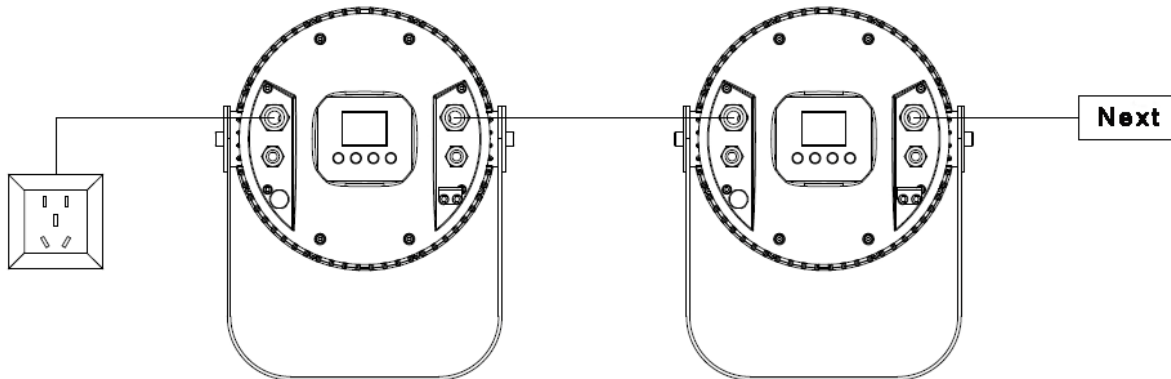


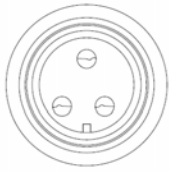
DMX Address Code Setting

Channels	Address code	The 1 st fixture	The 2 nd fixture	The 3 rd fixture	The 4 th fixture
1CH	001	001	002	003	004
5CH	001-005	001	006	011	016
8CH	001-008	001	009	017	025
9CH	001-009	001	010	019	028

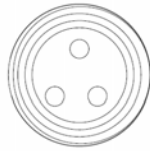
(Referring to the figure above) More fixtures from the 4th set; address code according to the DMX channel, and so on

Power Connection





POWER IN



POWER OUT

Using Power in/out connector

Connect the power cord hand in hand

Attention: Due to power reason ,one 1.5 square wire power cable can connect not more than 6 sets (230V)



Cautions

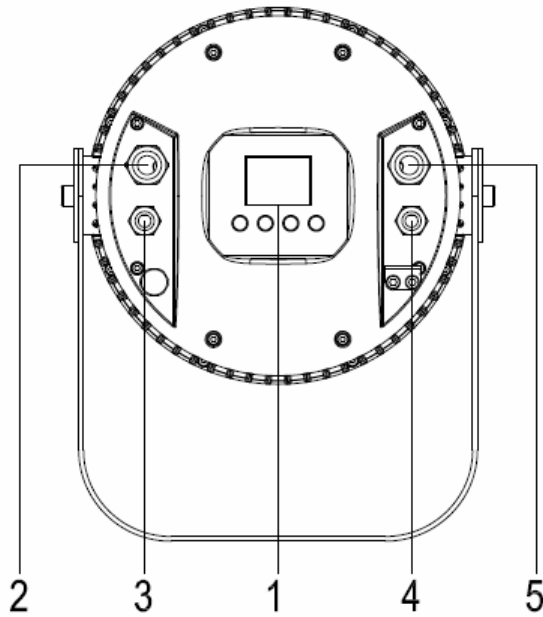
Do not connect too many fixtures or overload through single power cord.

Do not use the damaged power cord of the insulation layer, and do not put the power cord on other wires

Unplug the power cord when the fixture is not in use or cleaning.

Do not vigorously unplug or drag the power cord directly.

Control Panel



1. Panel operation button: MENU、UP、DOWN、ENTER
2. POWER IN: Waterproof True1 input Voltage: 100-240V 50/60HZ
3. DMX IN: 5-pin DMX waterproof signal cable input
4. DMX OUT: 5-pin DMX waterproof signal cable output
5. Power OUT: Waterproof True1 output Voltage: 100-240V 50/60HZ

Panel operation function operation is as follows:

Name	Description	Function
MENU	MENU CHOOSING	MENU Operation
UP	Shift. to the previous	The parameter increase
DOWN	Shift. to the Next	The parameter decrease
ENTER	Save your settings	Confirm the selected settings

Press button **UP** or **DOWN** if you want to browse through the various Setup Options.

Press button **ENTER** to save your settings or enter the next menu.

Press button **UP** or **DOWN** to shift.

Press button **Menu** will return to the upper menu one by one.

Operation Menu

Level 1	Level 2	Description
DMX Address	001-512	Set DMX address
	cancel	
	Enter	
DMX Channel Mode	1 Channel Mode	
	5 Channel Mode	
	8 Channel Mode	
	9 Channel Mode	
Dimmer Mode	OFF	
	Dimmer Mode 1	
	Dimmer Mode 2	
	Dimmer Mode 3	
Dimmer Curve	Dimmer Curve 1	
	Dimmer Curve 2	
	Dimmer Curve 3	
	Dimmer Curve 4	
LED Frequency	600Hz	
	1200Hz	
	2000Hz	
	4000Hz	
	6000Hz	
	25KHz	
Manual Color	White (COB)	0-255
	Red	0-255
	Green	0-255
	Blue	0-255
	Amber	0-255

Auto program	Auto color	0-255
	Auto gradual changing	0-255
Language(语言)	English	
	Chinese	
password (密码锁)	OFF	8888
	on	
Fan Mode	Auto	
	Mute	
	Top Speed	
Display Invert	No	
	Yes	
Backlight	ON	
	30S	
Fixture test	White (COB)	0-255
	Red	0-255
	Green	0-255
	Blue	0-255
	Amber	0-255
Factory reset	NO	
	YES	
System Info	RDM UID 0991H	RDM UID POMELO
	Version	Software Version Number
	DMX Channel	Currently used mode
	Run Time	00:00:00 Total usage time
	User Time	00:00 The time of use
	Temperature	Current Operating Temperature

Remarks:

1. Only one fixture can be set to host in one signal cable, remove DMX control signal when using host function
2. In the synchronous control of multiple fixtures parameters can be transmitted from the master including: DMX mode, display setting, operation mode (user memory data included); All fixtures accepting parameters will automatically be set to slave mode.

DMX CHANNEL LIST

1 Channel

Channel	Function	DMX Value	Description
1	COB White	0-255	0-100%

5 Channel

Channel	Function	DMX Value	Description
1	COB White	0-255	0-100%
2	Red	0-255	0-100%
3	Green	0-255	0-100%
4	Blue	0-255	0-100%
5	Amber	0-255	0-100%

8 Channel

Channel	Function	DMX Value	Description
1	Dimmer	0-255	0-100%
2	Strobe	0-255	0-100%
3	COB White	0-255	0-100%
4	Red	0-255	0-100%
5	Green	0-255	0-100%
6	Blue	0-255	0-100%
7	Amber	0-255	0-100%
8	Color Temperature	0-255	0-100% Default light 1-4 / 0.4% -1.6% (RGBW is controllable)

9 Channel

Channel	Function	DMX Value	Description
1	Dimmer	0-255	0-100%
2	Strobe	0-255	0-100%
3	COB White	0-255	0-100%
4	Red	0-255	0-100%

5	Green	0-255	0-100%
6	Blue	0-255	0-100%
7	Amber	0-255	0-100%
8	Color Temperature	0-255	0-100% Default light 1-4 / 0.4% -1.6% (RGBW is controllable)
9	Color macro	0-255	0-100%

Channel priority: dimming> built-in program call > user program call>ARGBW dimming >HSV dimming> Macro Instruction> Color Temperature

Maintenance

To ensure the reliability of the projector it should be kept clean. It is recommended that the fans should be cleaned every 15 days. The lens and dichroic color filters should also be regularly cleaned to maintain an optimum light output. **Do NOT use any type of solvent on dichroic color filters.**

Cleaning frequency depends on the environment in which the fixture operates: damp, smoke or particularly dirty surroundings can cause greater accumulation of dirt on the unit's optics. A soft cloth and typical glass cleaning products should be used in cleaning. It is recommended to clean the external optics at least once every 20 days and clean the internal optics at least once every 30 / 60 days.

Do not use any organic solvent, e.g. alcohol, to clean the reflector mirror, dichroic color filters or housing of the apparatus.

Trouble Shooting

PROBLEM	ACTION
The fixture wont switch on properly	<ul style="list-style-type: none"> ➤ power cord connection is not normal ➤ the switching power supply is damaged or the connection is not normal, professional qualified technician needed to carry out maintenance and repair ➤ control board connection is not normal, professional qualified technician needed to carry out maintenance and repair
The fixture switch on, but LED not bright and not controlled	<ul style="list-style-type: none"> ➤ LED board connection is not normal, professional qualified technician needed to carry out maintenance and repair
Switch on and light normally, but not controlled by controller	<ul style="list-style-type: none"> ➤ check the DMX starting address code setting is correct or not , Check the XLR signal line is damaged or not
The fixture is dim and the brightness drops sharply	<ul style="list-style-type: none"> ➤ The fixtures temperature is too high, please take necessary ventilation and heat dissipation measures

Technical Parameter

Optics

Light Source	300W COB White LED+8pcs 20w RGBA LED
Luminous Flux	18600Lm (42°)
Color Temperature	2400K~8500K
CRI	Ra≥90,R9≥90
Beam Angle	42°
Flood Angle	60°

Dynamic effect

Tilt	Manual 180°
Color system	RGBAS MIX color
Pixel matrix	Integral control
Strobe	0~20Hz
Dimmer	3 dimmer curves,0~100% dimming

Power

Voltage & frequency	100~240VAC , 50~60Hz
Power connection	Seetronic,IP65 PowerCon input/output, ≤6 sets in series @230V
Signal connection	Seetronic,IP65 XLR 3-Pin signal cables input/output, ≤32 in series
Power rating	300W@230V
Power factor	0.95/230V
Working environment	-20~45°C

Structure

Size	Product: 314*306*237mm; Package: 394*386*317mm
Weight	N.W.: 6.6 kg; G.W.: 7.7Kg
Protect grade	IP65
Heat dissipation system	Fans heat dissipation
Housing	Die-cast aluminum, black (color customizable)
Install	Standing on the ground, vertical hanging, side hanging

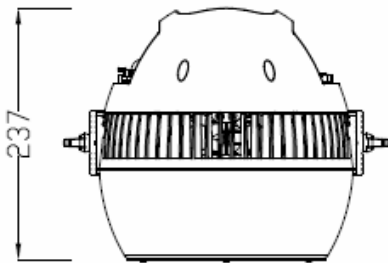
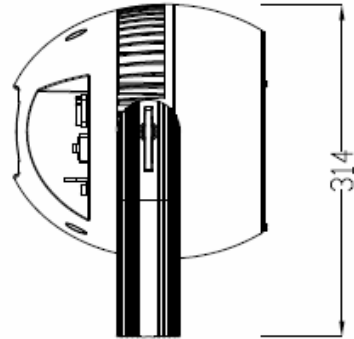
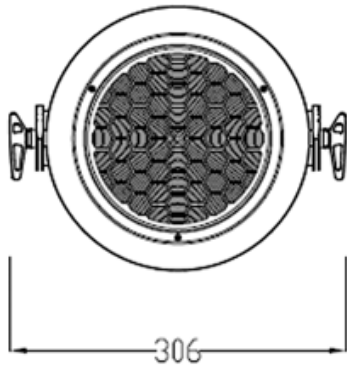
Control

Control mode	DMX512/ RDM
DMX Channel	1CH/5CH/8CH/9CH
Display	TFT display with 4 touch buttons
Renovate rate	600Hz/1200Hz/2000Hz/4000Hz/6000Hz/25KHz

Accessory

Standard	EU IP65 Power cord 1PCS; Manual 1PCS
Optional	Bandoor

The Product Dimensional Drawings



Warranty

Please refer to your local dealer or please contact Eventec

Website: www.eventec.com.au