

EVENT LIGHTING

DELUGE24X12BH

Outdoor RGBWAU Wash

USER MANUAL



For safety, please read this user manual carefully before initial use.

Event Lighting reserves the right to revise the manual at any time. Information and specifications within this manual are subject to change without notice. Event Lighting assumes no liability or responsibility for any errors or omissions. Please consult Event Lighting for any clarification or information regarding this item.

Version: 1 (25 July 2022)

Safety Instructions

Warning

- Do not open this device, there is no user-serviceable parts inside. Risk of electric shock.
- Do not look at the light source when the device is on.

Caution: This unit's housing may be hot during and after operation.

- Install this device in a location with adequate ventilation, at least 50 cm from adjacent surfaces.
- Do not leave any flammable material within 50 cm of this unit while operating or connected to power.
- Use a safety chain when mounting this device overhead.
- This product is rated IP65, meaning it is protected against dust and water jets from all directions. Do not operate this device in any location where excessive heat or water beyond the IP65 specification may affect it.
- Do not operate this device if the housing, lenses, or cables appear damaged.
- Do not connect this device to a dimmer or rheostat.
- ONLY connect this device to a grounded and protected circuit.
- ONLY use the hanging bracket to carry this device.
- In case of a serious operating problem, stop using immediately.
- The maximum ambient temperature is 40° C. Do not operate this device at higher temperatures.

Power Input and Power Linking

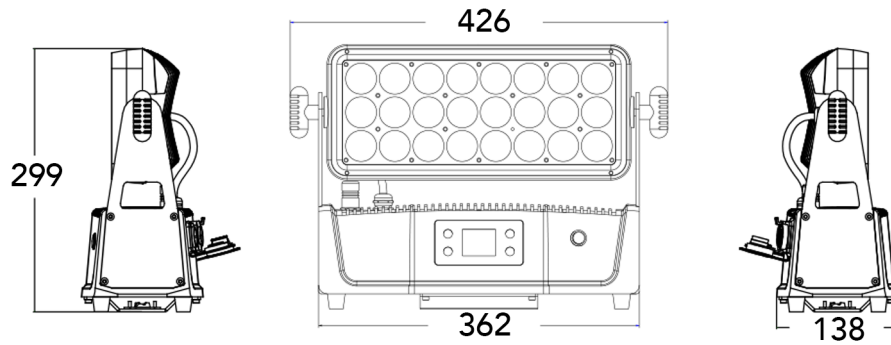
This device has an auto-switching power supply that works with input voltage range of 100~240 VAC, 50/60 Hz.

Link up to a maximum of 15A. Do NOT exceed this.

Product Installation

- This fixture can be mounted in many orientations provided each individual fixture is secured by the use of the correct mounting bracket.
- Use a safety chain when mounting this device overhead.

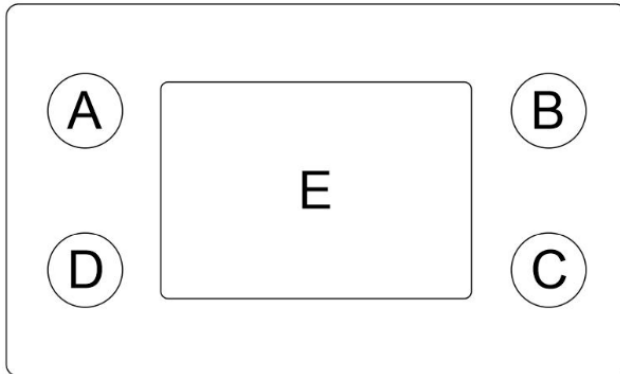
Dimensions



Lux Chart

Lux	@30°				
	1m	2m	3m	4m	5m
	Ø0.54	Ø1.07	Ø1.61	Ø2.14	Ø2.68
R	4,760	1,280	596	336	232
G	7,560	2,160	958	550	372
B	14,120	3,980	1,800	1,016	680
W	11,400	3,160	1,420	815	540
A	2,920	886	372	218	168
UV	3,200	886	415	246	160
Full	34,200	9,360	4,340	2,480	1,580

Menu Operation



Menu (A) – Move up a level.

Up (B) – Move selection up one item.

Down (C) – Move selection down one item.

Enter (D) – Select / Move down a level.

Menu

Level 1	Level 2	Level 3	Level 4	Description
DMX Setting	DMX address	000-512		Set DMX Address
	Channel	6ch		6 channel DMX mode
		11ch		11 channel DMX mode
	W-DMX	On/off		Turn Wireless DMX on/off
	W-DMX Mode	W-DMX	Receiver	Delete Connection
			Transmitter	Delete Connection
		EL Mode		Create Connection
	Channel List	6ch		6 channel DMX mode list
11ch			11 channel DMX mode list	
System Setting	Display Sleep			Open/10s/20s/30s
	Dimmer Mode	Linear		Linear dimming curve
		Square		Square dimming curve
		Log		Logarithmic dimming curve
	Power Setting	High		Highest brightness, shorter battery life
		Normal		Balanced brightness and battery life
		ECO		Lower brightness, longest battery life
	Button Lock	On/off		To unlock, press: UP-DOWN-UP-DOWN-ENTER
Lost DMX	Clear		Blackout when DMX signal lost	
	Hold		Maintain last setting when DMX signal lost	
Powered	Yes/No		Blackout if mains power lost	
Reset	Yes/No		Reset to factory default	
Manual Control	Manual Dimming	R/G/B/W/A/UV		Manual dimmers for all colours (0-255)
		Strobe		Master strobe speed (0-99)
	Static Colour	C1-C36		Set a static colour
	Auto	Jump		Colour jump mode, adjustable speed (0-99)
		Fade		Colour fade mode, adjustable speed (0-99)
		Pulse		Colour pulse mode, adjustable speed (0-99)
		Combined		Combination of jump, fade and pulse, adjustable speed (0-99)
	Timer			Set auto mode runtime
	Clear	Yes/No		Reset manual dimmer value, strobe speed, auto speed to 00
	User Colour			Set a custom colour

	User Run			Run the custom colour
Information	Work Time			Display power on time
	Temp			Display current temperature
	Version			Display software version number
	RDM UID			Display RDM UID

DMX Chart

This fixture is controlled by the universal DMX 512 protocol. The DMX address is the first channel used to receive instructions from the external controller. For independent control, each fixture must be assigned a unique address for each of its control channels. For example, this device has two channel modes: 6/11, if it's set to 6 channel mode, and there are several fixtures need to be independently controlled, we just simply address first fixture at 1, and second fixture at 7, third one at 13, etc.

- If multiple fixtures have the same DMX address, they will behave synchronically.
- Display will flash when no DMX signal is received.

Mode/Channel		Min DMX	Max DMX	Function
6 ch	11 ch			
	1	0	255	Master dimmer, 0-100%
1	2	0	255	Red dimmer, 0-100%
2	3	0	255	Green dimmer, 0-100%
3	4	0	255	Blue dimmer, 0-100%
4	5	0	255	White dimmer, 0-100%
5	6	0	255	Amber dimmer, 0-100%
6	7	0	255	UV dimmer, 0-100%
	8	0	9	Strobe, no function
		10	255	Strobe, slow to fast
	9	0	255	Built in static colours
	10	0	9	Auto mode, no function
		10	50	Auto jump
		51	100	Auto fade
		101	150	Auto pulse
		151	200	Auto combined
		201	255	Auto mode, no function
	11	0	255	Auto program speed, slow to fast

Technical Specifications

Photometrics

- Light Source: 24x 12W RGBWAU LEDs
- Beam Angle: 30°
- PWM: 20,000 Hz
- LED Lifespan: 50,000 hours

Effects

- Dimming: 0-100%
- Strobe: 1-20 Hz

Power

- Input Voltage: 100-240V AC, 50/60 Hz
- Power Consumption: 288W
- Connection: Seetronic True1 outdoor in/out
- Battery: 24,000 mAh, 24V
- Battery Charge Time: 6.5 hours

Control

- Operation Modes: DMX, Wireless DMX, auto, manual
- DMX Channels: 6/11
- Control Interface: Outdoor 5-pin XMR in/out
- Built-in Programming: 4 auto modes
- Display: 4-button LCD

Housing

- Materials: Die-cast aluminium, matte black finish
- Cooling: Fanless
- IP Rating: IP65
- Dimensions: 426x138x299 mm
- Net Weight: 10.7 kg

Optional Accessories

- Barn door
- Filter frame

Warranty

Please refer to your local dealer or please contact Event Lighting Pty Ltd.