

EVENT LIGHTING

DELUGE27X15

Outdoor RGBW Wash

USER MANUAL



For safety, please read this user manual carefully before initial use.

Event Lighting reserves the right to revise the manual at any time. Information and specifications within this manual are subject to change without notice. Event Lighting assumes no liability or responsibility for any errors or omissions. Please consult Event Lighting for any clarification or information regarding this item.

Version: 1 (1 September 2022)

Safety Instructions

Warning

- Do not open this device, there is no user-serviceable parts inside. Risk of electric shock.
- Do not look at the light source when the device is on.

Caution: This unit's housing may be hot during and after operation.

- Install this device in a location with adequate ventilation, at least 50 cm from adjacent surfaces.
- Do not leave any flammable material within 50 cm of this unit while operating or connected to power.
- Use a safety chain when mounting this device overhead.
- This product is rated IP65, meaning it is protected against dust and water jets from all directions. Do not operate this device in any location where excessive heat or water beyond the IP65 specification may affect it.
- Do not operate this device if the housing, lenses, or cables appear damaged.
- Do not connect this device to a dimmer or rheostat.
- ONLY connect this device to a grounded and protected circuit.
- ONLY use the hanging bracket to carry this device.
- In case of a serious operating problem, stop using immediately.
- The maximum ambient temperature is 40° C. Do not operate this device at higher temperatures.

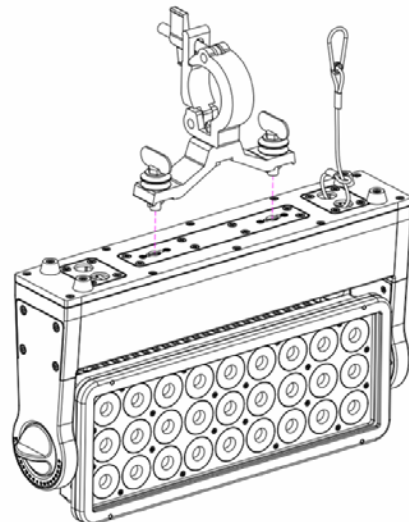
Power Input and Power Linking

This device has an auto-switching power supply that works with input voltage range of 100~240 VAC, 50/60 Hz.

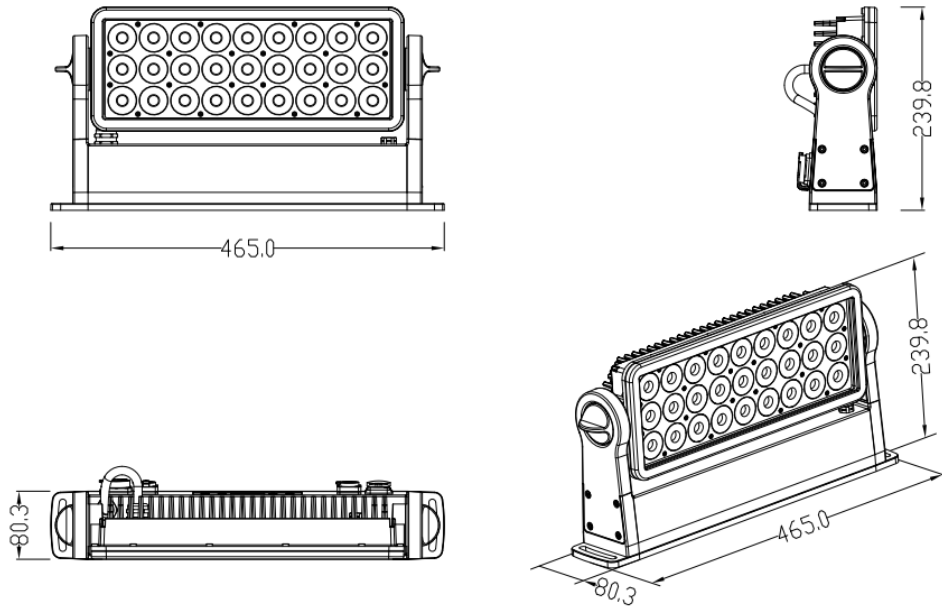
Link up to a maximum of 15A. Do NOT exceed this.

Product Installation

- This fixture can be mounted in many orientations provided each individual fixture is secured by the use of correct mounting bracket.
- Use a safety chain when mounting this device overhead.



Dimensions



Lux Chart

Lux @ 8°		
	5m	10m
R	2,300	630
G	4,350	1,130
B	970	277
W	7,500	2,033
Full	13,100	3,360

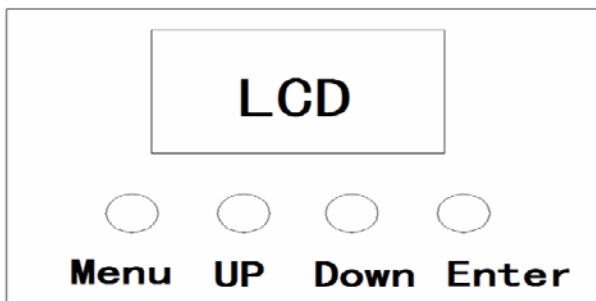
Lux @ 15°		
	5m	10m
R	1,280	530
G	3,338	1,030
B	810	220
W	5,421	1,590
Full	9,550	2,920

Lux @ 25°		
	5m	10m
R	505	126
G	1,148	286
B	220	52
W	1,143	363
Full	2,916	742

Lux @ 45°		
	5m	10m
R	110	28
G	272	68
B	50	12
W	311	78
ALL	640	160

Menu Operation

The password to unlock the fixture: 8888



Menu – Move up a level.

Up – Move selection up one item.

Down – Move selection down one item.

Enter – Select / Move down a level.

Menu

Level 1	Level 2	Description
DMX Address	001-512	Set DMX address
DMX Channel Mode	4 Channel Mode	4 channel DMX mode
	7 Channel Mode	7 channels DMX mode
	8 Channel Mode	8 channels DMX mode
Dimmer Mode	Dimmer Mode 1	
	Dimmer Mode 2	
	Dimmer Mode 3	
Dimmer Curve	Dimmer Curve 1	
	Dimmer Curve 2	
	Dimmer Curve 3	
	Dimmer Curve 4	
LED Frequency	600 Hz	
	1200 Hz	
	2000 Hz	
	4000 Hz	
	6000 Hz	
	25 kHz	
Manual Colour	Red	000-255
	Green	000-255
	Blue	000-255
	White	000-255
Auto Program	Auto Color	
	Auto Fade	
Language	English	
	Chinese	
Display	Normal	
	Reverse	Flip 180°
Backlight	On	Always on
	30s	Off after 30 seconds of inactivity
Fixture test	Red	
	Green	
	Blue	
	White	
Factory Settings	No	
	Yes	Reset to factory settings
System Info	RDM UID	
	Version	Software Version
	DMX Channel	Current DMX channel mode
	Run time	Total usage time
	User time	Time since power on
	Temperature	Current temperature

DMX Chart

This fixture is controlled by the universal DMX 512 protocol. The DMX address is the first channel used to receive instructions from the external controller. For independent control, each fixture must be assigned a unique address for each of its control channels. For example, this device has three channel modes: 4/7/8, if it's set to 7 channel mode, and there are several fixtures need to be independently controlled, we just simply address first fixture at 1, and second fixture at 8, third one at 15, etc.

- If multiple fixtures have the same DMX address, they will behave synchronically.
- Display will flash when no DMX signal is received.

Mode/Channel			Function	Min DMX	Max DMX	Description
4 Ch	7 Ch	8 Ch				
	1	1	Dimmer	0	255	Dimmer, 0-100%
	2	2	Strobe	0	255	Strobe, slow to fast
1	3	3	Red	0	255	Red, 0-100%
2	4	4	Green	0	255	Green, 0-100%
3	5	5	Blue	0	255	Blue, 0-100%
4	6	6	White	0	255	White, 0-100%
	7	7	Colour Temperature	0	255	Colour temperature
		8	Colour Macro	0	255	Colour macros

Technical Specifications

Photometrics

- Light Source: 27x 15W RGBW LEDs
- CRI: ≥ 90
- Beam Angle: 25°
- Optional Lenses: 8°/15°/45°
- Output: 2,916 lux @ 5m @ 25°
- LED Lifespan: 50,000 hours

Effects

- Dimming: 0~100%
- Strobe: 0.3-20 Hz

Movement

- Tilt: 130°, manual

Power

- Input Voltage: 100~240V AC, 50/60 Hz
- Power Consumption: 350 W
- Connection: True1 in/out

Control

- Protocol: DMX512
- Operation Modes: DMX, auto, manual, sound active, master/slave
- DMX Channels: 7/14/42
- Interface: 3-pin XLR in & out
- Display: 4-button 2.4-inch LCD control panel
- Cooling: Fanless

Housing

- Materials: Aluminium
- Finishing: Matte black
- IP rating: IP65
- Dimensions: 465*81*240 mm
- Net Weight: 6.6 kg

Warranty

Please refer to your local dealer or please contact Event Lighting Pty Ltd.