



FOLLOW600

600W LED Followspot

USER MANUAL



For safety, please read this user manual carefully before initial use.

Event Lighting reserves the right to revise the manual at any time. Information and specifications within this manual are subject to change without notice. Event Lighting assumes no liability or responsibility for any errors or omissions. Please consult Event Lighting for any clarification or information regarding this item.

Ver 1.0 (03.03.2025)

CONTENTS

Safety Instructions	2
LUX Chart	3
Dimensions	3
Installation	4-5
DMX Chart.....	6
Colour Wheel.....	6
Controls	7
Mounting the Colour Changer	7
Specifications	8
Warranty.....	8

Safety Instructions

WARNING

- Only qualified personnel should handle the installation, operation, and maintenance of this device.
- Users must strictly adhere to the instructions provided in this manual.
- Unqualified individuals are not permitted to open the housing cover or operate the device. Failure to comply with this requirement will void any liability for defects or issues on the part of the dealer.
- The device must be protected from rain and moisture at all times.

Power Supply and Safety Guidelines

- **Power Supply:** AC100V-240V, 50Hz/60Hz.
- **Before Connection:** Ensure the power switch is off, and verify that the power plug, outlet, and earth connection are in good condition before connecting the device to the mains.
- **Use Qualified Components:** Only use a certified power plug and outlet. Never connect the power cord of this device to other electrical equipment.
- **Handling Precautions:** When moving or installing the device, ensure it does not come into contact with metal parts or other materials that could cause damage.
- **Power Disconnection:** Always disconnect the device from the mains during installation, dismantling, or maintenance.

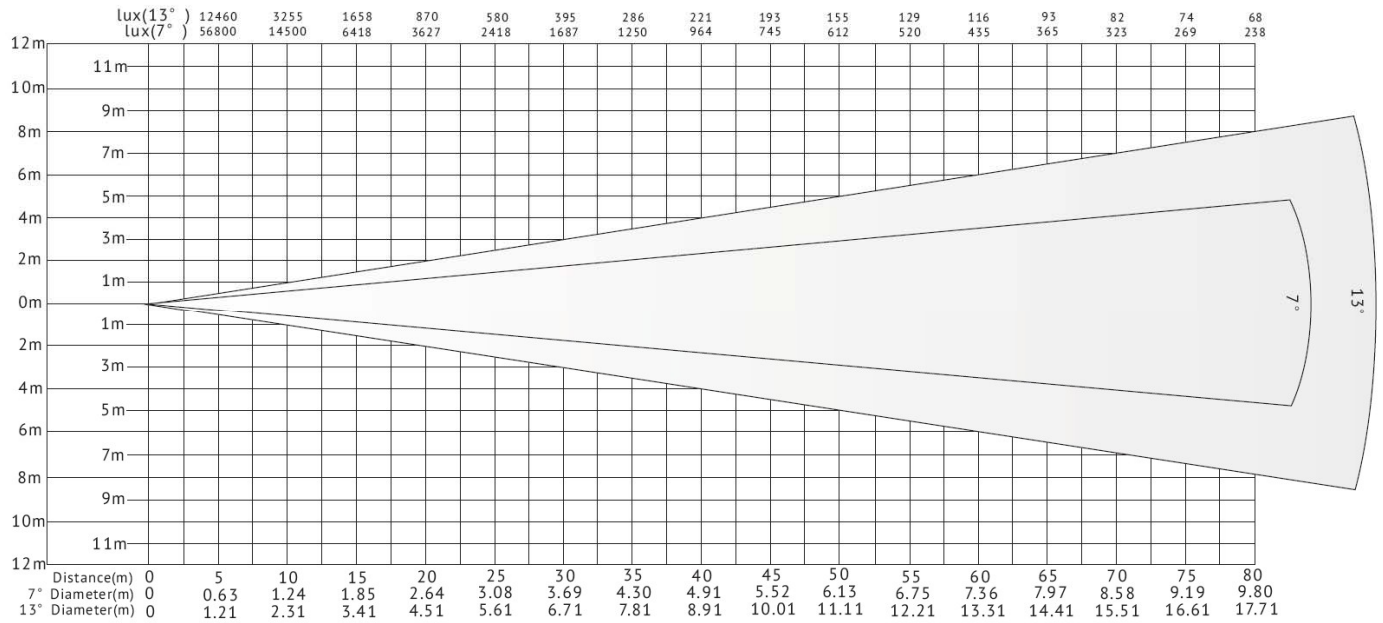
Installation and Operation

- **Distance Requirements:** Maintain a minimum distance of 50 cm between the light output and the illuminated surface.
- **Surface Safety:** Install the device only on non-flammable surfaces. To ensure proper ventilation, leave at least 50 cm of free space around the device. Note that heat-sensitive objects may deform or become damaged due to emitted heat.
- **Heat Warning:** The housing becomes very hot during operation. Allow the device to cool for at least 15 minutes after switching it off before handling it.
- **Temperature Limits:** Do not exceed the maximum ambient temperature (Ta) of 45°C or the maximum housing temperature (Tb) of 60°C.
- **Indoor Use Only:** This device is designed exclusively for indoor use.

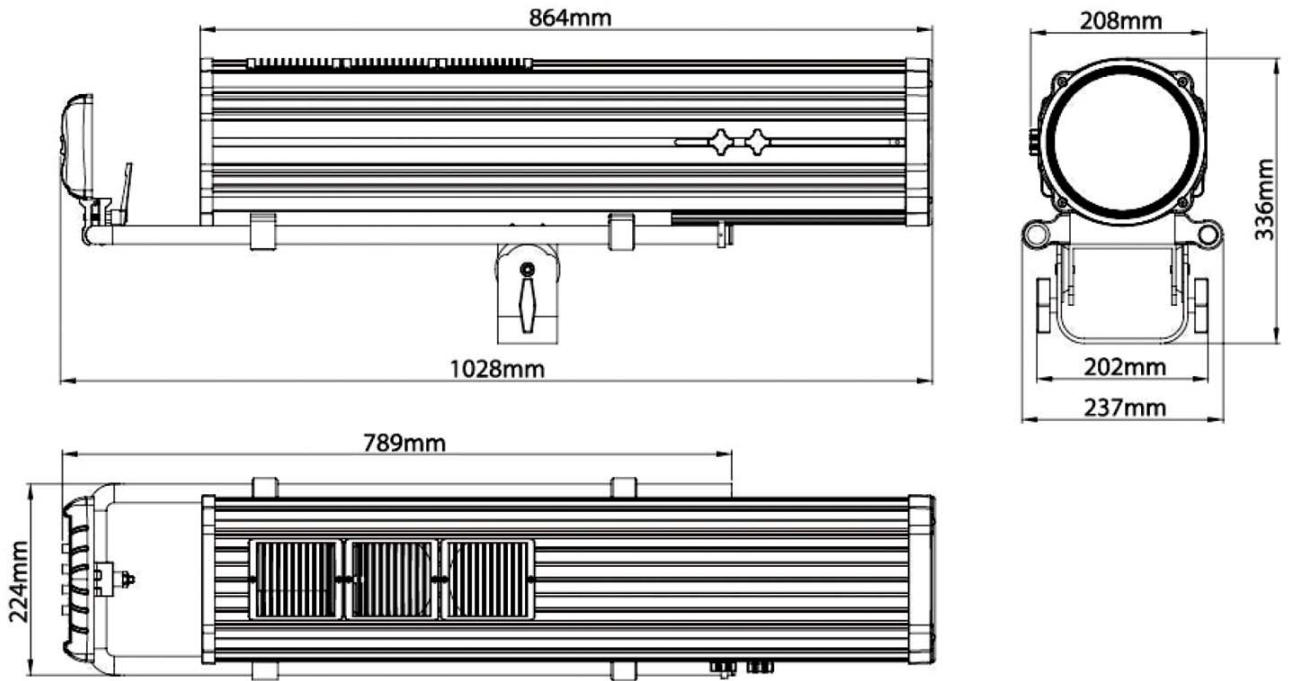
Maintenance and Cleaning

- **Damaged Components:** Replace any cracked protective shields, filters, or lenses immediately.
- **Cleaning Schedule:** Clean the protective shield, filters, and lens weekly, as smoke fluid residue can accumulate and quickly reduce light output.

LUX Chart

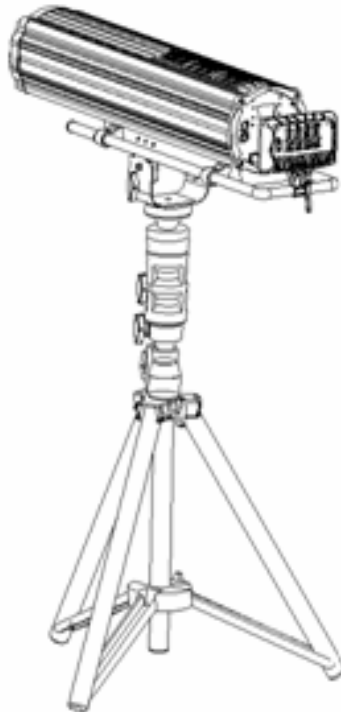


Dimensions



1. Installation

- During installation, ensure the device is kept away from heat-sensitive and explosive objects. Maintain a minimum clearance of 50 cm of free space around the device.
- First, secure the mounting bracket to the device.
- Place the device on a stand, ensuring the stand is stable and level on the ground. Tighten all fasteners securely.
- Use provided stand or any qualified stand capable of supporting at least ten times the weight of the device.



2. Connection to Mains

- Only a qualified person with an electrical engineering certification should handle the power connection.
- Connect the device to the mains using the supplied power plug, ensuring the earth connection is properly secured.
- Power specifications: 600W, input power supply AC 100V–240V, 50/60Hz.

3. Replacing the Fuse

Before replacing the fuse, disconnect the device from the mains. Follow these steps:

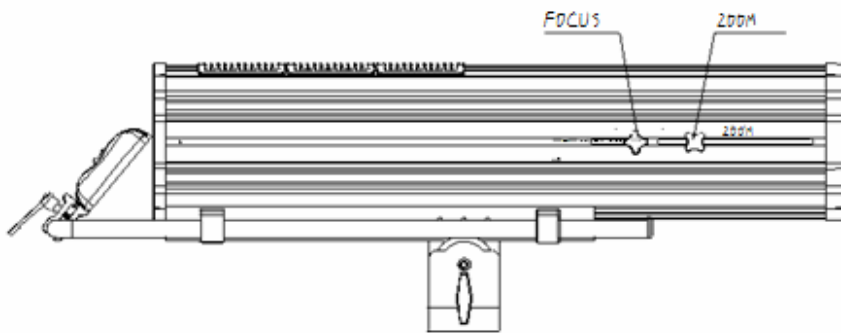
- Unscrew the fuse holder on the rear panel with a suitable screwdriver (turn counterclockwise).
- Remove the old fuse from the fuse holder.
- Insert the new fuse into the fuse holder.
- Reinstall the fuse holder into the housing and tighten it securely.

4. Focus and Zoom

The objective lens cylinder is typically retracted during manufacturing. After connecting the device to the mains, you can adjust the focus:

1. Loosen the screws securing the lens cylinder.
2. Extend the lens cylinder until the projected white light forms a clear circular image.
3. Tighten the screws securely.

If the projection distance changes, repeat the steps above to refocus the projector.



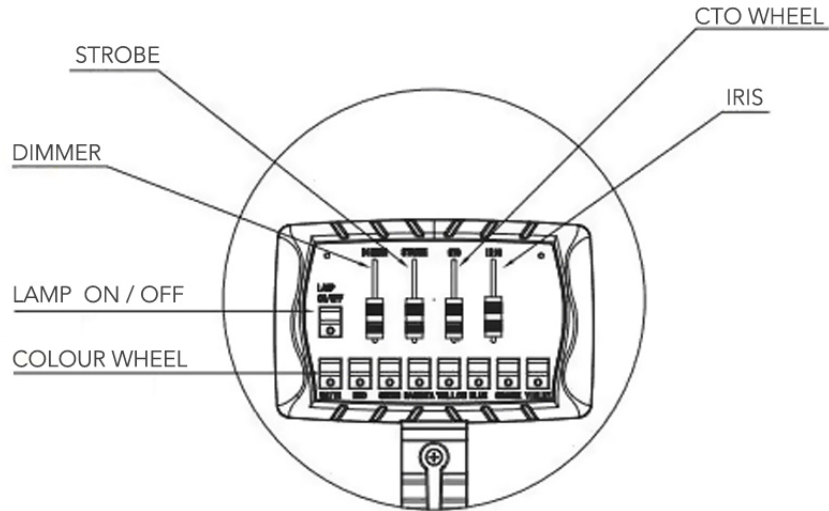
DMX Chart

DMX CH	DMX Value	Function
CH1	000←→255	Dimmer 0-100%
CH2	000←→255	Strobe, from slow to fast
CH3	000←→255	Iris
CH4	000←→255	Colour Wheel
CH5	000←→255	Colour Temperature

COLOUR WHEEL

Open		White
Colour 1		Red
Colour 2		Green
Colour 3		Magenta
Colour 4		Yellow
Colour 5		Blue
Colour 6		Orange
Colour 7		Violet

CONTROLS



MOUNTING THE COLOUR CHANGER (included)

The FOLLOW600 includes a 6-colour colour changer unit, which is packed separately in the flight case. If required, this unit can be mounted onto the lens tube of the followspot.

Installation Steps:

- Pull up the clip mounted on the top of the lens tube of the followspot.
- Position the color changer unit on the front plate of the followspot, making sure that the color levers are positioned on the left-hand side of the followspot when viewed from the front.
- Carefully place the colour changer onto the front of the followspot by lowering it into position until it sits properly in the holders on the lens tube.
- Lock the clip to fix the colour changer unit in place.
- Use the provided safety wire to secure the colour changer unit to the followspot.

TECHNICAL SPECIFICATIONS

- **Lamp:** 600W high-brightness LED module
- **Color Temperature:** 7000-7500K
- **LED Lifetime:** Over 50,000 hours
- **Luminous Flux:** 42,000–46,000 lumens
- **Power Supply:** AC 100V–240V, 50Hz/60Hz
- **Power Consumption:** 680W
- **Color Wheel:** 7 colors + open white
- **CTO Wheel:** 3200K, 4500K, 5600K
- **Focus and Zoom:** Manual adjustment
- **Adjustable Beam Angle:** 7°–13°
- **Dimmer:** 0–100% linear dimming
- **Channel Mode:** 5 channels
- **Strobe:** 1–20 Hz
- **Operating Temperature:** -20°C to 45°C
- **Control Mode:** DMX512
- **Control Interface:** 5-pin XLR
- **Dimensions of the followspot:** 1028 x 224 x 336 mm
- **Net Weight of the Followspot:** 14.4 kg
- **Road Case Size:** 1045 x 450 x 450 mm
- **Gross Weight of the Followspot and Stand packed in the Road Case:** 50 kg

WARRANTY

Please refer to your local dealer or please contact Eventec

Website: www.eventec.com.au