



FXGOBO100

Gobo Effect Light with 100W LED

USER MANUAL



For safety, please read this user manual carefully before initial use.

Event Lighting reserves the right to revise the manual at any time. Information and specifications within this manual are subject to change without notice. Event Lighting assumes no liability or responsibility for any errors or omissions. Please consult Event Lighting for any clarification or information regarding this item.

INTRODUCTION

The FXGOBO100 is a powerful 100W LED effect light. It produces stunning colored gobo effects to cover a wide area of dance floor thanks to its wide beam angle. Ideal for small clubs, bars, parties, etc. To optimize the performance of this product, please read the user manual carefully before use.

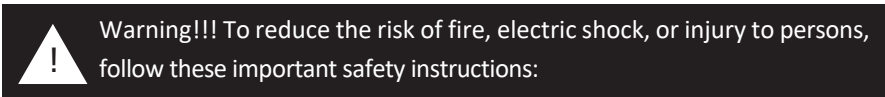
1.1 Unpacking

The following items are included in the box:

- 1 x FXGOBO100
- 1 x Power Cord

Carefully unpack the carton, check the contents to ensure that all parts are present, and have been received in good condition. Contact your supplier immediately and retain packing material for inspection if any part is missing or damaged.

1.2 Safety Instructions



- The product is for indoor use only.
- Always turn off, unplug power and allow fixture to cool before servicing.
- Ensure that fixture is properly grounded.
- Please keep this User Guide for future consultation.
- Always make sure that you are connecting to the proper voltage and that the line voltage you are connecting to is not higher than that stated on decal or rear panel of the fixture.
- Always disconnect from power before servicing or replacing fuse.
- Make sure power cord is never crimped or damaged.

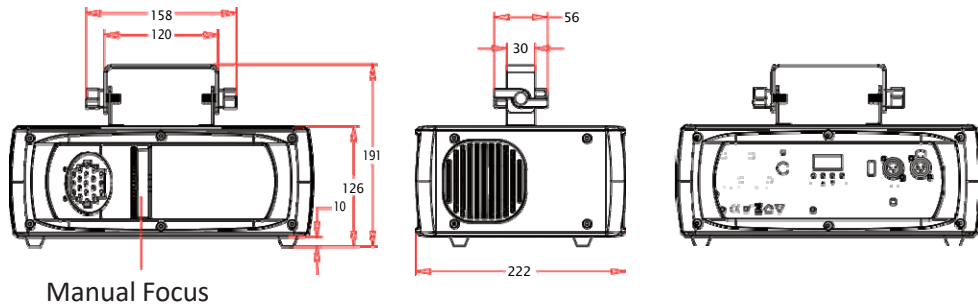
Caution!

Avoid looking directly into the LED light beam at a close distance!

1.3 Features

- Very wide beam angle: 75°
- Colors: 7 colors+white
- Gobos: 6 rotating Gobos+open, shaking
- Focus: Manual
- Dimmer: 0-100%
- Strobe: 0-30 Hz
- Working modes: DMX, Auto, Sound, Master/Slave
- 3 DMX modes: 2/6/7
- Display: LED display with 4 buttons

1.4 Product overview



2. SETUP

2.1 Mounting

The LED Effect is fully operational in any mounting position, hanging upside-down, side mounted, or set on a flat level surface, etc.

IMPORTANT!!! Safety cables must always be used when unit is ceiling or truss mounted. The safety cable must be capable of holding 10 times the weight of the fixture.

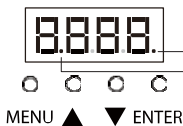
2.3 AC Power

The fixture is designed to work on AC 90-240V 50-60Hz. All units must be powered directly from a switched circuit. This unit cannot be run on a rheostat or dimmer circuit even if used solely for a 0% to 100% switching.

WARNING!!! All fixtures must be connected to circuits with a suitable Earth Ground.

OPERATION INSTRUCTIONS

3.1 Control Panel



MENU: to scroll through main menu or move left.
 UP: to scroll through main menu or increase value.
 DOWN: to scroll through main menu or decrease value.
 ENTER: to move right or confirm setting

Mode indicator flashing = DMX/Slave mode
 solid on = Master mode

Sound indicator flashing = fixture in sound mode

3.2 Menu Map

| 1st Menu | 2nd Menu | 3rd Menu | Description |
|----------|-------------|-----------|--|
| Addr | A001 - A512 | | Set DMX address |
| Chnd | Ch02/06/07 | | Select DMX channel mode |
| Auto | Aut1-Aut8 | SP01-SP99 | Select Auto program and speed |
| Soun | Sou1-Sou8 | SE00-SE98 | Select Sound program and sensitivity level |
| NAun | Dinn | 000-255 | Manual Dimmer |
| | Stro | 000-255 | Manual Strobe |
| | Colo | 000-255 | Manual Color |
| | Gobo | 000-255 | Manual Gobo |
| | rGob | 000-255 | Manual Gobo rotating |
| | rotA | 000-255 | Manual Mirror rotating |
| SEt | diSP | dSiP | Display reverse |
| | dnSt | on/off | DMX lost * |
| | rEst | YES/NO | Factory default setting |
| inFo | uEr | | Version number |
| | tEMP | | Temperature |
| | Hour | XXXX | Total fixture hours |

*DMX Lost=on, the fixture will keep its last status when signal is off in DMX mode.
 DMX Lost=off, the fixture will black out when signal is off in DMX mode.

3.2 DMX channel

2-channel mode

| Ch | Function | Value | Description |
|----|----------|---------|-------------|
| 1 | Macro | 000-012 | No function |
| | | 013-045 | Maro 1 |
| | | 046-080 | Maro 2 |
| | | 081-150 | Maro 3 |
| | | 151-185 | Maro 4 |
| | | 186-220 | Maro 5 |
| | | 212-255 | Maro 6 |

| Ch | Function | Value | Decription |
|----|-----------------|---------|--|
| 2 | Mirror rotating | 000-127 | 0-360° indexing |
| | | 128-169 | Clockwise rotating from fast to slow |
| | | 170-211 | Counter clockwise rotating from slow to fast |
| | | 212-255 | Rotating back and forth from slow to fast |

6-channel mode

| Ch | Function | Value | Decription |
|---------|---------------------------------------|---------|---------------------------------|
| 1 | Dimmer | 000-255 | 0-100% |
| 2 | Strobe | 000-031 | Closed |
| | | 032-063 | Open |
| | | 064-095 | Pulse strobe from slow to fast |
| | | 096-127 | Open |
| | | 128-159 | Fade strobe from slow to fast |
| | | 160-191 | Open |
| | | 192-223 | Random strobe from slow to fast |
| | | 224-255 | Open |
| 3 | Color | 0-7 | White |
| | | 0-15 | White+Color1 |
| | | 16-23 | Color1 |
| | | 24-31 | Color1+Color2 |
| | | 32-39 | Color2 |
| | | 40-47 | Color2+Color3 |
| | | 48-55 | Color3 |
| | | 56-63 | Color3+Color4 |
| | | 64-71 | Color4 |
| | | 72-79 | Color4+Color5 |
| | | 80-87 | Color5 |
| | | 88-95 | Color5+Color6 |
| | | 96-103 | Color6 |
| | | 104-111 | Color6+Color7 |
| | | 112-119 | Color7 |
| | | 120-127 | Color7+Color8 |
| 128-191 | Forward Color flow from fast to slow | | |
| 192-255 | Backward Color flow from slow to fast | | |
| 4 | Gobo | 0-7 | Open |
| | | 8-14 | Gobo1 |
| | | 15-21 | Gobo 2 |
| | | 22-28 | Gobo 3 |
| | | 29-35 | Gobo 4 |

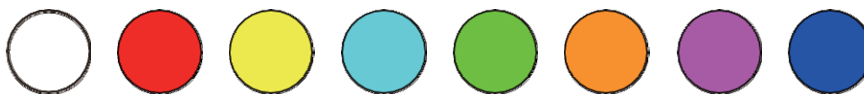
| | | | |
|---|-----------------|---------|--|
| 4 | Gobo | 36-42 | Gobo 5 |
| | | 43-49 | Gobo 6 |
| | | 50-56 | Open shaking from slow to fast |
| | | 57-63 | Gobo1 shaking from slow to fast |
| | | 64-70 | Gobo 2 shaking from slow to fast |
| | | 71-77 | Gobo 3 shaking from slow to fast |
| | | 78-84 | Gobo 4 shaking from slow to fast |
| | | 85-91 | Gobo 5 shaking from slow to fast |
| | | 92-119 | Gobo 6 shaking from slow to fast |
| | | 120-184 | Forward Gobo flow from fast to slow |
| | | 185-190 | Stop |
| | | 191-255 | Backward Gobo flow from slow to fast |
| 5 | Gobo Rotating | 0-127 | 0-360° indexing |
| | | 128-190 | Clockwise rotating from fast to slow |
| | | 191-192 | Stop |
| | | 193-255 | Counter clockwise rotating from slow to fast |
| 6 | Mirror rotating | 000-127 | 0-360° indexing |
| | | 128-169 | Clockwise rotating from fast to slow |
| | | 170-211 | Counter clockwise rotating from slow to fast |
| | | 212-255 | Rotating back and forth from slow to fast |

7-channel mode

| Ch | Function | Value | Description |
|----|----------|---------|---------------------------------|
| 1 | Dimmer | 000-255 | 0-100% |
| 2 | Strobe | 000-031 | Closed |
| | | 032-063 | Open |
| | | 064-095 | Pulse strobe from slow to fast |
| | | 096-127 | Open |
| | | 128-159 | Fade strobe from slow to fast |
| | | 160-191 | Open |
| | | 192-223 | Random strobe from slow to fast |
| | | 224-255 | Open |
| 3 | Color | 0-7 | White |
| | | 0-15 | White+Color1 |
| | | 16-23 | Color1 |
| | | 24-31 | Color1+Color2 |
| | | 32-39 | Color2 |
| | | 40-47 | Color2+Color3 |
| | | 48-55 | Color3 |

| | | | |
|---------|--------------------------------------|---------|--|
| 3 | Color | 56-63 | Color3+Color4 |
| | | 64-71 | Color4 |
| | | 72-79 | Color4+Color5 |
| | | 80-87 | Color5 |
| | | 88-95 | Color5+Color6 |
| | | 96-103 | Color6 |
| | | 104-111 | Color6+Color7 |
| | | 112-119 | Color7 |
| | | 120-127 | Color7+Color8 |
| | | 128-191 | Forward Color flow from fast to slow |
| | | 192-255 | Backward Color flow from slow to fast |
| 4 | Gobo | 0-7 | Open |
| | | 8-14 | Gobo1 |
| | | 15-21 | Gobo 2 |
| | | 22-28 | Gobo 3 |
| | | 29-35 | Gobo 4 |
| | | 36-42 | Gobo 5 |
| | | 43-49 | Gobo 6 |
| | | 50-56 | Open shaking from slow to fast |
| | | 57-63 | Gobo1 shaking from slow to fast |
| | | 64-70 | Gobo 2 shaking from slow to fast |
| | | 71-77 | Gobo 3 shaking from slow to fast |
| | | 78-84 | Gobo 4 shaking from slow to fast |
| | | 85-91 | Gobo 5 shaking from slow to fast |
| | | 92-119 | Gobo 6 shaking from slow to fast |
| 120-184 | Forward Gobo flow from fast to slow | | |
| 185-190 | Stop | | |
| 191-255 | Backward Gobo flow from slow to fast | | |
| 5 | Gobo Rotating | 0-127 | 0-360° indexing |
| | | 128-190 | Clockwise rotating from fast to slow |
| | | 191-192 | Stop |
| | | 193-255 | Counter clockwise rotating from slow to fast |
| 6 | Macro | 000-012 | No function |
| | | 013-255 | Macro selection (see 2-channel mode) |
| 7 | Mirror rotating | 000-127 | 0-360° indexing |
| | | 128-169 | Clockwise rotating from fast to slow |
| | | 170-211 | Counter clockwise rotating from slow to fast |
| | | 212-255 | Rotating back and forth from slow to fast |

COLORS



Open Red Yellow Cyan Green Orange Pink Blue

GOBOS



Gobo1 Gobo2 Gobo3 Gobo4 Gobo5 Gobo6

General Maintenance

4.1 Fuse Replacement

- Unscrew the fuse holder and remove the damaged fuse.
- Replace with the exact same type fuse and screw the fuse holder back in its place.

5. Specifications

Source: 100 white LED, 9000K

Beam angle: 75°

Power consumption: 150W Max.

Power supply: 100~240V, 50-60Hz

Fuse: F4A/250V

Dimensions: 320*220*200 mm

Weight: 4.50 kg

WARRANTY

Please refer to your local dealer or please contact Event Lighting Pty Ltd

Website: www.event-lighting.com.au