



FXWAVE100

Waterwave Effect Light with 100W LED

USER MANUAL



For safety, please read this user manual carefully before initial use.

Event Lighting reserves the right to revise the manual at any time. Information and specifications within this manual are subject to change without notice. Event Lighting assumes no liability or responsibility for any errors or omissions. Please consult Event Lighting for any clarification or information regarding this item.

INTRODUCTION

The FXWAVE100 is one simulated water effect. With a 100W cool white LED source and 5 DMX channels, this versatile fixture is perfect for projecting onto walls, ceilings, or floors, and can be used with or without fog. Ideal for small clubs, bars, parties, etc. To optimize the performance of this product, please read the user manual carefully before use.

1.1 Unpacking

The following items are included in the box:

- 1 x FXWAVE100
- 1 x Power Cord

Carefully unpack the carton, check the contents to ensure that all parts are present, and have been received in good condition. Contact your supplier immediately and retain packing material for inspection if any part is missing or damaged.

1.2 Safety Instructions



Warning!!! To reduce the risk of fire, electric shock, or injury to persons, follow these important safety instructions:

- The product is for indoor use only.
- Always turn off, unplug power and allow fixture to cool before servicing.
- Ensure that fixture is properly grounded.
- Please keep this User Guide for future consultation.
- Always make sure that you are connecting to the proper voltage and that the line voltage you are connecting to is not higher than that stated on decal or rear panel of the fixture.
- Always disconnect from power before servicing or replacing fuse.
- Make sure power cord is never crimped or damaged.

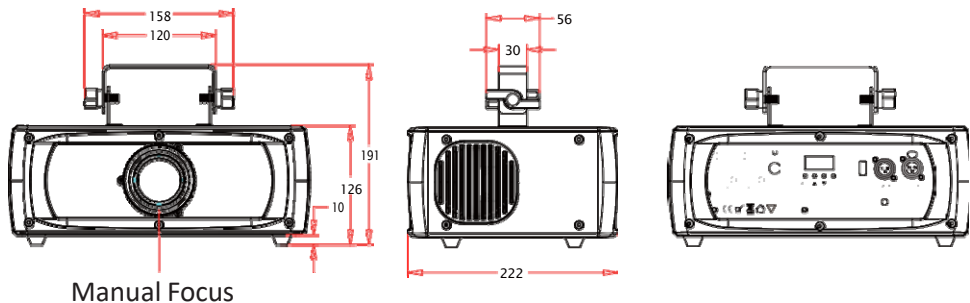
Caution!

Avoid looking directly into the LED light beam at a close distance!

1.3 Features

- Simulated water effect
- Beam angle: 45°
- Colors: 5 colors + white
- Water effect: 2 wheels
- Focus: Manual
- Dimmer: 0-100%
- Strobe: 0-30 Hz
- Working modes: DMX, Auto, Sound, Master/Slave
- DMX channels: 5ch
- Display: LED display with 4 buttons

1.4 Product overview



SETUP

2.1 Mounting

The LED Effect is fully operational in any mounting position, hanging upside-down, side mounted, or set on a flat level surface, etc.

IMPORTANT!!! Safety cables must always be used when unit is ceiling or truss mounted. The safety cable must be capable of holding 10 times the weight of the fixture.

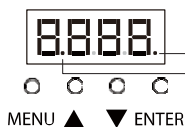
2.3 AC Power

The fixture is designed to work on AC 90-240V 50-60Hz. All units must be powered directly from a switched circuit. This unit cannot be run on a rheostat or dimmer circuit even if used solely for a 0% to 100% switching.

WARNING!!! All fixtures must be connected to circuits with a suitable Earth Ground.

OPERATION INSTRUCTIONS

3.1 Control Panel



MENU: to scroll through main menu or move left.
UP: to scroll through main menu or increase value.
DOWN: to scroll through main menu or decrease value.
ENTER: to move right or confirm setting
Mode indicator flashing = DMX/Slave mode
solid on = Master mode
Sound indicator solid on = fixture in sound mode

3.2 Menu Map

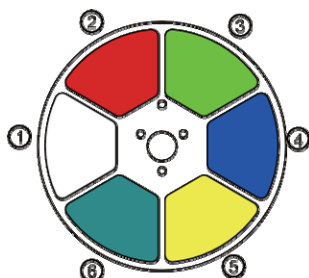
Addr	A001 - A512		Set DMX address
Chnd	Ch05		Select DMX channel mode
Auto	Aut1-Aut8	SP01-SP99	Select Auto program and speed
Soun	Sou1-Sou8	SE00-SE98	Select Sound program and sensitivity level
NAun	Dinn	000-255	Manual Dimmer
	Stro	000-255	Manual Strobe
	Colo	000-255	Manual Color
	rotA	000-255	Manual Water wheel 1 rotating
	rotb	000-255	Manual Water wheel 2 rotating
SEt	diSP	dSiP	Display reverse
	dnSt	on/off	DMX lost *
	rEst	YES/NO	Factory default setting
inFo	uEr		Version number
	tEMP		Temperature
	Hour	XXXX	Total fixture hours

*DMX Lost=on, the fixture will keep its last status when signal is off in DMX mode.
DMX Lost=off, the fixture will black out when signal is off in DMX mode.

3.2 DMX channel

5-channel mode

Ch	Function	Value	Decription
1	Dimmer	000-255	0-100%
2	Strobe	000-031	Closed
		032-063	Open
		064-095	Pulse strobe from slow to fast
		096-127	Open
		128-159	Fade strobe from slow to fast
		160-191	Open
		192-223	Random strobe from slow to fast
		224-255	Open
3	Color	0-9	White
		10-20	White+Color1
		21-31	Color1
		32-41	Color1+Color2
		42-52	Color2
		53-63	Color2+Color3
		64-73	Color3
		74-84	Color3+Color4
		85-95	Color4
		96-105	Color4+Color5
		106-116	Color5
		117-127	Color5+Color6
		128-191	Forward Color flow from fast to slow
		192-255	Backward Color flow from slow to fast
		4	Water wheel 1
128-191	Clockwise rotating from fast to slow		
192-255	Counter lockwise rotating from slow to fast		
5	Water wheel 2	0-127	0-360° indexing
		128-191	Clockwise rotating from fast to slow
		192-255	Counter lockwise rotating from slow to fast



- ① White
- ② Red
- ③ Green
- ④ Blue
- ⑤ Yellow
- ⑥ Dark Cyan

General Maintenance

4.1 Fuse Replacement

- a. Unscrew the fuse holder and remove the damaged fuse.
- b. Replace with the exact same type fuse and screw the fuse holder back in its place.

5. Specifications

Source: 100 white LED, 9000K

Power consumption: 140W Max.

Power supply: 100~240V, 50-60Hz

Fuse: F4A/250V

Dimensions: 320*220*200 mm

Weight: 4.50 kg

WARRANTY

Please refer to your local dealer or please contact Event Lighting Pty Ltd

Website: www.event-lighting.com.au