

KUNGFUPAO

SF-K2

USER MANUAL



DISCLAIMER	A1
PREFACE	A1
1 PRODUCT INTRODUCTION	A2
1.1 PRODUCT OVERVIEW	A2
1.2 PRODUCT ACCESSORIES	A3
1.3 BUTANE GAS	A3
2 TECHNICAL PARAMETER	A4
2.1 FUNCTIONAL CHARACTERISTICS	A4
3 SCREEN OPERATION GUIDE	A5
3.1 BACK PANEL INTRODUCTION	A5
3.2 DMX PARAMETER LIST	A6
4 SAFETY NOTICE	A6
5 MACHINE OPERATION	A8
5.1 ADJUST ANGLE	A8
5.2 INSTALL MACHINE	A9
5.3 INSTALL BUTANE GAS	A9
5.4 FILL GRANULE	A10
5.5 FILL GRANULE	A10
6 START TO OPERATE	A10
6.1 TURN ON MACHINE'S POWER	A11
6.2 DMX CONTROL	A11
6.3 IMPULSE CONTROL	A11
6.4 DISCONNECT POWER AND CLEAR	A11
7 FAILURE HANDLING	A12
8 WARRANTY INSTRUCTIONS	A12
9 WARRANTY CARD	A13

DISCLAIMER

Please read the manual carefully before installing and using this product. Failure to read or comply with this manual may result in injury to products and personnel, and Spark Fabrica shall not be responsible for this.

This product is a professional machine, we do not assume any responsibility for accidents or losses caused by these or maintenance of this product by personnel without professional training and permission.

If the information contained in the manual or the product specifications are changed, Spark Fabrica will not inform you further and responsible for any errors or omissions.

Our company reserves the right to modify the user manual at any time

PREFACE

This manual includes warning, caution and notice concerning the safe operation of equipment. These warning, caution and notice come with the following icons. Please read them carefully!

WARNING

This warning indicates a dangerous situation that may result in death or serious injury if not avoided.

CAUTION

This alert indicates a dangerous situation that may result in mild or moderate injury if not avoided.

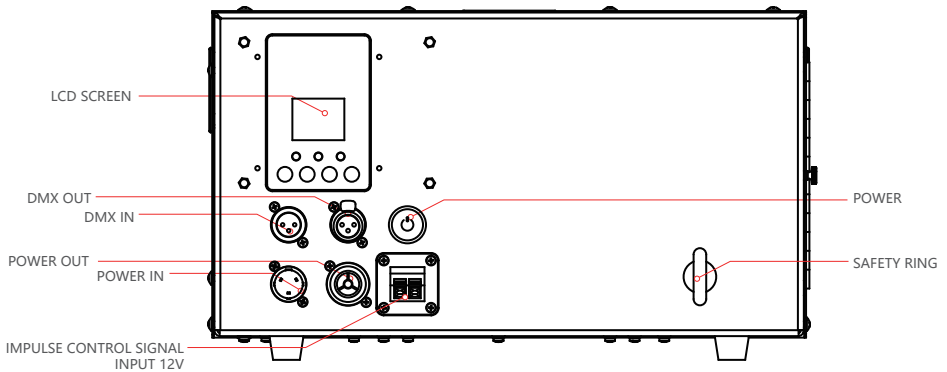
NOTICE

This means that you need to be careful.

1. PRODUCT INTRODUCTION

Kungfupao is a new spark device without gunpowder and fireworks invented by Changsha Spark Technology Electronics Co.,Ltd. It is a new product which produce instant spark effect. This product can be widely used in weddings, opening celebration, meeting, sports events, concert and so on.

1.1 PRODUCT OVERVIEW



1.2 PRODUCT ACCESSORIES

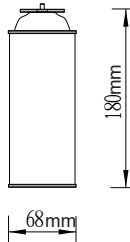
1.6M Power Plug
User Manual
3 Meters Power Pair Cable (optional)
3 Meters DMX Pair Cable

NOTICE

Open the package carefully and check to make sure the goods are in good condition.

1.3 BUTANE GAS

Granule for this product is liquefied butagas, and the gas cylinder is universal portable butagas cylinder. Its dimension is 68mm*180mm, and volume is 220±5g. Please use qualified products from formal manufacturer.



2 TECHNICAL PARAMETER

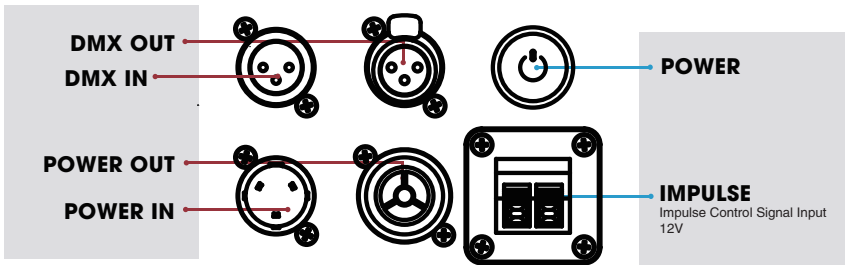
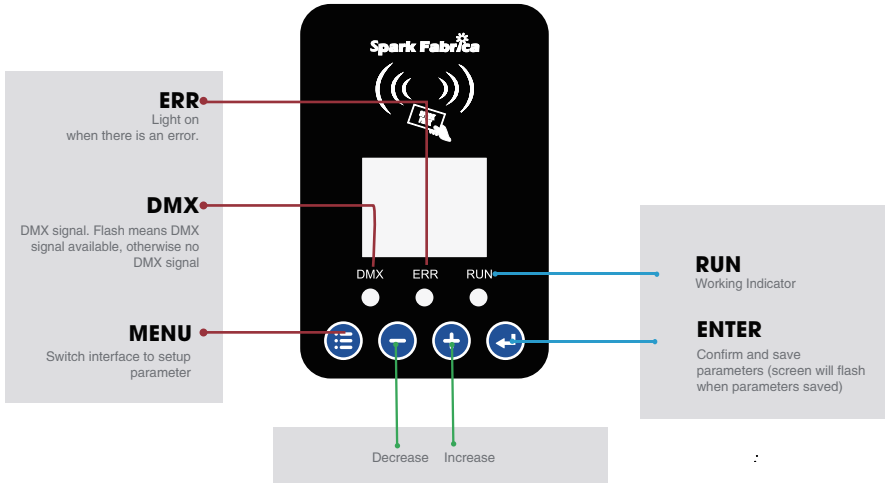
Identification	Brand	SPARK FABRICA
	Name	Kungfupao/SF-K2
AC Power	Input Voltage & Frequency	100-260V, 50 / 60HZ
	Power	10W
Granule	Granule	Composite Ti (medium)
	Powder Consumption (100% Output)	1g
	Height	3.5M
	Powder Tank Capacity	70g
Gas Cylinder	Tank type	Portable Butagas Cylinder
	Number Of Installed Gas Tanks	2
	Gas Consumption	8g-10g /min
Weight	Net Weight	16Kg
	Gross Weight	18Kg
Dimension	Machine Dimensions - L*W*H	400*350*285mm
	Machine Packing Dimensions - L*W*H	455*400*310mm

2.1 FUNCTIONAL CHARACTERISTICS

- Cold sparks projected up to 3.5m high
- 2 DMX channels
- Tilt detector
- TFT screen which displays the operating status of the machine
- Works with a low residue metal powder that generates no smoke, odours or other harmful gases.
- Automatic cleaning to avoid the accumulation of residues in the combustion chamber

3 SCREEN OPERATION GUIDE

3.1 BACK PANEL INTRODUCTION



3.2 DMX PARAMETER LIST

FIRST CHANNEL	FUNCTION
0-9	Fire off
10-255	Fire on
SECOND CHANNEL	FUNCTION
0-9	Close gas loading
10-255	Start gas loading

4 SAFETY NOTICE

NOTICE

Don't try to repair the unit by yourself or you invalidate the warranty. Repairs must only be carried out by a qualified technician.

NOTICE

Keep the unit dry and do NOT use in rain or snow.

NOTICE

Make sure the lid of the feeding hopper is well covered when using the unit. Accidentally burning of Ti powder can only be extinguished with sand. Composite Ti should be kept away from moisture and stored in a dry, sealed environment.

NOTICE

Do not mount the product on a flammable surface (linoleum, carpet, wood, paper, carton, plastic, etc.). Keep audience and flammable material at a minimum distance of 3m from SPARK JET PRO. Make sure the sparks shoot out by the unit can NOT touch any objects.

NOTICE

Clean the unit before and after the show. Make sure that no Composite Ti remains in the pipe and the nozzle. Remove all residues of Composite Ti aggregate, otherwise it will affect the shooting effect or even damage the unit.

NOTICE

Do not use the unit in a confined space. Always install the product in a location with adequate ventilation, at least 50cm from adjacent surfaces.

NOTICE

For better heat dissipation, never block the air intake and air outlet.

NOTICE

Do not cover the nozzle of the unit. Do not aim the nozzle at people or objects.

NOTICE

Make sure that no foreign objects or liquids can fall into the nozzle.

NOTICE

During operation the unit becomes very hot and remains hot for a long time after operation has stopped. Do not touch the housing or put a finger into the output nozzle.

NOTICE

Make sure that children, unauthorized people or animals get never access to the machine.

NOTICE

The noise level generated from the spark machine is estimated at 80dB.

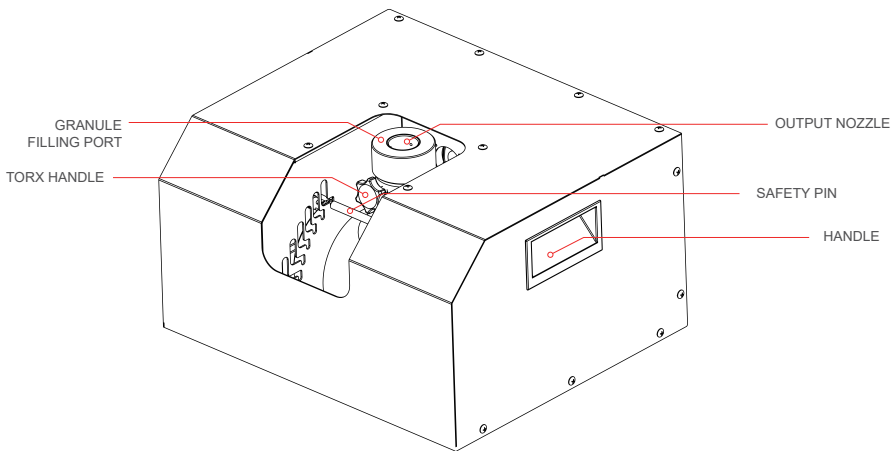
NOTICE

Wear eye protection when you fill in granules or test the spark machine.

5 MACHINE OPERATION

5.1 ADJUST ANGLE



* The angle of gun tube can be adjusted freely. There are 5 angles, and each angle is spaced 15 degrees apart. Please install safety shaft to the position required before adjustment and pull up lock pin to adjust the angle.






5.2 INSTALL MACHINE

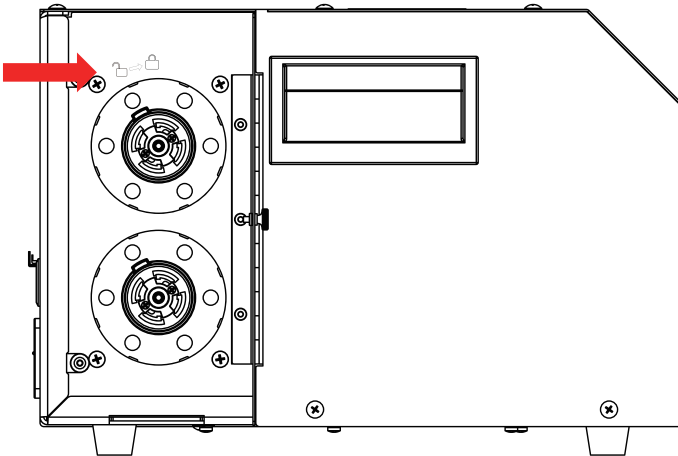
Install machine on the solid horizontal ground or truss, through four M10 nuts on the base-plate.

5.3 INSTALL BUTANE GAS

*Symbol of   are showed on the panel.

*Install tank: Combine tank's gas with  , and spin to  .

*Remove tank: Spin tank to  for removing it.

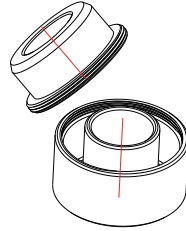
**CAUTION**

If the tank can't be installed successfully, please check buckle is in the right place.

5.4 FILL GRANULE

Spark Fabrica Granule is the consumable specially designed for spark machine, to simulate cold fountain re works effect for stage.

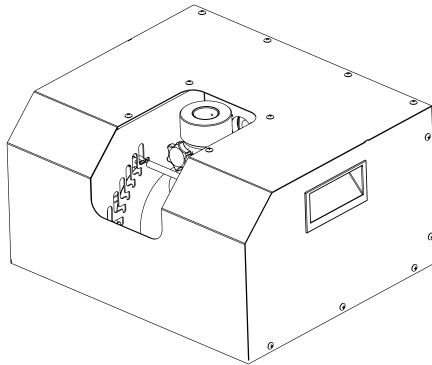
*Tear the vacuum package of granule, and fill the granule into the nozzle of Kungfupao.



CAUTION

Please do not aim Nozzle at person or other things.

5.5 Silo installation and Angle adjustment



Place the silo into the spout and secure it with torx screws. (as shown below)

The machine can adjust a total of 5 nozzle angles. Each Angle is 15 degrees apart. Before adjusting the Angle, please install the safety shaft to the position that needs to be adjusted, and then pull up the locating pin to adjust the nozzle Angle.

6 START TO OPERATE

6.1 TURN ON MACHINE'S POWER

AC power supply: Turn on the power switch, the RUN indicator light is lit, which means the power is connected. It indicates that no consumables are added when the LCD displays E1.

There are 2 ways of controlling this product, namely DMX control and pulse control.

Pulse control only has a working mode of "press once and play once".

6.2 DMX CONTROL

Use DMX cable to connect 512 console and machines' DMX IN interface. DMX OUT can connect multiple machines, and set the ADDRESS code of DMX for each machine after connection. This product has 2 channels mode. Please refer to screen operation guide to set DMX parameters ,and please do not set address code repeatedly.

6.3 IMPULSE CONTROL

Use IMPULSE control: Input a controlled DC12V signal into the IMPULSE interface to control the machine to start.

6.3 DISCONNECT POWER AND CLEAR

*Turn off the machine.

* Disconnect power and DMX signal cable.

*Remove gas tank and store it in a cool, well-ventilated place to avoid direct sunlight.

*Check if there is foreign matter in machine and remove it.

7 FAILURE HANDLING

Display Code	Error Information	Solution
E1	Lack of granule	Replace granule
E3	Gas leakage fault	Check the leakage and replace the pipe

8 WARRANTY INSTRUCTIONS

Sincere thanks for your choosing Kungfupao SF-K2, you will receive quality service from us.

The product warranty period is 3 year. If there are any quality problems within 7 days after shipping out from our factory, we can exchange a brand new same model machine for you. We will offer free of charge maintenance service for machines which with hardware malfunction (except for the instrument damage caused by human factors) in warranty period. Please don't repair machine without factory permission. Below situations NOT included in warranty service:

NOTICE

Damage caused by improper transportation, usage, management, and maintenance, or damage caused by human factors;

NOTICE

Disassemble, modify or repair products without SPARK FABRICA permission;

NOTICE

Damage caused by external reasons (lightning strike, power supply etc);

NOTICE

Damage caused by improper installation or use;

NOTICE

For product damage not included in warranty range, we can provide paid service.

*Invoice and warranty card are necessary when applying for maintenance service from SPARK FABRICA.

9 WARRANTY CARD**WARRANTY CARD**

Product Name:		Serial No:	
Purchase Date:			
Tel:			
Address:			
Info.Feedback About The Problem:			
Actual Problem:			
Maintenance Detail:			
Service Engineer:		Service Date:	

Spark Fabrica
www.sparkfabrica.com



| marketing@sparkfabrica.com

| +86 138 7585 1139