



NITROBALL2

LED Rotating Ball with 5 x 15w HEX (6-in-1) LEDs.

USER MANUAL



This manual contains important information about the safe installation and use of this product
Please read this instruction manual carefully before installing or operating
Please keep these instructions in a safe place for future reference

V1.02

Contents

| | |
|-------------------------------------|----------|
| 1. Safety Instructions | 2 |
| 2. Installation | 3 |
| 3. Features | 3 |
| 4. Product Overview | 4 |
| 5. Menu Operation | 5 |
| 6. DMX Table | 5 |
| 7. DMX Address Setting | 7 |
| 8. Error Messages | 8 |
| 9. Rigging | 8 |
| 10. Cleaning and Maintenance | 8 |
| 11. Technical Data | 9 |
| 12. Warranty | 9 |

Introduction

Thank you for the purchase of your NITROBALL2 rotating LED Ball by Event Lighting Lite. Please read these instructions carefully to ensure the product is well look after and used correctly to avoid any potential problems.

Please note that as part of our ongoing commitment to continuous improvement and product development, the specifications in this manual are subject to change without notice. Whilst every care has been taken in the preparation of this manual we reserve the right to change specifications in the course of product improvement.

What is in the box:

- 1 x NITROBALL2 Lighting Effect
- 1 x Quick lock handle
- 1 x Power Cable

1. Safety Instructions:

Please read these instructions carefully. It includes important information about the installation usage and maintenance of this product.

- Please keep this User Manual for future consultation. If you sell the unit to another user, be sure that they also receive this instruction booklet.
- Always make sure that you are connecting to the proper voltage and that the line voltage you are connecting to is not higher than that stated on the sticker of the fixture.
- This product is intended for indoor use only. To prevent risk of fire or shock, do not expose fixture to rain or moisture.
- Make sure there are no flammable materials close to the unit while operating.
- The unit must be installed in a location with adequate ventilation, at least 50cm from adjacent surface. Be sure that no ventilation slots are blocked.
- Always disconnect from power source before servicing.
- Secure fixture to stands, trussing and the like using a safety chain.
- Maximum ambient temperature is 40°C. Do not operate fixture at temperatures higher than this.
- In the event of serious operating problem, stop using the unit immediately. Never try to repair the unit by yourself. Repairs carried out by unskilled people can lead to damage or malfunction. Please contact the nearest authorized technical assistance center.
- Make sure power cord is never crimped or damaged.
- Never disconnect power cord by pulling or tugging on the cord.

- Never carry the fixture directly from the cord. Carry by holding the base of the unit, and only move when unit is upright.
- Avoid direct eye exposure to the light source while it is on.

2. Installation:

Caution: For safe mounting of this product, please read the following carefully.

- Use the included rapid lock clamp to attach to lighting stand, trussing or bar, together with safety chain. See section 9 for detailed instructions regarding rigging.
- When mounting the product, do not stand directly underneath the product
- Always use a safety chain when mounting the product on stands, trussing or bars. Make sure the breaking strain rating of the chain is at least 10 times the weight of the product.
- Make sure there is adequate ventilation around the product.
- This product is designed to be mounted either upright or upside down. It cannot be used in a side orientation – for example: the product cannot be used with the base mounted on the wall in a perpendicular orientation. This will cause severe damage to the motor and drive shaft and could cause the ball to distort and even fall off.
- Never look directly into the LED light sources of the product.
- For indoor use only – do not use outdoors.
- To avoid electrical shock, keep away from rain and moisture.
- Keep out of reach of children.

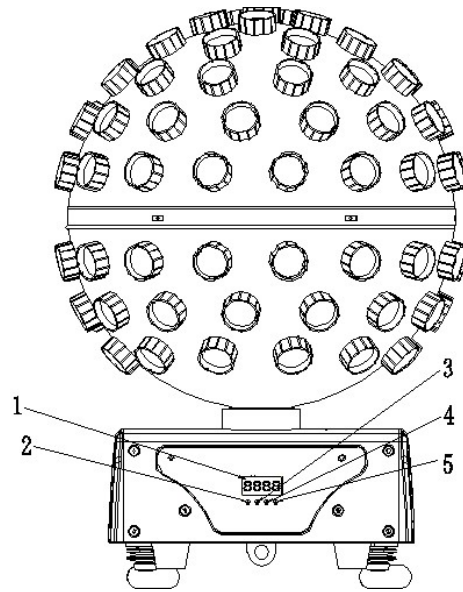
3. Features

This product is designed as an LED lighting effect and is only intended to be used as an LED lighting effect for entertainment and display applications. Due to our ongoing commitment to constantly reviewing and improving products, features and specifications are subject to change without prior notice.

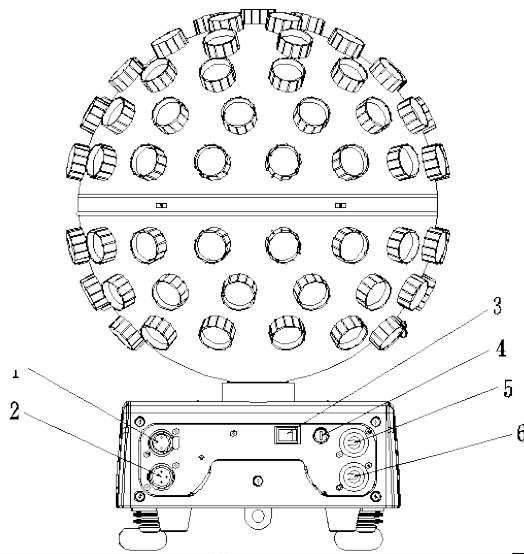
- LEDs: 5 x 15W RGBWYUV HEX 6-in-1 LEDs with average 50000 hours lifespan
- Beam angle. 1°
- Beam spot angle. 1°
- Lenses: 98
- Pan: Infinite (endless rotation)
- Control: DMX, Sound Activation, Stand Alone, Master/Slave
- DMX Channels: 13
- Functions: Continuous rotation, strobing, variable speed rotation, individual colour control
- Electronic strobe rate: 1-25Hz
- Built in colour macros and programs
- IEC input/output, can link 20 units together.
- Weight: 3.65kg
- Packed Dimensions 355x355x485mm

4. Product Overview

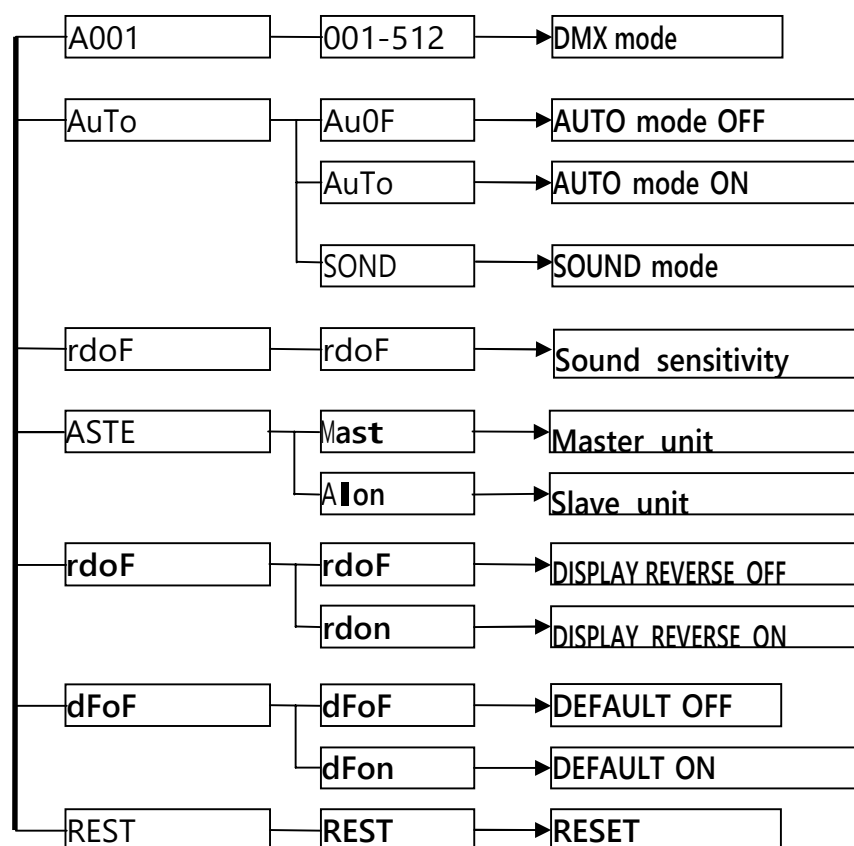
1. LED Display
2. MODE/ESC button
3. UP button (UP)
4. DOWN button (DOWN)
5. Enter button (ENTER)



1. Signal input
2. Signal output
3. ON/OFF switch
4. Fuse 2A
5. Power In
6. Power Out



5. Menu operation



Notes:

1. The display flickering slowly indicates the current MENU option. If the display is flickering quickly, the data shown on the display will become current once entered.
2. During changing the MENU settings, if no input has been received after 10 seconds, the MENU will return to A001 display and be locked (the last 3 numbers show the DMX address). The unit will continue to operate in the last program it was set to. To **UNLOCK** the menu display, hold down enter for 3 seconds, then press up or down. Again, after no input or change for 10 seconds or more, the display will lock and revert to A001 display.

6. DMX Channel Allocation and functions table

| CH | Value | Function |
|----|-------|---|
| 1 | 0-255 | Pan continuous rotation |
| 2 | 0-255 | 0-30 no function 31-140 Pan continuous clockwise rotation (from fast to slow) 141-145 Stop rotation 146-255 Pan continuous anti-clockwise rotation (from slow to fast) |

| | | |
|----|-------|---|
| 3 | 0-255 | Pan speed (invalid during endless rotation, 226-235. Light OFF when scanning, 236-255: max speed) |
| 4 | 0-255 | Red dimming |
| 5 | 0-255 | Green dimming |
| 6 | 0-255 | Blue dimming |
| 7 | 0-255 | White dimming |
| 8 | 0-255 | Yellow dimming |
| 9 | 0-255 | UV dimming |
| 10 | 0-255 | 0-15 No function 16-95 Synchronous strobe – strobe speed 96-175 Strobe Flash once per second. Flash Duration from short to long. 176 – 255 Asynchronous strobe: Strobe flash probability from high to low |
| 11 | 0-255 | Master dimming |
| 12 | 0-255 | 0-25 No function 26-205 Fixed Colours - each 20 value mean 1 colour (eg 26-45 red) 206-255 Colour changing (changing speed from fast to slow) |
| 13 | 0-255 | Macros (built in programs as below) 0-55 No function 56-75 Sound control, each sound will switch to next Marcos as below, sound sensitivity from low to high 40-80% NOTE: this is not controlled by the sound sensitivity in MENU. The sound sensitivity setting in MENU is valid for sound function in Auto only 76-105 Red, clockwise rotation 106-135 Blue, anti-clockwise rotation 136-165 7 colours changing, clockwise rotation 166-195 7 colours changing, anti-clockwise rotation 196-225 7 colours changing, with strobe (strobe 3 seconds, light on 7 seconds), clockwise rotation 226-255 7 colours changing, with strobe (strobe 3 seconds, light on 7 seconds), anti-clockwise rotation |

DMX-512 Control Connection

Using a 3 pin XLR cable, you can connect the product to a DMX controller and then to other fixtures with 3 pin XLR inputs and outputs. When not using DMX, multiple fixtures can be connected together and operate under master/slave control. The signal cable should have two core with shielded cable, the signal connectors are XLR input and output connectors. Please refer to the below diagram:



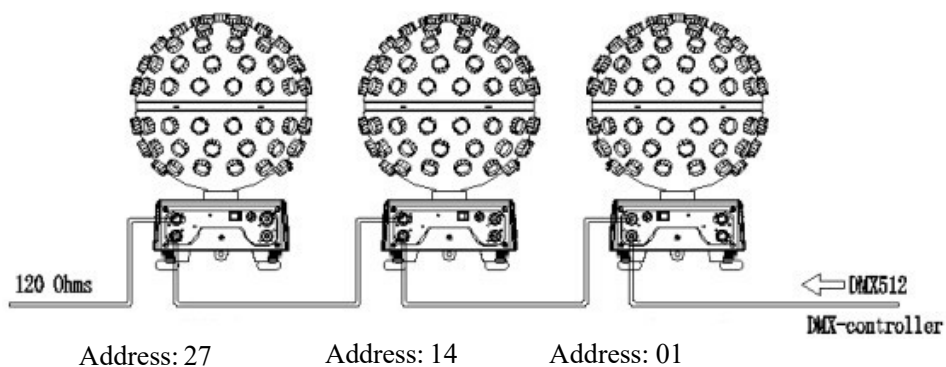
7. DMX Address Setting

When being used in conjunction with a DMX controller, each fixture must be set a specific starting address. When receiving signal, fixture will receive channel control signals of this address from the DMX controller.

For simplicity, the user can use the same address for multiple fixtures but this will result in each fixture providing exactly the same output and fixtures with the same DMX address cannot be individually controlled.

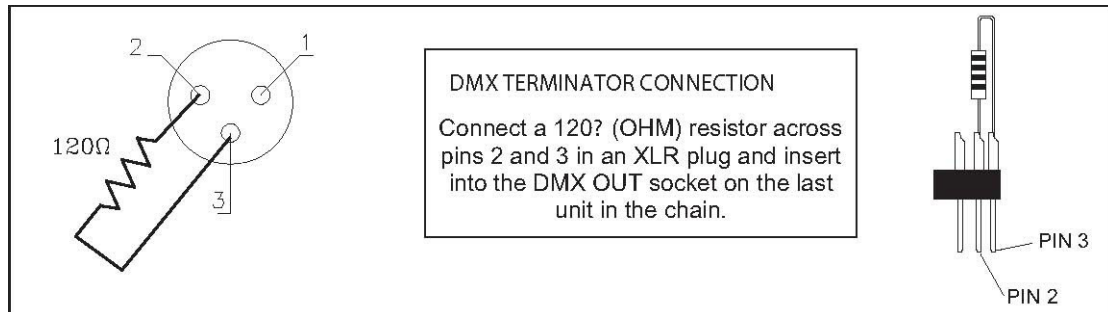
To control each fixture individually via DMX, each fixture must have its own unique DMX address. As this fixture uses 13 DMX channels, each address must be at least 13 apart.

So for example – assuming the first fixture is DMX channel 1, the second fixture would need to be on channel 14, then the 3rd channel 27 and so on. Some DMX controllers may group fixtures in lots of 16 channels – so in that case, fixture 1 on channel 1, fixture 2 on channel 17, 3 on 33, and so on. Refer to your DMX controllers’ instruction manual on how best to manage your DMX channel allocation.



DMX-512 connection with DMX terminator

A DMX terminator helps to reduce ‘noise’ on the DMX chain, and makes the light respond to control more accurately. It should be plugged in to the last fixture in any chain. For Terminator connections please see below:



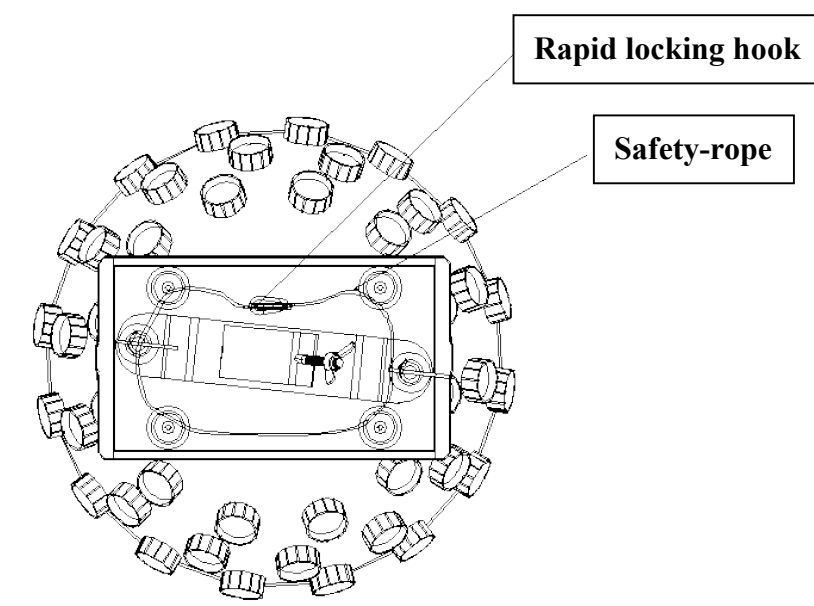
8. Error Messages

In the event of an error or problem within the fixture, the display will show an error message such as “PAN-ERR”. A pan error could be caused by an obstruction to the rotation of the ball. If this is the case, power off the unit and clear the obstruction.

With any error message, the unit should be powered off, then turned on again after a few seconds. If the error message persists, please contact your local dealer for advice or repairs.

There are no user-serviceable parts within this product – do not attempt to open and repair yourself. Doing so will result in any warranty being voided.

9. Rigging:



Insert the quick-lock fasteners of the first holder into the respective holes on the base of the product. Tighten the quick-lock fasteners fully clockwise. The mounting bracket can then be attached to a stand, trussing or lighting bar securely. Be sure to use a safety chain which connects through the lug with the hole in it on the base and around the trussing or bar on which the product is being mounted.

10. Cleaning and maintenance

From time to time it is recommended the product is cleaned to ensure maximum light output and performance. Use a wet cloth to clean the housing as well as the lenses and base. Glass cleaner is also suitable but alcohol based cleaners and solvents cannot be used as they will cause damage to the product.

When used in a fixed long term installation such as a venue or club, the unit should be periodically taken down from the installation and professionally cleaned. Dust build-up within the unit can cause damage and ultimately failure of components.

11. Technical Data

Input Voltage: AC100-240V 50/60Hz

LED: TX-BGRWIY10B120-001, 15W/LED

Power Consumption: 55w

SPFC power factor correction power supply, PF>0.99, efficiency > 90%

Net Weight: 3.65Kg

12. Warranty

Please refer to your local dealer or contact Event Lighting