



LED Profile Engine

OPERA300FCP

USER MANUAL



For safety, please read this user manual carefully before initial use.

Event Lighting reserves the right to revise the manual at any time. Information and specifications within this manual are subject to change without notice. Event Lighting assumes no liability or responsibility for any errors or omissions. Please consult Event Lighting for any clarification or information regarding this item.

www.event-lighting.com.au

Ver 1.0

CONTENTS

1. Introduction	3
2. Safety instructions.....	4
3. Description.....	5
Products features	5
Overview	5
4. Installation	6
5. Operation.....	7-8
Control board	7-8
DMX modes.....	9-10
6. Replacing the fuse.....	10
7.Focus.....	10
8. Technical specification.....	11

1. Introduction

Thank you for purchasing our product. Before carrying out any operations with the product, carefully read this instruction manual and keep it with care for future reference. It contains important information about the installation, usage and maintenance of the unit. Please strictly follow it.

The product conforms to the international standard DMX512 agreement. The products can be controlled in signal use and also can be controlled in many units. Sleek and stylish, precise and accurate optical system design, bring and clear light effects. All above makes our products applicable to be used within the scope of film and television, theater, live events, trade show exhibits, educational facilities, retail environments, and corporate shows, etc.

* The product is compliance with the CE & ROHS Standard.

* The product belongs to our company. The intellectual property is exclusively reserved. We will file a lawsuit on condition that it is illegally copied and imitated.

2. Safety instructions

WARNING

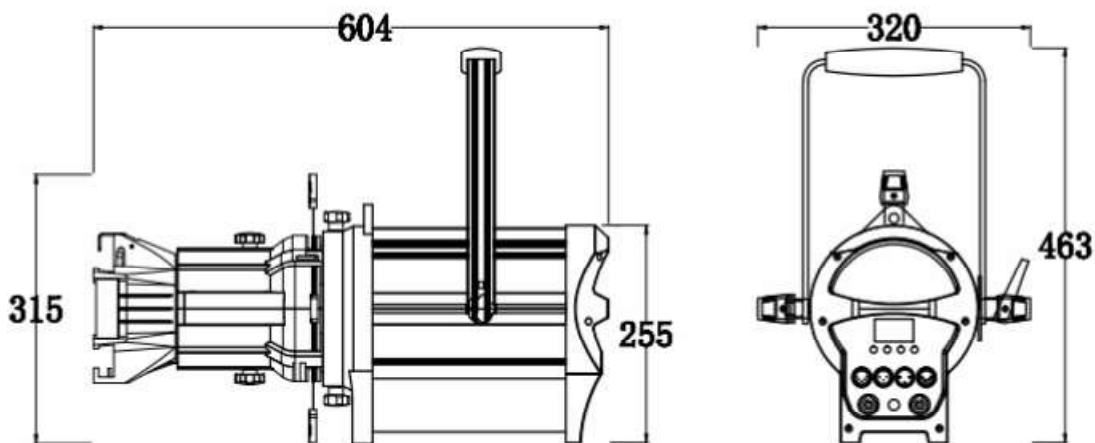
- Do not open this device, there is no user-serviceable parts inside. Risk of electric shock.
- Do not look at the light source when the device is on.
- **CAUTION:** This unit's housing may be hot during and after operation.
- Install this device in a location with adequate ventilation, at least 20 inch (50 cm) from adjacent surfaces.
- Do not leave any flammable material within 50 cm of this unit while operating or connected to power.
- Use a safety chain when mounting this device overhead.
- Do not operate this device outdoors or in any location where dust, excessive heat, water, or humidity may affect it.
- Do not operate this device if the housing, lenses, or cables appear damaged.
- Do not connect this device to a dimmer or rheostat.
- **ONLY** connect this device to a grounded and protected circuit.
- **ONLY** use the hanging bracket to carry this device.
- In case of a serious operating problem, stop using immediately.
- The maximum ambient temperature is 104° F (40° C). Do not operate this device at higher temperatures.

3. Description

Product features

- Good performance of cooling system with the quiet fan
- DMX controlled operation, possible work with any commercial DMX512 controller
- Rail-type hanging bracket, bracket position can be adjusted
- Different dimmer curves and dimmer speed adjustable
- Flicker free projection
- Color filter, Gobo, Iris optional
- Ready for connection with power cord with safety-plug

Overview



4. Installation

This device can be mounted in many orientations provided each individual device is secured by the use of correct mounting bracket.

Overhead rigging

The installation of the device has to be built and constructed in a way that it can hold 10 times the weight for 1hour without any harming deformation.

The installation must always be secured with a secondary safety attachment. This secondary safety attachment must be constructed in a way that no part of the installation can fall down if the main attachment fails.

The operator has to make sure that safety-relating and machine-technical installations are approved by an expert and before taking into operation for the first time and after changes .

Please note: for overhead rigging in public or industrial areas, a series of safety instructions have to be followed that this manual can only give in part.

DMX512 connection

Please use XLR-XLR signal cable connect the DMX output of the controller with the DMX input of the first device, and connect the DMX output of the first device with the DMX input of the second device, always connect one output with the input of the next device until all devices are connected.

For better signal receival, a signal amplifier suggest to be used for each 20 fixtures.

Power input

This device has an auto-switching power supply work with input voltage range of 100-240V AC, 50/60Hz. Link up to the maximum 15A, Do not exceed this.

5. Operation

Control board



Press the Menu until one of the following had been displayed:

Menu						
1st Menu	2nd Menu	3rd Menu	4th Menu	Value	Note	
DMX	ADDRESS	addr:		1-512	DMX512 address	
	CHANNEL MODE	1-CH			1CH mode	
		2-CH			2CH mode	
		6-CH			6CH mode	
		7-CH			7CH mode	
		11-CH			11CH mode	
		17-CH			17CH mode	
		9H-CH			9H CH mode	
	SET 1CH	CCT			2200 - 10000	CCT
		MANUAL MIXER	RED		0 - 255	Red dimmer
			GREEN		0 - 255	Green dimmer
			BLUE		0 - 255	Blue dimmer
			AMBER		0 - 255	Amber dimmer
CYAN				0 - 255	Cyan dimmer	
LIME			0 - 255	Lime dimmer		
STATIC	RED	RED		0 - 255	Red dimmer	
	GREEN	GREEN		0 - 255	Green dimmer	
	BLUE	BLUE		0 - 255	Blue dimmer	
	AMBER	AMBER		0 - 255	Amber dimmer	
	CYAN	CYAN		0 - 255	Cyan dimmer	
	LIME	LIME		0 - 255	Lime dimmer	
	STROBE	STROBE		0 - 255	Strobe	
PERSONALITY	CURVE	LINEAR				

		SQUARE LAW			
		INV SQUARE LAW			
		S-CURVE			
	SPEED	OFF			Fade off
		LOW			Low
		MEDIUM			Medium
		HIGH			High
	FREQUENCY	1000Hz			
		1200Hz			
		1500Hz			
		2000Hz			
		4000Hz			
		8000Hz			
	FAN MODE	FULL			Fans max
		AUTO			Fan control by temperature
		SILENT			
DMX HOLD	Hold				
	Blackout				
INFO	VERSION		V102.3	version	
	RDM UID		xxxxxxxxxxxx	RDM Uniquer Id	
	USAGE TIME	POWER ON		xxxxxH	
		LED TOTAL		xxxxxH	
	TEMPERATURE	CELSIUS			Temperature
FAHRENHEIT					
RESET	YES/NO			Reset	

Use 'Up' and 'Down' button to select your desired operation, press 'Enter' to set all function

Notes:

- When there's a flickering '!' sign appeared, means no signal input for the fixture.
- No operation within 30seconds, LCD display will enter into Screen protection mode automatic.
- When the current temperature is higher than the protecting setting temperature, 30% of power consumption will be deducted slowly; Power consumption will be coming to normal when the temperature gets to normal.

DMX Modes

DMX512 Channel table

Modes							value	function
1-CH	2-CH	6-CH	7-CH	11-CH	17-CH	9H-CH		
1	1		1	1	1	1	000 - 255	Master Dimmer
				2	2	2	000 - 255	Master Dimmer fine
		1	2	3	3		000 - 255	Red
					4		000 - 255	Red fine
		2	3	4	5		000 - 255	Green
					6		000 - 255	Green fine
		3	4	5	7		000 - 255	Blue
					8		000 - 255	Blue fine
		4	5	6	9		000 - 255	Amber
					10		000 - 255	Amber fine
		5	6	7	11		000 - 255	Cyan
					12		000 - 255	Cyan fine
		6	7	8	13		000 - 255	Lime
					14		000 - 255	Lime fine
						3	000 - 255	Hue
						4	000 - 255	Hue fine
						5	000 - 255	Saturation
						6	002 - 096	2000K - 2800K
							097 - 098	2800K
							099 - 112	2800K - 3000K
							113 - 114	3000K
							115 - 126	3000K - 3200K
							127 - 129	3200K
							130 - 169	3200K - 4000K
							170 - 171	4000K
							172 - 218	4000K - 5600K
							219 - 220	5600K
							221 - 226	5600K - 6000K
							227 - 228	6000K
							229 - 254	6000K - 10000K
							255	10000K
	2			9	15	7	002 - 005	2200K
							006 - 010	2700K
							011 - 015	3000K
							016 - 020	3200K
							021 - 025	4000K
							026 - 030	4500K
							031 - 035	5000K
							036 - 040	5600K
							041 - 045	6000K
							046 - 050	6500K
							051 - 055	7000K

							056 - 060	8000K
							061 - 065	10000K
							066 - 070	Red dimmer
							071 - 075	Green dimmer
							076 - 080	Blue dimmer
							081 - 085	Amber dimmer
							086 - 090	Cyan dimmer
							091 - 095	Lime dimmer
							096 - 255	No function
				10	16	8	000 - 255	Strobe slow to fast
							000 - 030	Fade off
				11	17	9	031 - 060	Low
							061 - 090	Medium
							091 - 255	High

6. Fuse Replacement

If the fine-wire fuse of the device fuses, only replace the fuse by a fuse of same type and rating. Before replacing the fuse, unplug mains lead.

Procedure:

Step 1: Unscrew the fuse holder on the rear panel with a fitting screwdriver from the housing (anticlockwise).

Step 2: Remove the old fuse from the fuse holder.

Step 3: Install the new fuse in the fuse holder.

Step 4: Replace the fuse holder in the housing and fix it.

7. Focus

The objective lens cylinder is usually shrunk before leaving factory, after connect the projector to the mains, user may loose the screws and move the lens cylinder, till the white light output circular is clearly presented, locking tightly the two screws again.

When the projection distance is changed, user can follow previous operating steps, and focus the projector.

8. Technical specifications

Product name:	Led Profile Spotlight
Power Consumption:	300W
Voltage:	100 - 240V AC
Frequency:	50/60Hz
Light Source:	RGBALC LED module
Lens:	6pcs Special imaging glass optical lens
Color temperature:	2700K-10000K
CRI:	90
Beam Angle:	19°/26°/36°/50°/18°-36°/25°-50°
Dimming Range:	16bit smooth dimming 0-100%
DMX Channel:	1-CH/2-CH/6-CH/7-CH/11-CH/17-CH/9H-CH Optional
Control system:	DMX512 signal
Display Screen:	4-Button LCD Screen
IP Rating:	IP23
Ambient Temp.:	-20°C ~ 35°C
Product size:	604x320x463mm
Weight:	11.5kg

WARRANTY

Please refer to your local dealer or please contact Event Lighting Pty Ltd

Website: www.event-lighting.com.au.