



LED Fresnel

OPERA300VWF

USER MANUAL



For safety, please read this user manual carefully before initial use.

Event Lighting reserves the right to revise the manual at any time. Information and specifications within this manual are subject to change without notice. Event Lighting assumes no liability or responsibility for any errors or omissions. Please consult Event Lighting for any clarification or information regarding this item.

www.event-lighting.com.au

Ver 1.0

CONTENTS

1. Introduction	3
2. Safety instructions.....	4
3. Description.....	5
Products features	5
Overview	5
4. Installation	6
5. Operation.....	7-8
Control board	7-8
DMX modes.....	9-10
6. Replacing the fuse.....	10
7. Technical specification.....	11

1. Introduction

Thank you for purchasing our product. Before carrying out any operations with the product, carefully read this instruction manual and keep it with care for future reference. It contains important information about the installation, usage and maintenance of the unit. Please strictly follow it.

The product conforms to the international standard DMX512 agreement. The products can be controlled in signal use and also can be controlled in many units. Sleek and stylish, precise and accurate optical system design, bring and clear light effects. All above makes our products applicable to be used within the scope of film and television, theater, live events, trade show exhibits, educational facilities, retail environments, and corporate shows, etc.

* The product is compliance with the CE & ROHS Standard.

* The product belongs to our company. The intellectual property is exclusively reserved. We will file a lawsuit on condition that it is illegally copied and imitated.

2. Safety instructions

WARNING

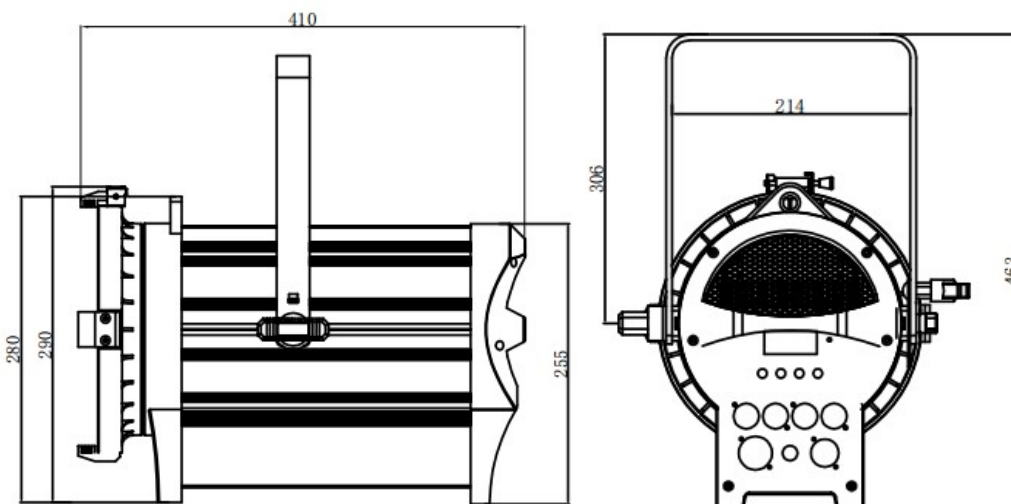
- Do not open this device, there is no user-serviceable parts inside. Risk of electric shock.
- Do not look at the light source when the device is on.
- **CAUTION:** This unit's housing may be hot during and after operation.
- Install this device in a location with adequate ventilation, at least 20 inch (50 cm) from adjacent surfaces.
- Do not leave any flammable material within 50 cm of this unit while operating or connected to power.
- Use a safety chain when mounting this device overhead.
- Do not operate this device outdoors or in any location where dust, excessive heat, water, or humidity may affect it.
- Do not operate this device if the housing, lenses, or cables appear damaged.
- Do not connect this device to a dimmer or rheostat.
- **ONLY** connect this device to a grounded and protected circuit.
- **ONLY** use the hanging bracket to carry this device.
- In case of a serious operating problem, stop using immediately.
- The maximum ambient temperature is 104° F (40° C). Do not operate this device at higher temperatures.

3. Description

Product features

- Made by Aluminum which makes the lamp solid
- Good performance of cooling system with the quiet fan
- DMX controlled operation, possible work with any commercial DMX512 controller
- Rail-type hanging bracket, bracket position can be adjusted
- Different dimmer curves and dimmer speed adjustable
- Flicker free projection
- Rotatable barn doors, color filter optional
- Ready for connection with power cord with safety-plug

Overview



4. Installation

This device can be mounted in many orientations provided each individual device is secured by the use of correct mounting bracket.

Overhead rigging

The installation of the device has to be built and constructed in a way that it can hold 10 times the weight for 1hour without any harming deformation.

The installation must always be secured with a secondary safety attachment. This secondary safety attachment must be constructed in a way that no part of the installation can fall down if the main attachment fails.

The operator has to make sure that safety-relating and machine-technical installations are approved by an expert and before taking into operation for the first time and after changes .

Please note: for overhead rigging in public or industrial areas, a series of safety instructions have to be followed that this manual can only give in part.

DMX512 connection

Please use XLR-XLR signal cable connect the DMX output of the controller with the DMX input of the first device, and connect the DMX output of the first device with the DMX input of the second device, always connect one output with the input of the next device until all devices are connected.

For better signal receival, a signal amplifier suggest to be used for each 20 fixtures.

Power input

This device has an auto-switching power supply work with input voltage range of 100-240V AC, 50/60Hz. Link up to the maximum 15A, Do not exceed this.

5. Operation

Control board



Press the Menu until one of the following had been displayed:

Menu						
1st Menu	2nd Menu	3rd Menu	4th Menu	Value	Note	
DMX	ADDRESS	addr:		1-512	DMX512 address	
	CHANNEL MODE	1-CH			1CH mode	
		3-CH			3CH mode	
		7-CH			7CH mode	
		10-CH			10CH mode	
	SET 1CH	CCT			2700 - 6500	CCT
		MANUAL MIXER	WARM WHITE		0 - 255	Warm white
COOL WHITE				0 - 255	Cool white	
	ZOOM			0 - 255	Zoom	
STATIC	WARM WHITE	WARM WHITE		0 - 255	Warm white	
	COOL WHITE	COOL WHITE		0 - 255	Cool white	
	STROBE	STROBE		0 - 255	Strobe	
	ZOOM	ZOOM		0 - 255	Zoom	
PERSONALITY	CURVE	LINEAR				
		SQUARE LAW				
		INV SQUARE LAW				
		S-CURVE				
	SPEED	OFF				Fade off
		LOW				Low
		MEDIUM				Medium
		HIGH				High
	FREQUENCY	1000Hz				
		1200Hz				
		1500Hz				
		2000Hz				
		4000Hz				
8000Hz						
16000Hz						

	FAN MODE	FULL			Fans max	
		AUTO			Fan control by temperature	
		SILENT				
	DMX HOLD	Hold				
		Blackout				
INFO	VERSION			V102.3	version	
	RDM UID			xxxxxxxxxxxx	RDM Uniquer Id	
	USAGE TIME	POWER ON			xxxxxH	
		LED TOTAL			xxxxxH	
	TEMPERATURE	CELSIUS				Temperature
FAHRENHEIT						
RESET	YES/NO				Reset	

Use 'Up' and 'Down' button to select your desired operation, press 'Enter' to set all function

Notes:

- When there's a flickering '!' sign appeared, means no signal input for the fixture.
- No operation within 30seconds, LCD display will enter into Screen protection mode automatic.
- When the current temperature is higher than the protecting setting temperature, 30% of power consumption will be deducted slowly; Power consumption will be coming to normal when the temperature gets to normal.

DMX Modes

DMX512 Channel table

Modes				Value	Function
1-CH	3-CH	7-CH	10-CH		
1	1	1	1	000 - 255	Master Dimmer
		2	2	000 - 255	Master Dimmer fine
		3	3	000 - 255	Warm white
			4	000 - 255	Warm white fine
		4	5	000 - 255	Cool white
			6	000 - 255	Cool white fine
				000 - 096	2700K - 6500K
	2		7	000 - 005	No function
				006 - 010	2700K
				011 - 015	3000K
				016 - 020	3200K
				021 - 025	4000K
				026 - 030	4500K
				031 - 035	5000K
				036 - 040	5600K
				041 - 045	6000K
				046 - 050	6500K
				051 - 255	No function
	3	5	8	000 - 255	Zoom
				000 - 255	Strobe slow to fast
		7	10	000 - 030	Fade off
				031 - 060	Low
				061 - 090	Medium
				091 - 255	High

6. Fuse Replacement

If the fine-wire fuse of the device fuses, only replace the fuse by a fuse of same type and rating. Before replacing the fuse, unplug mains lead.

Procedure:

Step1: Unscrew the fuse holder on the rear panel with a fitting screwdriver from the housing (anticlockwise).

Step 2: Remove the old fuse from the fuse holder.

Step 3: Install the new fuse in the fuse holder.

Step 4: Replace the fuse holder in the housing and fix it.

7. Technical specifications

Product name.:	Led Fresnel Spotlight
Power Consumption:	300W
Voltage:	100 - 240V AC
Frequency:	50/60Hz
Light Source:	COB warm white+cool white
Lens:	175mm Fresnel lens
Color temperature:	3200K-5600K
CRI:	>95
Beam Angle:	14° ~ 55°
Dimming Range:	16 bit smooth dimming 0-100%
DMX Channel:	1-CH/3-CH/7-CH/10-CH Optional
Control system:	DMX512 signal
Display Screen:	4-Button OLED Screen
IP Rating:	IP20
Min. Distance to Illuminated object:	1M
Ambient Temp.:	-15°C ~ 35°C
Product size:	410x463x214mm
Weight:	10kg

WARRANTY

Please refer to your local dealer or please contact Event Lighting Pty Ltd

Website: www.event-lighting.com.au.