



LED Fresnel

OPERAC100FCF | OPERAC200FCF

USER MANUAL



For safety, please read this user manual carefully before initial use.

Event Lighting reserves the right to revise the manual at any time. Information and specifications within this manual are subject to change without notice. Event Lighting assumes no liability or responsibility for any errors or omissions. Please consult Event Lighting for any clarification or information regarding this item.

Ver 1.0 (17.12.2024)

CONTENTS

| | |
|---|------------|
| 1. Introduction | 2 |
| 2. Safety instructions | 3 |
| 3. Description | 4 |
| Products features | 4 |
| Overview | 4 |
| 4. Installation | 5-6 |
| Overhead rigging..... | 5 |
| DMX512 connection | 5 |
| Power Input..... | 6 |
| 5. Operation | 6-7 |
| Control board | 6 |
| Menu table..... | 7-8 |
| DMX modes..... | 9 |
| 6. Replacing the fuse | 10 |
| 7. Technical specification | 11 |

1. Introduction

Thank you for purchasing our product. Before carrying out any operations with the product, carefully read this instruction manual and keep it with care for future reference. It contains important information about the installation, usage and maintenance of the unit. Please strictly follow it.

The product conforms to the international standard DMX512 agreement. The products can be controlled in signal use and also can be controlled in many units. Sleek and stylish, precise and accurate optical system design, bring and clear light effects. All above makes our products applicable to be used within the scope of film and television, theater, live events, trade show exhibits, educational facilities, retail environments, and corporate shows, etc.

* The product is compliance with the CE & ROHS Standard.

* The product belongs to our company. The intellectual property is exclusively reserved. We will file a lawsuit on condition that it is illegally copied and imitated.

2. Safety instructions

WARNING

- Do not open this device, there is no user-serviceable parts inside.

Risk of electric shock.

- Do not look at the light source when the device is on.
- **CAUTION:** This unit's housing may be hot during and after operation.
- Install this device in a location with adequate ventilation, at least 20 inch (50 cm) from adjacent surfaces.
- Do not leave any flammable material within 50 cm of this unit while operating or connected to power.
- Use a safety chain when mounting this device overhead.
- Do not operate this device outdoors or in any location where dust, excessive heat, water, or humidity may affect it.
- Do not operate this device if the housing, lenses, or cables appear damaged.
- Do not connect this device to a dimmer or rheostat.
- ONLY connect this device to a grounded and protected circuit.
- ONLY use the hanging bracket to carry this device.
- In case of a serious operating problem, stop using immediately.
- The maximum ambient temperature is 104° F (40° C). Do not operate this device at higher temperatures.

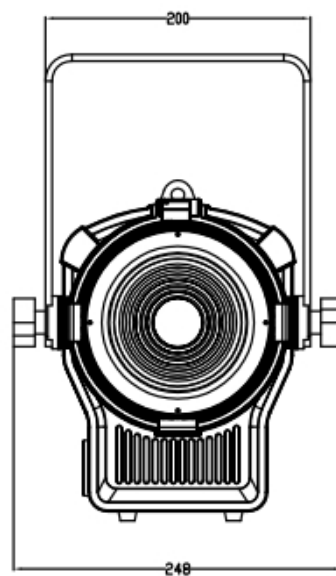
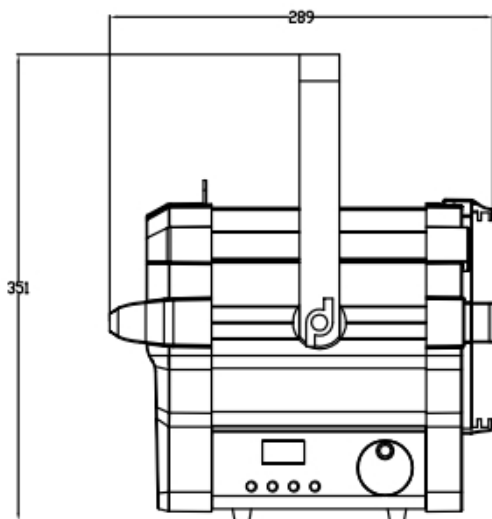
3. Description

Product features

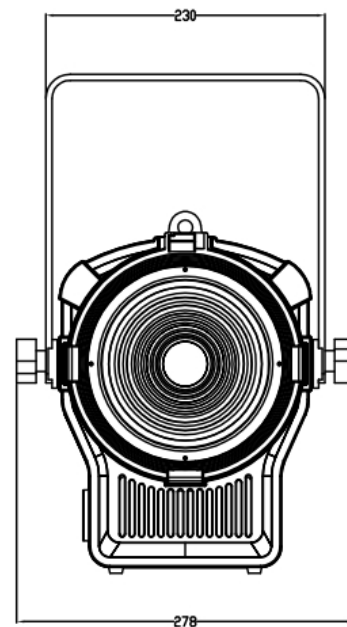
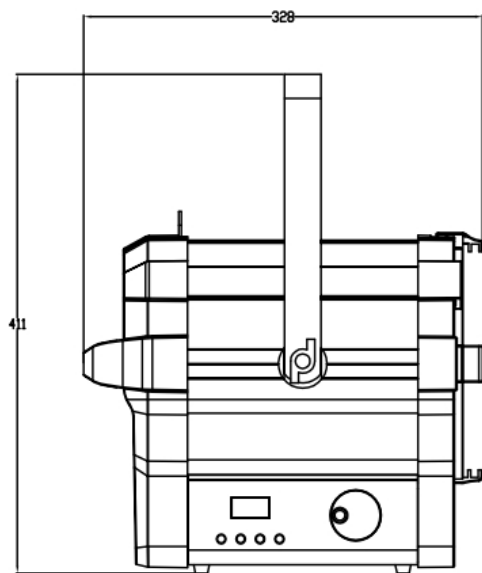
- Made by fire-resistant Nylon material and Aluminum which makes the lamp more lighter
- Good performance of cooling system with the quiet fan
- DMX controlled operation, possible work with any commercial DMX512 controller
- Rail-type hanging bracket, bracket position can be adjusted
- Different dimmer curves and dimmer speed adjustable
- Flicker free projection
- Rotatable barn doors, color filter optional
- Ready for connection with power cord with safety-plug

Overview

OPERAC100FCF



OPERAC200FCF



4. Installation

This device can be mounted in many orientations provided each individual device is secured by the use of correct mounting bracket.

Overhead rigging

The installation of the device has to be built and constructed in a way that it can hold 10 times the weight for 1hour without any harming deformation.

The installation must always be secured with a secondary safety attachment. This secondary safety attachment must be constructed in a way that no part of the installation can fall down if the main attachment fails.

The operator has to make sure that safety-relating and machine-technical installations are approved by an expert and before taking into operation for the first time and after changes .

Please note: for overhead rigging in public or industrial areas, a series of safety instructions have to be followed that this manual can only give in part.

DMX512 connection

Please use XLR-XLR signal cable connect the DMX output of the controller with the DMX input of the first device, and connect the DMX output of the first device with the DMX input of the second device, always connect one output with the input of the next device until all devices are connected.

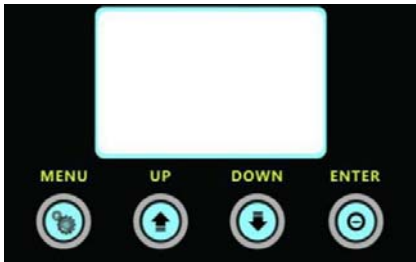
For better signal receival, a signal amplifier suggest to be used for each 20 fixtures.

Power input

This device has an auto-switching power supply work with input voltage range of 100-240V AC, 50/60Hz. Link up to the maximum 8A, Do not exceed this.

5.Operation

Control board



Press the Menu until one of the following had been displayed:

| 1ST MENU | 2ND MENU | 3RD MENU | 4TH MENU | VALUE | NOTE | |
|-------------|--------------|--------------|----------|---------|----------------|------------|
| DMX | ADDRESS | addr: | | 1-512 | DMX512 address | |
| | CHANNEL MODE | 1-CH | | | | 1CH mode |
| | | 2-CH | | | | 2CH mode |
| | | 4-CH | | | | 4CH mode |
| | | 5-CH | | | | 5CH mode |
| | | 7-CH | | | | 7CH mode |
| | | 9-CH | | | | 9CH mode |
| | | 13-CH | | | | 13CH mode |
| | | 9H-CH | | | | 9H CH mode |
| | SET 1CH | CCT | | | 2200 - 10000 | CCT |
| | | MANUAL MIXER | RED | | 0 - 255 | Red dimmer |
| GREEN | | | | 0 - 255 | Green dimmer | |
| BLUE | | | | 0 - 255 | Blue dimmer | |
| WHITE | | | | 0 - 255 | White dimmer | |
| STATIC | RED | RED | | 0 - 255 | Red dimmer | |
| | GREEN | GREEN | | 0 - 255 | Green dimmer | |
| | BLUE | BLUE | | 0 - 255 | Blue dimmer | |
| | WHITE | WHITE | | 0 - 255 | White dimmer | |
| | STROBE | STROBE | | 0 - 255 | Strobe | |
| PERSONALITY | CURVE | LINEAR | | | | |

| | | | | | | |
|----------|-------------|----------------|--|--------------|----------------------------|-------------|
| | | SQUARE LAW | | | | |
| | | INV SQUARE LAW | | | | |
| | | S-CURVE | | | | |
| | SPEED | OFF | | | Fade off | |
| | | LOW | | | Low | |
| | | MEDIUM | | | Medium | |
| | | HIGH | | | High | |
| | FREQUENCY | 1000Hz | | | | |
| | | 1200Hz | | | | |
| | | 1500Hz | | | | |
| | | 2000Hz | | | | |
| | | 4000Hz | | | | |
| | | 8000Hz | | | | |
| | FAN MODE | FULL | | | Fans max | |
| | | AUTO | | | Fan control by temperature | |
| | | SILENT | | | | |
| | DMX HOLD | Hold | | | | |
| Blackout | | | | | | |
| INFO | VERSION | | | V100.0 | version | |
| | RDM UID | | | xxxxxxxxxxxx | RDM Uniquer Id | |
| | USAGE TIME | POWER ON | | | xxxxxH | |
| | | LED TOTAL | | | xxxxxH | |
| | TEMPERATURE | CELSIUS | | | | Temperature |
| | | FAHRENHEIT | | | | |
| RESET | YES/NO | | | | Reset | |

Use 'Up' and 'Down' button to select your desired operation, press 'Enter' to set all function

Notes:

- When there's a flickering '!' sign appeared, means no signal input for the fixture.
- No operation within 30seconds, LCD display will enter into Screen protection mode automatic.
- When the current temperature is higher than the protecting setting temperature, 30% of power consumption will be deducted slowly; Power consumption will be coming to normal when the temperature gets to normal.

DMX Modes

DMX512 Channel table

| Modes | | | | | | | | Value | Function |
|----------|----------|----------|----------|----------|----------|-----------|-----------|-----------|--------------------|
| 1-C H | 2-C H | 4-C H | 5-C H | 7-C H | 9-C H | 13-C H | 9H-C H | | |
| 1 | 1 | | 1 | 1 | 1 | 1 | 1 | 000 - 255 | Master Dimmer |
| | | | | | 2 | 2 | 2 | 000 - 255 | Master Dimmer fine |
| | | 1 | 2 | 2 | 3 | 3 | | 000 - 255 | Red |
| | | | | | | 4 | | 000 - 255 | Red fine |
| | | 2 | 3 | 3 | 4 | 5 | | 000 - 255 | Green |
| | | | | | | 6 | | 000 - 255 | Green fine |
| | | 3 | 4 | 4 | 5 | 7 | | 000 - 255 | Blue |
| | | | | | | 8 | | 000 - 255 | Blue fine |
| | | 4 | 5 | 5 | 6 | 9 | | 000 - 255 | White |
| | | | | | | 10 | | 000 - 255 | White fine |
| | | | | | | | 3 | 000 - 255 | Hue |
| | | | | | | | 4 | 000 - 255 | Hue fine |
| | | | | | | | 5 | 000 - 255 | Saturation |
| | | | | | | | 6 | 002 - 096 | 2000K - 2800K |
| | | | | | | | | 097 - 098 | 2800K |
| | | | | | | | | 099 - 112 | 2800K - 3000K |
| | | | | | | | | 113 - 114 | 3000K |
| | | | | | | | | 115 - 126 | 3000K - 3200K |
| | | | | | | | | 127 - 129 | 3200K |
| | | | | | | | | 130 - 169 | 3200K - 4000K |
| | | | | | | | | 170 - 171 | 4000K |
| | | | | | | | | 172 - 218 | 4000K - 5600K |
| | | | | | | | | 219 - 220 | 5600K |
| | | | | | | | | 221 - 226 | 5600K - 6000K |
| | | | | | | | | 227 - 228 | 6000K |
| | | | | | | | | 229 - 254 | 6000K - 10000K |
| | | | | | | | 255 | 10000K | |
| | 2 | | | 6 | 7 | 11 | 7 | 002 - 005 | 2200K |
| | | | | | | | | 006 - 010 | 2700K |
| | | | | | | | | 011 - 015 | 3000K |
| | | | | | | | | 016 - 020 | 3200K |
| | | | | | | | | 021 - 025 | 4000K |
| | | | | | | | | 026 - 030 | 4500K |

| | | | | | | | | | |
|--|--|--|--|---|---|----|---|-----------|---------------------|
| | | | | | | | | 031 - 035 | 5000K |
| | | | | | | | | 036 - 040 | 5600K |
| | | | | | | | | 041 - 045 | 6000K |
| | | | | | | | | 046 - 050 | 6500K |
| | | | | | | | | 051 - 055 | 7000K |
| | | | | | | | | 056 - 060 | 8000K |
| | | | | | | | | 061 - 065 | 10000K |
| | | | | | | | | 066 - 070 | Red dimmer |
| | | | | | | | | 071 - 075 | Green dimmer |
| | | | | | | | | 076 - 080 | Blue dimmer |
| | | | | | | | | 081 - 085 | White dimmer |
| | | | | | | | | 086 - 255 | No function |
| | | | | 7 | 8 | 12 | 8 | 000 - 255 | Strobe slow to fast |
| | | | | | | | | 000 - 030 | Fade off |
| | | | | | 9 | 13 | 9 | 031 - 060 | Low |
| | | | | | | | | 061 - 090 | Medium |
| | | | | | | | | 091 - 255 | High |

6. Fuse Replacement

If the fine-wire fuse of the device fuses, only replace the fuse by a fuse of same type and rating. Before replacing the fuse, unplug mains lead.

Procedure:

Step1: Unscrew the fuse holder on the rear panel with a fitting screwdriver from the housing (anticlockwise).

Step 2: Remove the old fuse from the fuse holder.

Step 3: Install the new fuse in the fuse holder.

Step 4: Replace the fuse holder in the housing and fix it.

7. Technical specifications

| | | |
|--------------------------------------|--|-----------------------------|
| Product name.: | Led Fresnel Spotlight | |
| Power Consumption: | 100W/200W | |
| Voltage: | 100 - 240V AC | |
| Frequency: | 50/60Hz | |
| Light Source: | COB led | |
| Lens: | 120MM /150MM Fresnel lens | |
| LED Color: | RGBW | |
| CRI: | 90 | |
| Beam Angle: | 14° ~ 55°/23° ~ 62° | |
| Dimming Range: | 16bit smooth dimming 0-100% | |
| DMX Channel: | 1-CH/2-CH/4-CH/5-CH/7-CH/9-CH/13-CH/9H-CH Optional | |
| Control system: | DMX512 signal | |
| Display Screen: | 4-Button TFT Screen | |
| IP Rating: | IP20 | |
| Min. Distance to Illuminated object: | 1M | |
| Ambient Temp.: | -15°C ~ 35°C | |
| Product size: | OPERAC100FCF: | 289mm×248mm×351mm |
| | OPERAC200FCF: | 328mm×278mm×411mm |
| Weight: | OPERAC100FCF: | 6.7kg |
| | OPERAC200FCF: | 8.2kg |
| Packing: | 1pc per box, 2boxes per carton | |
| Packing size 100W: | OPERAC100FCF: | Inner box: 360x290x280mm |
| | | Outer carton: 600x372x300mm |
| Packing size 200W: | OPERAC200FCF: | Inner box: 360x330x345mm |
| | | Outer carton: 680x372x360mm |

WARRANTY

Please refer to your local dealer or please contact Event Lighting Pty Ltd

Website: www.event-lighting.com.au