



PAR12X4UVL

12x4W UV LED PAR

USER MANUAL



For your safety, please read this user manual carefully before use.

Event Lighting reserves the right to revise the manual at any time. Information and specifications within this manual are subject to change without notice. Event Lighting assumes no liability or responsibility for any errors or omissions. Please consult Event Lighting for any clarification or information regarding this item.

Version 1.0

Safety Instructions

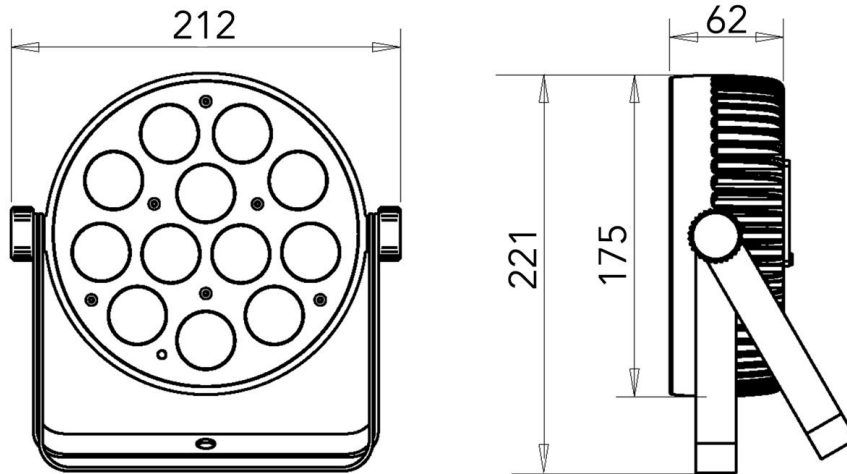
Warning

- Do not open this device, there are no user serviceable parts inside. Risk of electric shock.
- Do not look directly at the light source from close range.
- Avoid contact with the unit during operation, as the housing may become hot. Allow the fixture to cool for at least 15 minutes after turning off before touching.
- Install this device in a location with adequate ventilation, at least 50cm from adjacent surfaces.
- Do not operate this device, or connect this device to power, within 50cm of any flammable material.
- Use a safety chain when mounting this device overhead.
- Do not operate this device outdoors where excessive dust, heat, water, or humidity may affect it.
- Do not operate this device if the housing, lenses, or cables appear damaged.
- Do not connect this device to a dimmer or rheostat.
- Do not operate this device at temperatures higher than 40°C (104°F).
- **Only** connect this device to a grounded and protected circuit.
- **Only** use the hanging bracket to carry this device.
- Stop using this device immediately if a serious operating problem becomes apparent.

Product Installation

PAR12X4UVL can be mounted in many orientations, provided each individual device is secured by the use of the correct mounting bracket. Use a safety chain when mounting PAR12X4UVL overhead.

Dimensions



Lux Chart

Distance (m)	1	2	3	4	5
Diameter (m)	Ø 0.73	Ø 1.46	Ø 2.18	Ø 2.91	Ø 3.64
UV	1500	420	175	92	68

Control Board Operation

Menu Map

Addr	->	d 1	-	25 12	Select DMX address
CHNL	->	CH-1	or	CH-2	Select DMX channel mode (CH-1: 1ch / CH-2: 2ch)
SOUND	->	Sou			Select sound active mode
PL--	->	P 0	-	P255	Set UV colour intensity
node	->	nod0	-	nod4	Set dimmer speed (nod0: fastest / nod4: slowest)
LED	->	off	or	on	Toggle LED display on / off
	->	2048			Long press "Enter" button to show current temperature
VERn	->	V01			Show current software version
r-set	->	no	or	YES	Restore settings to factory default

DMX Chart

1 Channel Mode

Channel	Value	Function
1	000-255	UV: 0% ~ 100%

2 Channel Mode

Channel	Value	Function
1	000-255	Master DIMMER 0% ~ 100%
2	000-255	UV: 0% ~ 100%

Technical Specifications

Power

- Input Voltage: 100~240V AC, 50/60 Hz.
- Power Consumption: 40W
- Connection: IEC in/out.

Photometrics

- Light Source: 12x 4W UV LEDs.
- Beam Angle: 40°.
- PWM: 20,000 Hz.
- LED Lifespan: 50,000 hours.

Effects

- Dimming: 0-100%.
- Strobe: 1-20Hz.

Control

- Protocol: DMX512.
- DMX Channels: 1 / 2.
- Interface: 3-pin XLR in/out.
- Display: 4-button and 4-digit LED Display Control Panel
- Cooling: No fan

Housing

- Materials: Die Cast Aluminium.
- Finishing: Matte Black.
- IP Rating: IP20
- Net Weight: 1.85kg
- Overall Size: 212x220x62mm

Warranty

Please refer to your local dealer or contact Event Lighting.