



LED Pro Par with CW / WW / A LEDs

PAR5VW, PAR12VW

USER MANUAL



For safety, please read this user manual carefully before initial use.

Event Lighting reserves the right to revise the manual at any time. Information and specifications within this manual are subject to change without notice. Event Lighting assumes no liability or responsibility for any errors or omissions. Please consult Event Lighting for any clarification or information regarding this item.

www.eventec.com.au

Ver 3.0

CONTENTS

Safety Instructions	2
Product Installation	2
Diagrams	3
Control Board Operation	5
DMX chart.....	6
Technical specifications.....	8
Warranty.....	8

Safety Instructions

WARNING

- Do not open this device, there is no user-serviceable parts inside. Risk of electric shock.
- Do not look at the light source when the device is on.
- **CAUTION:** This unit's housing may be hot during and after operation.
- Install this device in a location with adequate ventilation, at least 20 inch (50 cm) from adjacent surfaces.
- Do not leave any flammable material within 50 cm of this unit while operating or connected to power.
- Use a safety chain when mounting this device overhead.
- Do not operate this device outdoors or in any location where dust, excessive heat, water, or humidity may affect it.
- Do not operate this device if the housing, lenses, or cables appear damaged.
- Do not connect this device to a dimmer or rheostat.
- ONLY connect this device to a grounded and protected circuit.
- ONLY use the hanging bracket to carry this device.
- In case of a serious operating problem, stop using immediately.
- The maximum ambient temperature is 104° F (40° C). Do not operate this device at higher temperatures.

Power Input & Power Linking

This device has an auto-switching power supply work with input voltage range of 100~240 VAC, 50/60 Hz.

Link up to the maximum 15A. DO NOT exceed this number.

Product Installation

This device can be mounted in many orientations provided each individual device is secured by the use of correct mounting bracket.

Use a safety chain when mounting this device overhead.

Fuse Replacement

If the fine-wire fuse of the device fuses, only replace the fuse by a fuse of same type and rating.

Before replacing the fuse, unplug mains lead.

Procedure:

Step 1: Unscrew the fuse holder on the rear panel with a fitting screwdriver from the housing (anticlockwise).

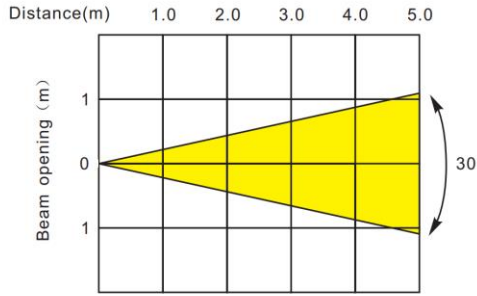
Step 2: Remove the old fuse from the fuse holder.

Step 3: Install the new fuse in the fuse holder.

Step 4: Replace the fuse holder in the housing and fix it.

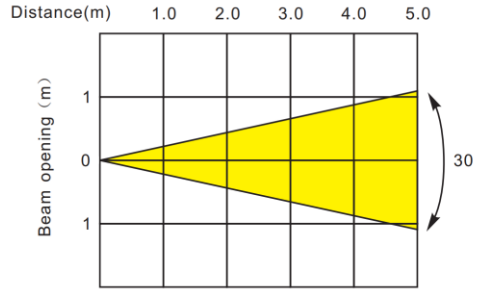
Lux Chart

PAR5VW 30



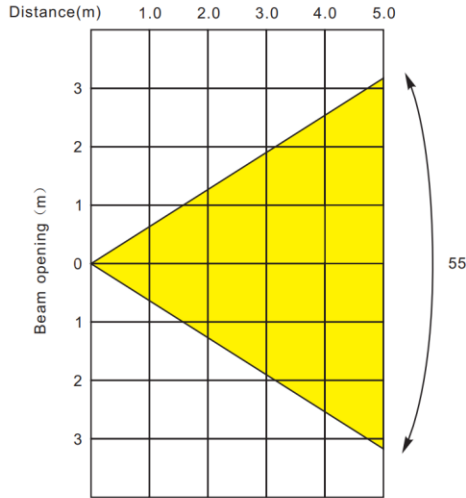
Diameter(m)	Φ 0.52	Φ 0.93	Φ 1.33	Φ 1.74	Φ 2.14
Intensity LUX	W 2750	695	308	176	112
	S 2380	604	268	153	98
	A 1640	411	182	102	65
	Full 6410	1610	717	405	260

PAR12VW 30



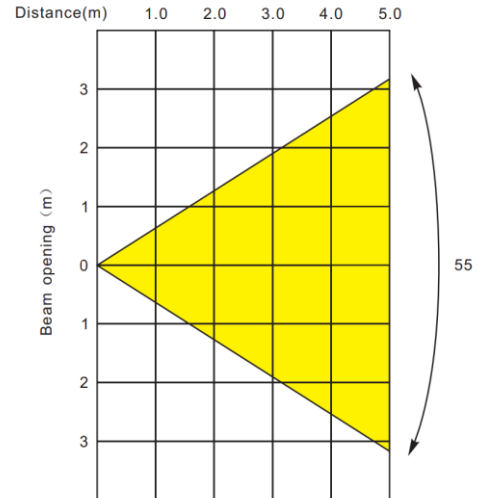
Diameter(m)	Φ 0.57	Φ 0.97	Φ 1.37	Φ 1.78	Φ 2.18
Intensity LUX	W 5570	1425	637	370	240
	S 4750	1217	545	315	202
	A 3180	847	365	217	142
	Full 12610	3270	1473	845	542

PAR5VW 55



Diameter(m)	Φ 1.35	Φ 2.64	Φ 3.93	Φ 5.21	Φ 6.50
Intensity LUX	W 885	225	105	61	41
	S 720	187	86	51	35
	A 505	132	60	36	25
	Full 2000	508	230	137	95

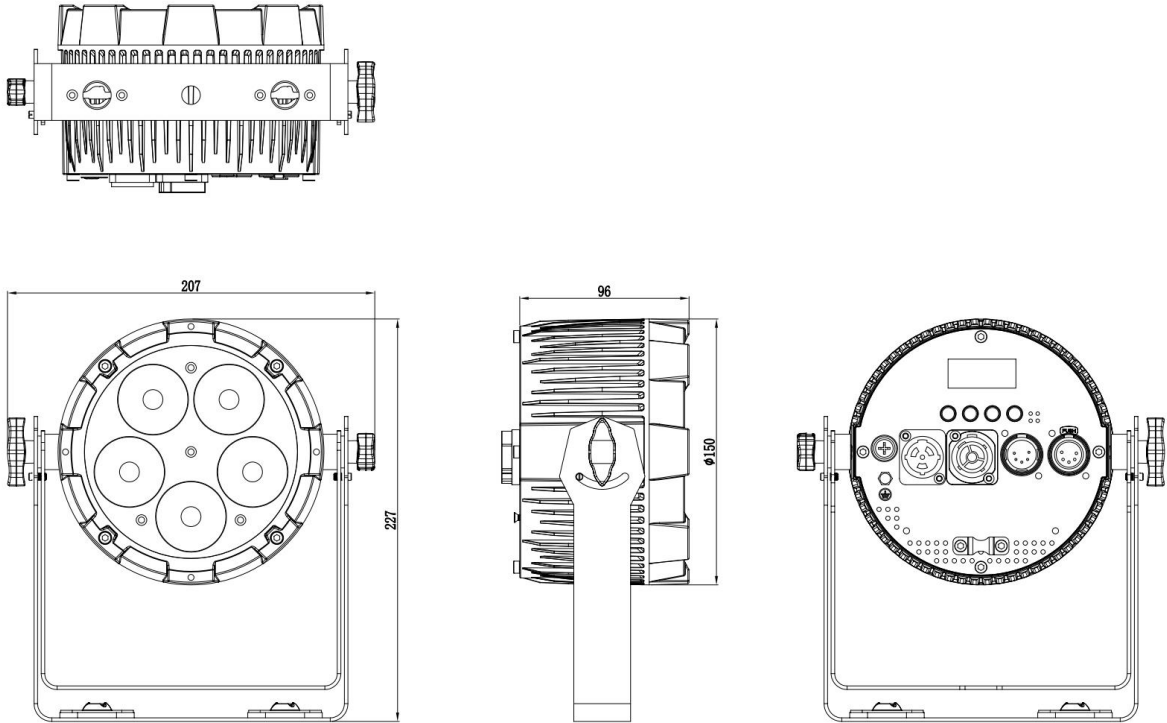
PAR12VW 55



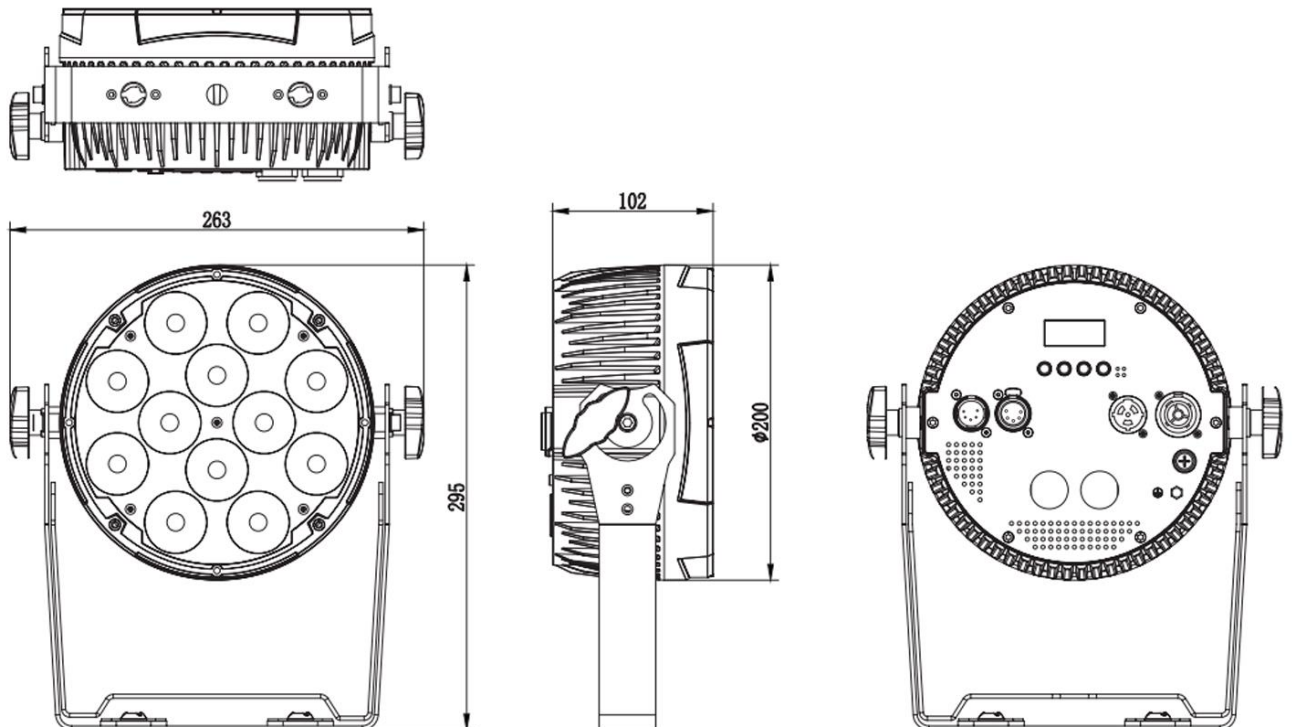
Diameter(m)	Φ 1.35	Φ 2.64	Φ 3.93	Φ 5.21	Φ 6.50
Intensity LUX	W 1980	495	228	131	88
	S 1558	410	190	113	75
	A 1215	274	123	79	51
	Full 4440	1135	510	300	200

Dimensions

PAR5VW



PAR12VW



CONTROL BOARD OPERATION

Display	Options / Values	Function
DMX Add	<001> - <512>	Set DMX address
DMX Cha	<02> <03> <04> <06> <10>	Select DMX channel mode
Dim Mode	<01> <02> <03> <04> <05>	Select dimmer curve
Manual	Warm White<001>-<255> Cool White <001>-<255> Amber <001>-<255> Dim<001>-<100> S<000> - S<025>	Set intensity of each colour separately for color mixing and strobe rate
Auto Pr	<Pr01> - <Pr02> <Sp000> - <Sp100> <Dim000> - <Dim255>	Select built-in automatic programs, auto run speed and dimmer level
Mas/Sla	<M> <S>	Select Master/Slave modes
Wireless	<ON><OFF> <EL Mode> <W-DMX_R> <W-DMX_T>	You need to install optional WDMX module inside the fixture first and then receive the DMX signal from the transmitter attached to the console by setting this on
Reset	<N> <Y>	Recover manufactory default

DMX Address

After select the "DMX Add" and press "Enter", use "Up" and "Down" button to select the desired DMX address, press "Enter" to save new setting

DMX Mode

After select the "DMX Cha" and press "Enter", use "Up" and "Down" button to select the desired DMX mode, press "Enter" to save new setting

Dimmer Mode

After select the "Dimmer" and press "Enter", use "Up" and "Down" button to select the desired dimmer curves

Manual Color Mode

Entered "Manual C" mode, use "Up" and "Down" button to select the each colour (Warm White, Cool White, Amber) intensity from 000 to 255, select strobe (S) speed from S000 to S025. (S000 is strobe off). Press "Enter" to save new setting.

Auto Run Mode

	Function
Pr 01	White, Cool White, Amber colour switching
Pr 02	Warm White → Cool White switching

Set auto run Pr 01 - Pr 02

Entered "Auto Pro" mode, use "Up" and "Down" button to select the built-in programs. Press "Enter" and use "Up" and "Down" button to select auto run speed from <Sp000> to <Sp100>. Press "Enter" and use "Up" and "Down" button to select dimmer of "Auto Pro" from <dim000> – <dim255>. Press "Enter" to save new setting.

Master/Slave Operation

Set the master fixture to one of the stand-alone operating modes: automatic, sound, static color or manual color modes. Set the slaves, entered "Mas/Sla" mode, set to "S", press "Enter" to confirm.

DMX Chart

1 channels Mode

Channel	Value	Function
1	000-255	dimmer 0% ~ 100% (dim the preset color selected in Menu)

2 channels Mode

Channel	Value	Function
1	000-255	Master Dimmer:0%~100%
2	000-255	ColorTemp Warm->Cold

3 channels Mode

Channel	Value	Function
1	000-255	Warm White: 0%~100%
2	000-255	Cool White: 0%~100%
3	000-255	Amber : 0%~100%

10 channels Mode

Channel	Value	Function
1	000-255	Dimmer Coarse
2	000-255	Dimmer Fine
3	000-255	Warm White: 0% ~ 100%
4	000-255	Cool White: 0% ~ 100%
5	000-255	Amber: 0% ~ 100%
6	000-015	No function (Shutter On)
	016-119	Strobe Slow -> Fast(1-25HZ)
	120-127	No function (Shutter On)
	128-183	Strobe Random Slow -> Fast
	184-191	No function (Shutter On)
	192-247	Strobe Audio sensitivity low -> high
	248-255	No function (Shutter On)
7	000-255	ColorTemp Warm->Cold
8	000-009	No function
	010-127	Auto Program1
	128-255	Auto Program2
9	000-255	Auto Speed Slow -> Fast
10		Dimmer_Curve
	000-050	Standard
	051-101	Stage
	102-152	TV
	153-203	Architec
	204-255	Theatre

TECHNICAL SPECIFICATIONS

Model	PAR5VW	PAR12VW
Dimensions and Weight		
Overall size LxWxH (mm)	207x227x120	263x293x98
Weight (kg)	1.9	3.2
Power		
Power Supply	100~240V AC, 50/60 Hz	
Power Consumption (w)	35W	60W
Power I/O	Seetronic True 1 input connector	Seetronic True 1 input/output connector
Fuse	T 1 A, 250 V	T 2 A, 250 V
LED	5pcs 6W Warm White+Cool White+Amber	12pcs 6W White+Cool White+Amber
Operation Modes	DMX, WDMX, auto run, sound active, master/slave, manual colour control, static colour control	
Beam Angle	30°/ optional 55°	
Refresh Rate	2940Hz	
DMX Channel mode	1,2, 3, 10	
DMX Interface	5-pin XLR in / out	

WARRANTY

Please refer to your local dealer or please contact Eventec

Website: www.eventec.com.au