



PAR6X120B2

6x 12W RGBWAU 6-in-1 Outdoor Battery LED PAR

USER MANUAL



For your safety, please read this user manual carefully before use.

Event Lighting reserves the right to revise the manual at any time. Information and specifications within this manual are subject to change without notice. Event Lighting assumes no liability or responsibility for any errors or omissions. Please consult Event Lighting for any clarification or information regarding this item.

Version 1.2 (updated 04 May 2023)

Safety Instructions

Warning

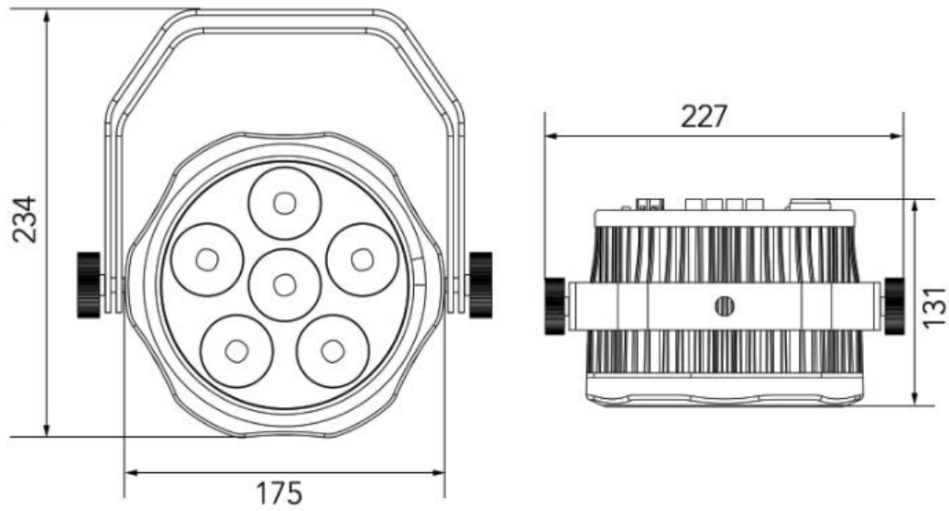
- Do not open this fixture, there are no user serviceable parts inside. Risk of electric shock.
- Do not look directly at the light source from close range.
- Avoid contact with the unit during operation, as the housing may become hot. Allow the fixture to cool for at least 15 minutes after turning off before touching.
- Install this fixture in a location with adequate ventilation, at least 50cm from adjacent surfaces.
- Do not operate this fixture, or connect this device to power, within 50cm of any flammable material.
- Use a safety chain when mounting this fixture overhead.
- Do not operate this fixture outdoors where excessive heat or water may affect it.
- This fixture is IP65 certified, meaning that it is protected against dust ingress, and protected against low pressure water jets from any direction. Ensure all protective covers are sealed correctly.
- Do not operate this fixture if the housing, lenses, or cables appear damaged.
- Do not connect this fixture to a dimmer or rheostat.
- Do not operate this fixture at temperatures higher than 40°C (104°F).
- **Only** connect this fixture to a grounded and protected circuit.
- **Only** use the hanging bracket to carry this fixture.
- Stop using this fixture immediately if a serious operating problem becomes apparent.

IMPORTANT: Only use an Outdoor DMX cable in the device's DMX out port. Use of other cables will cause the cable to become stuck in the port, requiring the unit to be repaired.

Product Installation

PAR6X12OB can be mounted in many orientations, provided each individual device is secured by the use of the correct mounting bracket. Use a safety chain when mounting PAR9X12OB overhead.

Dimensions



Lux Chart

Lux	@40°				
	1m	2m	3m	4m	5m
	Ø0.73	Ø1.46	Ø2.18	Ø2.91	Ø3.64
R	310	75	35	20	13
G	1,160	340	150	80	56
B	1,205	320	136	76	2
W	1,280	330	149	80	49
A	438	110	49	28	18
UV	238	62	26	15	10
Full	3,820	970	460	290	180

Control Operation



Button Operation

Menu: Return to the previous screen.

Up: Move selection up.

Down: Move selection down.

Enter: Confirm the selection.

Button Lock

While on the home screen, press **Down** for 3 sec to lock all buttons, preventing accidental input. While locked, press **Down** for 3 sec to unlock.

Wireless DMX Setup

To pair PAR6X12OB2 to a wireless DMX transmitter:

1. Connect a DMX controller to the wireless DMX transmitter.
2. Press **Power** switch to turn on PAR6X12OB2 and enable wireless DMX from the control panel: **Setting > Wireless > Wireless EN > ON**. To turn on the wireless indicator, go to **Settings > Display > Wireless LED > ON**.
3. Select Wireless Mode: Sure from the control panel: **Setting > Wireless > Wireless Mode**.
4. Press and hold **Power** and **Enter** until the indicator light flashes.
5. Press **Power** to select the WDMX channel group. Every time the power button is pressed, the selected WDMX channel group will be changed. The colour of the LED indicates the currently selected channel group, there are six different groups.

Note: To change the WMDX channel group once it is selected, restart the PAR6X12OB2, then repeat steps 3-5.

6. Press the button on the wireless DMX transmitter to change its channel group. The selected group needs to be the same as the one on the fixture.
7. Once the pairing is successful, the indicator light on the wireless DMX transmitter will flash red. The indicator light on the PAR6X12OB2 will flash green.

Power Switch

1. Short press the Power button then release it to turn on the PAR6X12OB2.
2. Long press the Power button until the indicator light flashes green, then release the Power button to turn off the fixture.
3. Every time the Power button is pressed when the PAR6X12OB2 is on, the wireless DMX mode will be changed.
4. Press and hold the Power button for 30 seconds to reset to factory settings. The indicator light will flash red.

Menu

Level 1	Level 2	Level 3	Level 4	Level 5	Function/Description	
Preset	ID				Select static colour mode, 0-39.	
	Master				Master dimmer, 0-100%	
	Red				Red, 0-255	
	Green				Green, 0-255	
	Blue				Blue, 0-255	
	White				White, 0-255	
	Amber				Amber, 0-255	
	UV				UV, 0-255	
Colour	ID				Select static colour mode, 0-63.	
	Master				Master dimmer, 0-100%	
Effects	Chase	Built in chase			Select a built in chase, 0-9.	
		User chase			Select a user chase, 0-7.	
		Edit chase	Edit scene: 0-63 Add scene: 0-63	Red	Ref. number: 0-103	
				Green		
				Blue		
				White		
				Amber		
	UV					
	Delete scene					
	Fading					
	Jumping					
	Pulse					
	Master				Master dimmer, 0-100%	
	Speed				Effect speed, 0-255	
Fade				Fade brightness, 0-100%		
Strobe	Strobe				Strobe, 0-255	
	Colour	Master				Master dimmer, 0-100%
		Red				Red, 0-255
		Green				Green, 0-255
		Blue				Blue, 0-255
		White				White, 0-255
		Amber				Amber, 0-255
		UV				UV, 0-255
Sound	Sound Enable				Off/On	
	Sensitivity				0-9	
	Brightness				0-9	
Settings	DMX Setting	DMX Address		Set DMX address, 0-512		
		Master/Slave		Set master/slave mode		
		Channel Mode		Set DMX channel mode, Normal (12)/ Simple (6)		

		When no DMX	Behaviour when DMX signal lost, OFF/ Hold/ Power up/ Last action
Wireless		Wireless En	Wireless DMX, Off/On
		Wireless Mode	Sure
Display		Screen Mode	Status/ On/ Off/ Logo
		Screen Time	Inactivity time for screen off, 0-255 sec
		Wireless LED	Wireless indicator light, On/Off
General	Power-up	Preset	Preset on power up, 0-39
		Colour	Colour on power up, 0-39
		Chase	Chase on power up, 0-20
		Last set	Last setting on power up
		Battery Mode	Bright/Normal/Life
		Dim Response	LEDs/Fast/Less Fast/Middle/Slow
		Dimming Curve	Linear/Log/S Curve/Exp
		RDM Enable	On/Off
		IR Enable	On/Off
		Power off Bat	Power off when battery depleted to this percentage, 0-50%
	Top Temp	25-125 degrees	
Password		Password	Off/On
		Set Password	Enter default password, Menu-Up-Enter-Down, then enter a new password
Time		Time	Enter the current time
		Power On	Power on fixture and start selected program at this time
		Power Off	Power off at this time
Load Factory		MENU	Cancel
		ENTER	Reset to factory default
Status	LED Current	Bright	0-100
		Red	0-100
		Green	0-100
		Blue	0-100
		White	0-100
		Amber	0-100
		UV	0-100
		Temperature	
		Battery Voltage	
		DMX Channel	
		RDM UID1	
		RDM U1D2	
		Software: BAT-6S02	
		Version: May 04 2022	

DMX Chart

Mode/Channel		Min DMX	Max DMX	Function
6 ch	12 ch			
	1	0	255	Master dimmer, 0-100%
1	2	0	255	Red, 0-100%
2	3	0	255	Green, 0-100%
3	4	0	255	Blue, 0-100%
4	5	0	255	White, 0-100%
5	6	0	255	Amber, 0-100%
6	7	0	255	UV, 0-100%
	8	0	255	Strobe, slow to fast
	9	0	8	No function
		9	127	40 preset colours
		128	255	63 factory colours
	10	0	19	No function
		20	89	18 chases
		90	127	Custom chases
		128	159	63 colour fade
		160	191	63 colour jump
		192	223	63 colour pulse
		224	255	Sound active mode
	11	0	255	Auto run speed, slow to fast
	12	0	5	No function
		6	55	Dimming speed 1
		56	105	Dimming speed 2
		106	155	Dimming speed 3
		156	205	Dimming speed 4
		106	255	Dimming speed 5

IR Remote

BLACK OUT

Press <Blackout> once to turn off the fixture, press any of 0-9 button to turn on the fixture.

AUTO

Automatic mode will enable you to run the chase programs on the fixture.

1. Press <AUTO> on the remote controller to turn on the Jump mode.
2. Press <BLACK OUT> to turn off the Jump mode.

SOUND

Sound-Active mode will enable the fixture to respond to music.

1. Press <SOUND> on the remote controller to turn on sound-active mode.
2. Press <BLACK OUT> to turn off the sound mode.

SENSITIVITY

To adjust sensitivity for sound mode:

1. Press < SENSITIVITY > on the remote controller.
2. Press <+> or < - > to adjust sound sensitivity.

STROBE

1. Press < STROBE > on the remote controller.
2. Press <+> or < - > to adjust strobe frequency, press <STROBE> again to turn off the strobe.

SPEED

Adjust the speed of Jump / Pulse / Fade programs

1. Press <SPEED> on the remote controller.
2. Press <+> or < - > to adjust the program speed.

FADE

1. Press <FADE> to turn on the fading program
2. Press <+> or < - > to adjust Fade Depth
3. Press <BLACK OUT> to turn off the fading.

MANUAL

1. Press <MANUAL> to turn on colour mode.
2. Press <R>, <G>, , <W>,<A> or <UV> to select red, green, blue, white, amber or UV.
3. Press <+> or < - > to adjust percentage of each colour

%

1. Press <%> on the remote controller to turn on the Pulse program
2. Press <BLACK OUT> to turn off the pulse program.

NUMBER 0~9

Preset colours, press a button 0-9 to turn on the corresponding colour.

Technical Specifications

Photometrics

- Light Source: 6x 6-in-1 RGBWAW 12 W LEDs
- Beam Angle: 40°
- Output: 3820 lux on @ 1 m RGBWAW Full on
- PWM: 20,000 Hz
- LED Lifespan: 50,000 hours

Effects:

- Dimming: 0~100%
- Strobe: 0~20 Hz

Power

- Input Voltage: 100~240V AC, 50/60 Hz, 72 W
- Connection: Seetronic® Outdoor True1 in

Control

- Operation Modes: DMX, Wireless DMX, manual, auto, sound active, master/slave, IR Remote
- Control Protocol: DMX512, Wireless DMX, IR
- Interface: 3-pin DMX in/out
- DMX Channels: 6 / 12
- Display: 4-button OLED control panel

Battery

- Single Colour (hr): up to 20
- Full Colour (hr): up to 4

Housing

- Materials: Die-cast aluminium, matte black finish
- Cooling: Fanless
- IP rating: IP65
- Net Weight: 3 kg
- Overall Size: 240 x 165 x 210 mm

Accessories

- Charging Road Case: PAR6CASEWC

Warranty

Please refer to your local dealer or contact Event Lighting.