



## PAR7X25Z-IP

7 x 25W RGBW IP65 Zoom Par

## USER MANUAL



**For your safety, please read this user manual carefully before use.**

Event Lighting reserves the right to revise the manual at any time. Information and specifications within this manual are subject to change without notice. Event Lighting assumes no liability or responsibility for any errors or omissions. Please consult Event Lighting for any clarification or information regarding this item.

Version 1.0 (September 2023)

## 1. Introduction

Thank you for purchasing our product. Before carrying out any operations with the product, carefully read this instruction manual and keep it with care for future reference. It contains important information about the installation, usage and maintenance of the unit. Please strictly follow it.

The product conforms to the international standard DMX512 agreement. The products can be controlled in signal use and also can be controlled in many units. Sleek and stylish, precise and accurate optical system design, bring and clear light effects. All above makes our products applicable to be used within the scope of film and television, theater, live events, trade show exhibits, educational facilities, retail environments, and corporate shows, etc.

\* The product is compliance with the CE & ROHS Standard.

\* The product belongs to our company. The intellectual property is exclusively reserved. We will file a lawsuit on condition that it is illegally copied and imitated.

## 2. Safety instructions

### **WARNING**

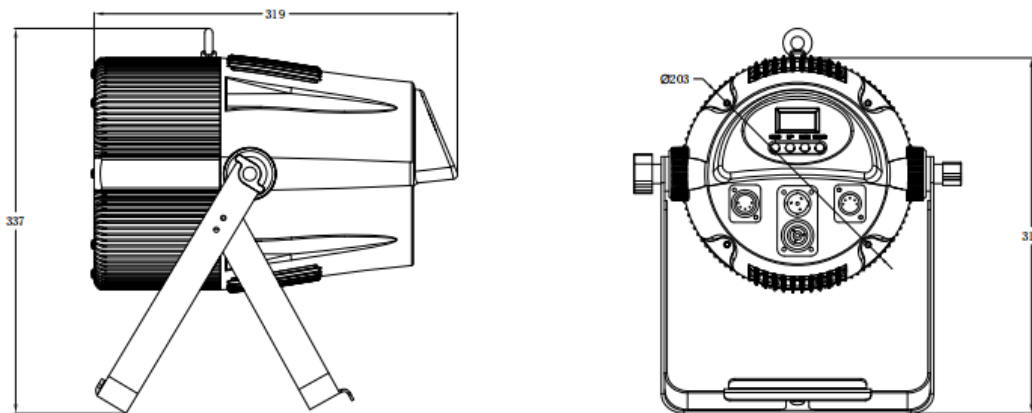
- Do not open this device, there is no user-serviceable parts inside. Risk of electric shock.
- Do not look at the light source when the device is on.
- CAUTION: This unit's housing may be hot during and after operation.
- Install this device in a location with adequate ventilation, at least 20 inch (50 cm) from adjacent surfaces.
- Do not leave any flammable material within 50 cm of this unit while operating or connected to power.
- Use a safety chain when mounting this device overhead.
- Do not operate this device outdoors or in any location where dust, excessive heat, water, or humidity may affect it.
- Do not operate this device if the housing, lenses, or cables appear damaged.
- Do not connect this device to a dimmer or rheostat.
- ONLY connect this device to a grounded and protected circuit.
- ONLY use the hanging bracket to carry this device.
- In case of a serious operating problem, stop using immediately.
- The maximum ambient temperature is 104° F (40° C). Do not operate this device at higher temperatures.

### 3. Description

#### Product features

- Made by die-cast aluminum material which makes the lamp more strong
- Good performance of cooling system with the quiet fan
- DMX controlled operation, possible work with any commercial DMX512 controller
- Rail-type hanging bracket, bracket position can be adjusted
- Different dimmer curves and dimmer speed adjustable
- Flicker free projection
- Ready for connection with power cord with safety-plug

### 4. Overview



## 5. Operation

Menu					
1st Menu	2nd Menu	3rd Menu	Value	Note	
DMX	Addr:	1-512		DMX512 address	
	Channel mode	4-CH		4 channels mode	
		6-CH		6 channels mode	
		11-CH		11 channels mode	
		15-CH		15 channels mode	
STATIC	CCT	CCT	2200 - 10000	2200K - 10000K	
		Dimmer	000 - 255	Master Dimmer	
		Strobe	000 - 255	Strobe	
		Zoom	000 - 255	Zoom	
	Colour	Colour			Red, Green, Blue, White...
		Dimmer	000 - 255		Master Dimmer
		Strobe	000 - 255		Strobe
		Zoom	000 - 255		Zoom
	Manual	R.	000 - 255		Red dimmer
		G.	000 - 255		Green dimmer
		B.	000 - 255		Blue dimmer

		W.	000 - 255	White dimmer
		Dimmer	000 - 255	Master Dimmer
		Strobe	000 - 255	Strobe
		Zoom	000 - 255	Zoom
AUTO	AUTO1			
	AUTO2			
	AUTO3			
	AUTO4			
	AUTO5			
	AUTO6			
	AUTO7			
	AUTO8			
	AUTO9			
	AUTO10			
PERSONAL	Curve	Linear		
		Square		
		Inv Square		
		S		
	Speed	Off		

		Low		
		Medium		
		High		
	Frequency	1000Hz		
		1200Hz		
		1500Hz		
		2000Hz		
		4000Hz		
		8000Hz		
	FAN MODE	FULL		
		AUTO		
		SILENT		
	DMX Fail	Blackout		Goes off when DMX signal is lost
Hold			Maintain final state when DMX signal is lost	
INFO	Version		Version	
	RDM UID		RDM unique ID	
	USAGE TIME			
	Temp		Temperature	
RESET	YES/NO		Reset	

Use 'Up' and 'Down' button to select your desired operation, press 'Enter' to set all function

## 6. DMX Modes

DMX512 Channel table

Modes				Value	Function
4-CH	6-CH	11-CH	15-CH		
	1	1	1	000 - 255	Master Dimmer
		2	2	000 - 255	Master Dimmer fine
1	2	3	3	000 - 255	Red
			4	000 - 255	Red fine
2	3	4	5	000 - 255	Green
			6	000 - 255	Green fine
3	4	5	7	000 - 255	Blue
			8	000 - 255	Blue fine
4	5	6	9	000 - 255	White
			10	000 - 255	White fine
		7	11	000 - 005	No function
				006 - 010	2200K
				011 - 015	2700K
				016 - 020	3000K
				021 - 025	3200K



				026 - 030	4000K
				031 - 035	4500K
				036 - 040	5000K
				041 - 045	5600K
				046 - 050	6000K
				051 - 055	6500K
				056 - 060	7000K
				061 - 065	8000K
				066 - 255	10000K
	6	8	12	000 - 255	Zoom
		9	13	000 - 255	Strobe slow to fast
		10	14	000 - 030	Fade off
				031 - 060	Low
				061 - 090	Medium
				091 - 255	High
		11	15	000 - 050	Linear
				051 - 100	Square law
				101 - 150	Inv square law
				151 - 255	S curve

## 7. Fuse Replacement

If the fine-wire fuse of the device fuses, only replace the fuse by a fuse of same type and rating. Before replacing the fuse, unplug mains lead.

Procedure:

Step 1: Unscrew the fuse holder on the rear panel with a fitting screwdriver from the housing (anticlockwise).

Step 2: Remove the old fuse from the fuse holder.

Step 3: Install the new fuse in the fuse holder.

Step 4: Replace the fuse holder in the housing and fix it.

## 8. Technical specifications

Product name:	Led zoom par light
Voltage:	100 - 240V AC
Frequency:	50/60Hz
Light Source:	RGBW
Beam angle:	9-90°
Color temperature:	2200K-10000K
CRI:	Up to 90
Dimming Range:	16bit smooth dimming 0-100%
DMX Channel:	4CH/6CH/11CH/15CH Optional
Control system:	DMX512 signal
Display Screen:	4-Button OLED Screen
IP Rating:	IP65
Ambient Temp.:	-15°C ~ 35°C
Product size:	287x311x31mm
Weight:	6.5kgs

## Warranty

Please refer to your local dealer or contact Event Lighting.