



PAR9X150

9x 15W RGBW 4-in-1 Outdoor LED PAR

USER MANUAL



For your safety, please read this user manual carefully before use.

Event Lighting reserves the right to revise the manual at any time. Information and specifications within this manual are subject to change without notice. Event Lighting assumes no liability or responsibility for any errors or omissions. Please consult Event Lighting for any clarification or information regarding this item.

Version 1.0

Safety Instructions

Warning

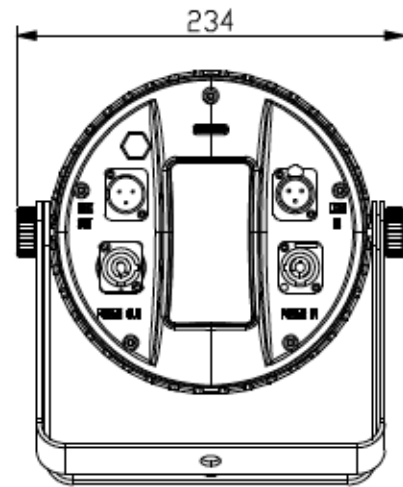
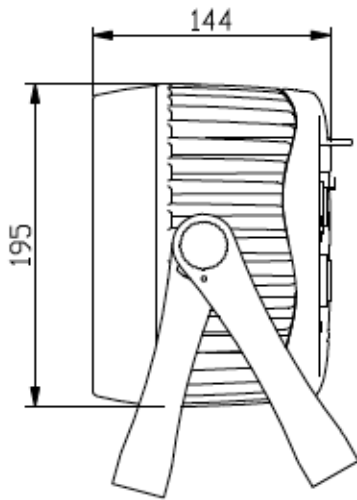
- Do not open this device, there are no user serviceable parts inside. Risk of electric shock.
- Do not look directly at the light source from close range.
- Avoid contact with the unit during operation, as the housing may become hot. Allow the fixture to cool for at least 15 minutes after turning off before touching.
- Install this device in a location with adequate ventilation, at least 50cm from adjacent surfaces.
- Do not operate this device, or connect this device to power, within 50cm of any flammable material.
- Use a safety chain when mounting this device overhead.
- Do not operate this device outdoors where excessive dust, heat, water, or humidity may affect it.
- This device is IP65 certified, meaning that it is protected against dust ingress, and protected against low pressure water jets from any direction. Ensure all protective covers are sealed correctly.
- Do not operate this device if the housing, lenses, or cables appear damaged.
- Do not connect this device to a dimmer or rheostat.
- Do not operate this device at temperatures higher than 40°C (104°F).
- **Only** connect this device to a grounded and protected circuit.
- **Only** use the hanging bracket to carry this device.
- Stop using this device immediately if a serious operating problem becomes apparent.

IMPORTANT: Only use the provided Outdoor DMX cable in the device's DMX out port. Use of other cables will cause the cable to become stuck in the port, requiring the unit to be repaired.

Product Installation

PAR9X150 can be mounted in many orientations, provided each individual device is secured by the use of the correct mounting bracket. Use a safety chain when mounting PAR9X150 overhead.

Dimensions



Lux Chart

Distance (m)	2	4	6	8
Diameter (m)	Ø 0.88	Ø 1.77	Ø 2.65	Ø 3.55
Red	3950	470	159	68
Green	7220	854	324	142
Blue	10550	1405	487	205
White	6790	814	298	115
Full	22500	3040	950	402

Control Operation



-  MENU
-  UP
-  DOWN
-  ENTER

Button Operation

Menu: Return to the previous screen.

Up: Move selection up.

Down: Move selection down.

Enter: Confirm the selection.

Button Lock

While on the home screen, press **Down** for 3 sec to lock all buttons, preventing accidental input. While locked, press **Down** for 3 sec to unlock.

Menu

Set DMX Address Code

1. Press **Menu** until “Address Set” is highlighted then press **Enter**.
2. The screen will display “Address Set: 001”. Press **Up** or **Down** to change.
3. Press **Enter** to save and exit, or press **Menu** to exit without saving.

Menu Description

Level 1	Level 2	Level 3	Description	
Address	001-512		DMX Address Setting	
DMX ch.	4 ch		4 channel DMX mode	
	6 ch		6 channel DMX mode	
	8 ch		8 channel DMX mode	
Auto/Sound	Jump	Speed	Colour Jump mode. Adjustable speed (0-99).	
		Intensity	Colour Jump mode. Adjustable brightness (0-99).	
	Fade	Speed	Colour Fade mode. Adjustable speed (0-99).	
		Intensity	Colour Fade mode. Adjustable brightness (0-99).	
	Pulse	Speed	Colour Pulse mode. Adjustable speed (0-99).	
		Intensity	Colour Pulse mode. Adjustable brightness (0-99).	
	Combined	Speed	Combination of Jump, Fade and Pulse. Adjustable speed (0-99).	
		Intensity	Combination of Jump, Fade and Pulse. Adjustable brightness (0-99).	
	Sound	Sensitivity	Sound control sensitivity.	
		Intensity	Sound control brightness.	
Manual	R	Intensity	Red colour manual dimmer (0-255)	
	G	Intensity	Green colour manual dimmer (0-255).	
	B	Intensity	Blue colour manual dimmer (0-255)	
	W	Intensity	White colour manual dimmer (0-255)	
	Strobe	Speed	Master strobe speed	
Settings	Dimmer Mode	Linear		
		Square		
		Log		
	Temp		Display current temperature	
	Lost DMX	Clear	Black out the unit when DMX signal is lost.	
		Hold	Maintain the last setting when DMX signal is lost.	
Reset	Yes/No	Reset all settings to factory defaults.		
Wireless DMX	On/Off		Turn Wireless DMX on or off.	
	Mode	W-DMX	Receiver	Delete Connection
			Transmitter	Delete Connection
				Create Connection
	EL Mode		1-6 ch.	

DMX Chart

4-Channel Mode

Channel	Value	Function	Description
1	0-255	Red Intensity	Red 0-100%
2	0-255	Green Intensity	Green 0-100%
3	0-255	Blue Intensity	Blue 0-100%
4	0-255	White Intensity	White 0-100%

6-Channel Mode

Channel	Value	Function	Description
1	0-255	Red Intensity	Red 0-100%
2	0-255	Green Intensity	Green 0-100%
3	0-255	Blue Intensity	Blue 0-100%
4	0-255	White Intensity	White 0-100%
5	0-255	Master Dimmer	All colours 0-100%
6	0-1	Strobe	Strobe off
	2-255		Strobe speed adjustment

8-Channel Mode

Channel	Value	Function	Description
1	0-255	Red Intensity	Red 0-100%
2	0-255	Green Intensity	Green 0-100%
3	0-255	Blue Intensity	Blue 0-100%
4	0-255	White Intensity	White 0-100%
5	0-255	Master Dimmer	All colours 0-100%
6	0-1	Strobe	Strobe off
	2-255		Strobe speed adjustment
7		Auto Jump	
		Auto Fade	
		Auto Pulse	
		Auto Combined	
		Sound	
8		Speed of Auto programs or sound sensitivity.	

Technical Specifications

Power

- Input Voltage: 100~240V AC, 50/60 Hz.

- Power Consumption: 150W.
- Connection: Seetronic True1 Outdoor Power in/out.

Photometrics

- Light Source: 9x 15W RGBW LEDs.
- Beam Angle: 25°.
- PWM: 20,000 Hz
- LED Lifespan: 50,000 hours.

Effects

- Dimming: 0-100%.
- Strobe: 1-20 Hz.

Control

- Protocol: DMX512 (Optional Wireless DMX).
- DMX Channels: 4 / 6 / 8.
- Interface: Outdoor 3-pin XLR in and Outdoor 3-pin XLR out.
- Built-in Programming: 4 built-in auto modes.
- Display: LCD Display with 4-button control.
- Cooling: Fanless

Housing

- Materials: Die Cast Aluminium.
- Finishing: Matte Black.
- IP Rating: IP65.
- Net Weight: 6.5kg
- Overall Size: 234x195x144 mm.
- Optional: Barn Door.

Warranty

Please refer to your local dealer or contact Event Lighting.