



SPIGOT POWER TRUSS

T3BLSPD* Series

USER MANUAL



For safety, please read this user manual carefully before initial use.

Event Lighting reserves the right to revise the manual at any time. Information and specifications within this manual are subject to change without notice. Event Lighting assumes no liability or responsibility for any errors or omissions. Please consult Event Lighting for any clarification or information regarding this item.

www.eventec.com.au

Ver 1.1 (01.11.2024)

CONTENTS

Safety Instructions	2
Product Assembly	3
Product Dismantling	3
Load Ratings	4
Specifications	4
Warranty.....	4

The following guide helps improve safety, ensure proper setup, and minimize electrical risks during the use of your Power Truss system.

Safety Instructions

WARNING

- Trusses and truss constructions are designed exclusively for suspending static loads. The loading tables in this manual are valid only for static loads.
- **Electrical Safety:** Always disconnect power from the truss setup and any connected devices before beginning assembly or dismantling. Ensure that power remains off until all connections and fixture installations are complete.
- Assembly and handling must be performed by trained, competent personnel. If you lack the necessary experience or knowledge, do not attempt assembly—contact a qualified rigging or electrical specialist.
- Handle truss elements carefully. Avoid dropping, dragging, or stacking them in a manner that might cause damage.
- Protect truss components from sharp edges (such as forklift forks) to prevent damage.
- Unauthorized modifications to the trussing are prohibited. Altering any components can compromise safety and void all load ratings.
- When rigging, dismantling, or servicing trussing, always ensure the area below is securely blocked off to prevent unauthorized access.
- A qualified person must confirm that all truss connections are secure before applying loads or energizing any connected fixtures.

Product Assembly

The Event Lighting Ladder style truss requires the chords to be facing down for bracing when used in a horizontal position. Incorrect use will void any form of load ratings

1. Initial Setup and Inspection

- Inspect the truss, truss pins, couplers, safety clips, and power connectors for any signs of damage. Replace any damaged items before use.

2. Truss Connection

- Insert a coupler halfway into a main tube, aligning the holes in the coupler and main tube. Ensure the larger hole in the coupler faces outward.
- Insert a truss pin with the narrow end down, using a copper or synthetic hammer to ensure a tight fit. Secure each pin with a safety clip to prevent it from falling out.
- Repeat for each main tube, rotating the truss if necessary to complete all connections.

3. Power / Signal Connections

- Ensure that power to the truss setup is turned off before connecting cables.
- Connect the power cable to the TRUE1 power socket at one end of the truss section. Link each truss section to the power line by connecting the TRUE1 power patch cable between each section.
- For lighting control, connect the DMX interface cable to the 5-pin XLR socket on one end of the truss, adding additional 5-pin XLR patch cables between truss sections as needed.

4. Final Safety Check

- Before turning on power, conduct a final inspection to ensure all truss connections, power, and DMX connections are secure. Confirm that all safety clips are in place and that cables are routed to avoid strain or tripping hazards.

Product Dismantling

1. Power Off and Disconnect

- Turn off and disconnect power to all truss sections and connected fixtures before dismantling.
- Unplug all TRUE1 and XLR patches between truss sections.



2. Disassemble the Truss

- Remove safety clips from each pin. Carefully push the truss pins from the inside out, using a hammer if necessary. Exercise caution, as truss pins can fly off if struck forcefully.
- Loosen the connections and gently separate each truss section.

3. Collect and Secure Components

- Gather all couplers, truss pins, safety clips, and power/DMX patches, storing them in a secure location for future use.

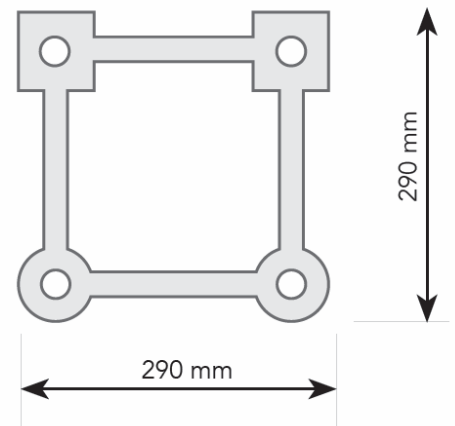
Load Ratings

SPAN (M)	2m	3m	4m	5m	6m	7m	8m	9m	10m	11m	12m
Centre Point Load (kg)											
	2269	1682	1267	1041	715	550	525	455	408	384	360
Deflection (mm)	2	6	10	13	20	30	35	45	65	87	110
Uniform Load (kg)											
	1900	1679	1410	1236	1165	1000	825	750	700	650	600
Deflection (mm)	2	7	12	20	28	35	40	86	106	120	133

Specifications

290mm Aluminium Lighting Spigot Power Truss,
3mm wall thickness

- Main Tube: 50mm x 3mm
- Vice Brace: 25mm x 2mm
- Materials: Aluminum alloy 6061-T6
- Finishing: Washed or Black
- Power interface: TRUE1 in/out every half metre
- XLR interface: 5-pin in/out every half metre
- Rating: TUV
- Dimensions (W x H): 290 x 290 mm



WARRANTY

Please refer to your local dealer or please contact Eventec

Website: www.eventec.com.au