



**PS200LEV**

**200W RGBL LED Profile Spot Variable White Light Engine**

**USER MANUAL**



**For safety, please read this user manual carefully before initial use.**

Event Lighting reserves the right to revise the manual at any time. Information and specifications within this manual are subject to change without notice. Event Lighting assumes no liability or responsibility for any errors or omissions. Please consult Event Lighting for any clarification or information regarding this item.

[www.event-lighting.com.au](http://www.event-lighting.com.au)

Ver 1.0

# Safety Instructions

## WARNING

- Do not open this device, there is no user-serviceable parts inside. Risk of electric shock.
- Do not look at the light source when the device is on.

## CAUTION: This unit's housing may be hot during and after operation.

- Install this device in a location with adequate ventilation, at least 500mm (20 inches) from adjacent surfaces.
- Do not leave any flammable material within 500 mm (20 inches) of this unit while operating or connected to power.
- Use a safety wire when mounting this device overhead.
- Do not operate this device outdoors or in any location where dust, excessive heat, water, or humidity may affect it.
- Do not operate this device if the housing, lenses, or cables appear damaged.
- Do not connect this device to a dimmer or rheostat.
- ONLY connect this device to a grounded and protected circuit.
- ONLY use the hanging bracket to carry this device.
- In case of a serious operating problem, stop using immediately.
- The maximum ambient temperature is 40° C (104° F). Do not operate this device at higher temperatures.

## Power Input & Power Linking

This device has an auto-switching power supply to work with an input voltage range of 100~240 VAC, 50/60 Hz.

Link up to the maximum 15A. DO NOT exceed this.

## Fuse Replacement

If the fine-wire fuse of the device fuses, only replace the fuse by a fuse of same type and rating. Before replacing the fuse, unplug mains lead and ensure the unit is cool to touch.

## Procedure:

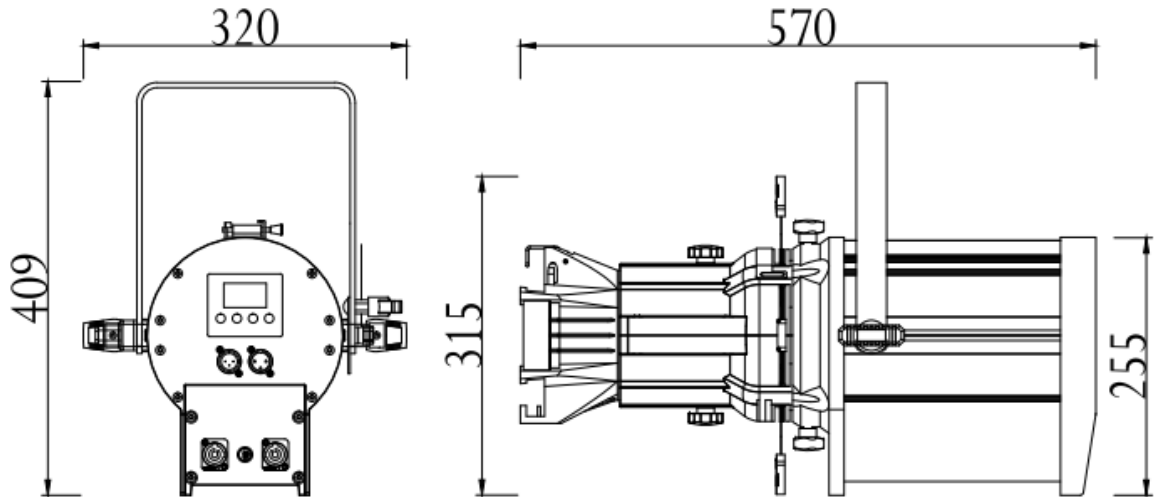
Step 1: Unscrew the fuse holder on the rear panel with the correct fitting screwdriver from the housing (anticlockwise).

Step 2: Remove the old fuse from the fuse holder.

Step 3: Install the new fuse in the fuse holder.

Step 4: Replace the fuse holder in the housing and re-screw it so it is secured in place (clockwise).

## DIMENSIONS



## CONTROL BOARD OPERATION

**Menu** – Accesses the menu system or backs out of editing an entry.

**Up** – Selects the previous mode or increases the value of the selected mode.

**Down** – Selects the next mode or decreases the value of the selected mode.

**Enter** – Selects or confirms the currently displayed mode for editing or accepts the edited value.



# MENU

1st Menu	2nd Menu	Value	Note
DMX	addr:	1-512	DMX512 address
CHAN	2-CH		Dimmer, CCT adjust
	3-CH		Dimmer, CCT adjust, Strobe
	5-CH		Dimmer, DimmerFine, CCT adjust, CCT Preset, Strobe
CHAN	DIM	0 - 255	Dimming
	CCT	0 - 255	Change colour temperature from 2700-7000K
	Pre	Off / 3200K-6000K/ User1- User5	Select CCT Presets
	STO	0 - 255	Strobe
PreCCT (Preset CCT)	3200K - 6000K User 1 - User 5	0 - 255	CCT preset
FADE	On / Off		Fade dimming
CURVE	Linear		Linear curve dimming
	S		5 curve dimming
	Log		Logarithmic curve dimming
FRE.	600-8000Hz		PWM frequency
TEMP	Cur:000		Fixture temperature
FRE.	600-8000Hz		PWM frequency
FAN	Max		Maximum fan speed
	Auto		Temperature controlled fan speed
	Silent		NR25, Theatre mode
RESET	YES/NO		Recover to manufacturers default
VERSION	D200.1		Version number

## DMX CHART

CHANNEL			VALUE	DESCRIPTION
02-CH	03-CH	05-CH		
1	1	1	000 - 255	Dimmer
		2	000 - 255	Dimmer fine
2	2	3	000 - 255	Colour temperature
				Preset colour temperature
			000 - 010	No function
			011 - 035	3200K
			036 - 060	4000K
			061 - 085	5000K
			086 - 110	5600K
			111 - 135	6000K
			136 - 160	User1
			161 - 185	User2
			186 - 210	User3
			211 - 235	User4
			236 - 255	User5
	3	5	000-255	Strobe

## WARRANTY

Please refer to your local dealer or please contact Event Lighting Pty Ltd  
 Website: [www.event-lighting.com.au](http://www.event-lighting.com.au)