



SPLIT6

6 way DMX Splitter

USER MANUAL



For your safety, please read this user manual carefully before use.

Event Lighting reserves the right to revise the manual at any time. Information and specifications within this manual are subject to change without notice. Event Lighting assumes no liability or responsibility for any errors or omissions. Please consult Event Lighting for any clarification or information regarding this item.

Thank you for selecting the SPLIT6. It is a useful DMX tool for lighting system. The unit allows you to split a DMX signal into six separate signal outputs. Also it boost your DMX signal for extensive cable runs between DMX lighting fixtures. To optimize the performance of this product, please read the user manual carefully before use.

WHAT IS INCLUDED

The following items are included in the box:

- 1pc SPLIT6
- 1pc User Manual

Carefully unpack the carton, check the contents to ensure that all parts are present, and have been received in good condition. Contact your supplier immediately and retain packing material for inspection if any part is missing or damaged.

SAFETY INSTRUCTION



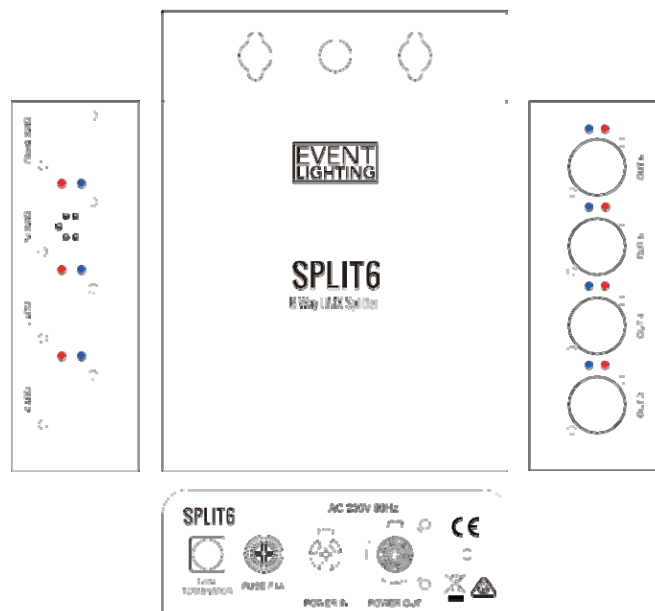
WARNING!!! To reduce the risk of fire, electric shock, or injury to persons, follow these important safety instructions:

- This product is intended for indoor use only!
- Always turn off, unplug power and allow fixture to cool before servicing.
- Ensure that fixture is properly grounded.
- Please keep this User Guide for future consultation.
- To prevent risk of fire or shock, do not expose fixture to rain or moisture.
- The unit must be installed in a location with adequate ventilation. Be sure no ventilation slots are blocked.
- Make sure power cord is never crimped or damaged.
- Do not remove the top cover under any conditions. There are no user serviceable parts inside.
- Disconnect the unit's main power when left unused for long periods of time.
- Never connect this unit to a dimmer pack.
- Never operate this unit when it's cover is removed.

FEATURES

- 1 input to 6 outputs plus DMX Thru
- 100% isolation for all input & outputs
- Booster and repeat DMX signal
- Split DMX signal and build star topology
- Protect your devices against over-voltage
- Power and signal indicator each output
- Terminator button for the last unit
- DMX Input: 5pin XLR In
- DMX Thru: 5pin XLR Out
- DMX Outputs: 5pin XLR Out
- Powercon True1 IN & Out
- Wall or truss mounted

PRODUCT OVERVIEW



INSTALLATION

The unit is designed for wall or truss mounting.

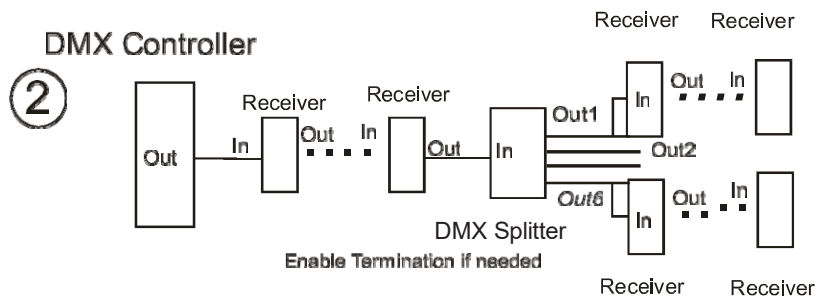
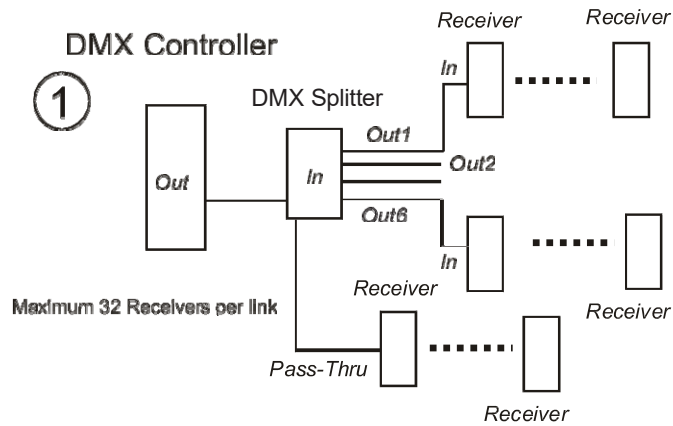
AC POWER

The unit is designed to work on AC 100V-240V 50Hz. Before applying power to a unit, make sure that the unit's input voltage matches the power source voltage.

WARNING: All units must be connected to circuits with a suitable Earth Ground.

CONNECTION DIAGRAMS

1. Connect DMX Out from external DMX controller to DMX In of DMX Splitter .
2. Use the 6 outputs to send DMX signal to DMX devices.



WARNING: disconnect mains supply before making any type of connection.

LED INDICATORS

Each output comes with one red power indicator and one blue signal indicator. When the unit is powered on all red power indicators are lit up. When the unit receives DMX signal all blue indicators stay solid on. This is useful to immediately identify a bad output channel.

LED Status	Possibility
Power indicator is not lit up or dim while Signal indicator is OK and signal output is normal.	Power indicator fails. Check and replace it.
Both power indicator and signal indicator are not lit up. Also there is not signal output.	Open circuit between power module and PCB. Check the output from power module to PCB.
Power indicator is OK. Signal indicator is not lit up while signal output is normal.	Signal indicator fails. Check and replace it.
Power indicator is OK. Signal indicator is not lit up and there is not signal output.	The 75176 chip on PCB fails. Check and replace it.

SPECIFICATIONS

Power in: AC 100-240V 50-60Hz

Power consumption: 6W max.

Fuse: F1A / 250V

Dimension: 242 x 140 x 55 mm

Weight: 1.4 kg

Warranty

Please refer to your local dealer or contact Event Lighting.

www.event-lighting.com.au