

# Acclaim V3 Series

Exploring infinite possibilities

# A27 V3 series

A2712 V3 | A2715 V3 | A2719 V3 | A2725 V3



**16:9**  
Aspect ratio



**APS technology**  
Effective energy saving



**800-1000nit**  
High brightness



**Color Management Technology**  
Image processing technology



**Wide viewing angle**  
No color cast



**Overcurrent protection**  
For safe and reliable display



**Simple Design**  
Modular wireless



**Precise floating connector**  
Bright and dark lines adjustment

# For Main Application Scenarios of High-End Enterprises/ Retail



Entrance & Lobby



Chain Store



4S Car Shop



Meeting Room



Exhibition Hall



Monitoring Center



Conference Hall



Flagship Stores

And More Application Scenarios.....

# “∞” represent infinite possibilities

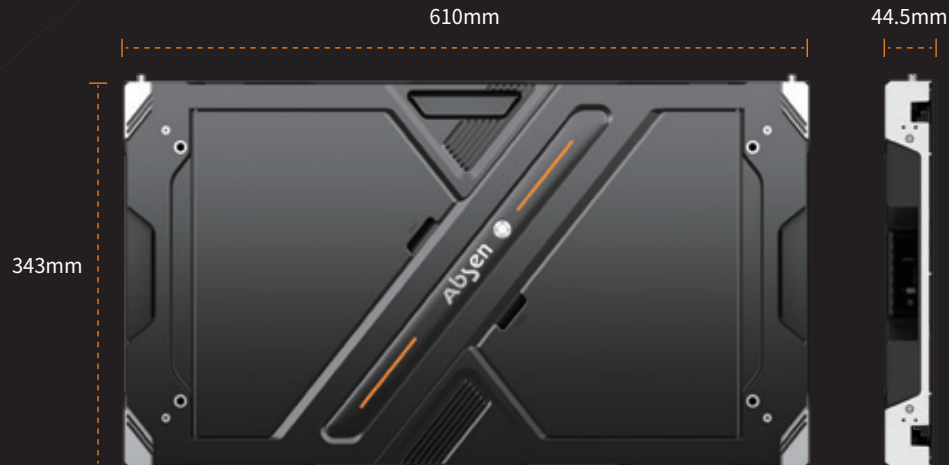
---

The "∞" element in design implies a visual feast full of infinite possibilities. The elegant black appearance shows Absen's unwavering efforts in the display industry, and its confidence and commitment to offering high-quality products.



# Aspect ratio and lightweight design

The panel has an aspect ratio of 16:9 for optimal visual effects, ideal for commonly viewed videos;  
The panel has a thickness of 44.5mm and a weight of 24kg/m<sup>2</sup>.



**16:9**  
Aspect ratio



**44.5mm**  
Ultra-thin design



**24kg/m<sup>2</sup>**  
Ultra-lightweight

# HD Resolution for ultimate enjoyment

Available in multiple pixel pitches to build 2K/4K/8K displays for an ideal HD viewing experience at various viewing distances.



## A2712 V3

2K, 4 \* 4  
4K, 8 \* 8  
8K, 16 \* 16

## A2715 V3

2K, 5 \* 5  
4K, 10 \* 10  
8K, 20 \* 20

## A2719 V3

2K, 6 \* 6  
4K, 12 \* 12  
8K, 24 \* 24

## A2725 V3

2K, 8 \* 8  
4K, 16 \* 16  
8K, 32 \* 32

3.6m

4.5m

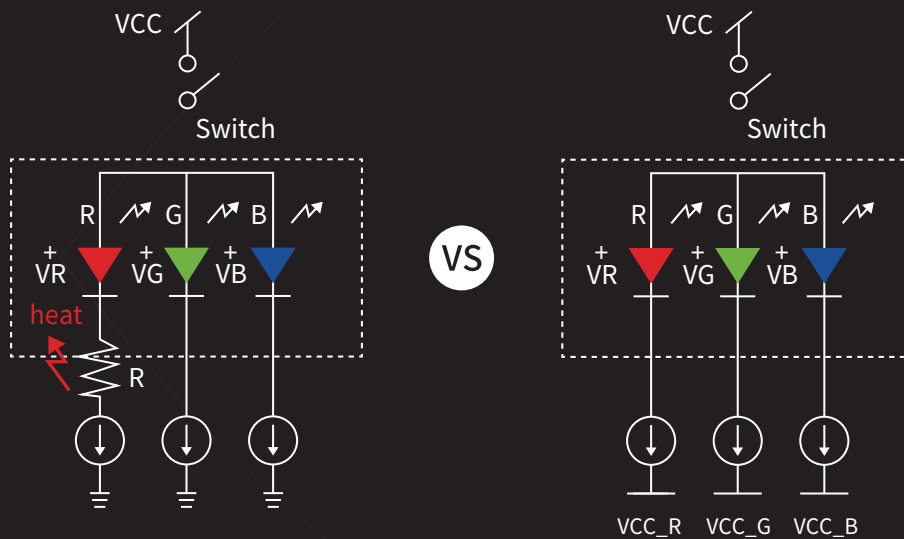
5.7m

7.5m



# APS energy-saving technology

Absen's APS technology can lower power consumption by up to 30% or more\*, and reduce the surface temperature of the screen.



Conventional LED Signage

A27 V3 Series



Reduce power consumption by over 30%+



Low 4~8°C heat emission



Low energy cost

\*APS energy-saving technology only available with the A27 V3 series.

\*APS: Absen's exclusive energy-saving technology, which enhances power supply efficiency through precision power supply to RGB lamp beads.

# A5C+ calibration technology

The A5C+ pixel by pixel calibration technology effectively improves display uniformity and color consistency, and significantly enhances color saturation to recreate the natural splendor of the real world.

Before correction



A5C+ calibration  
technology



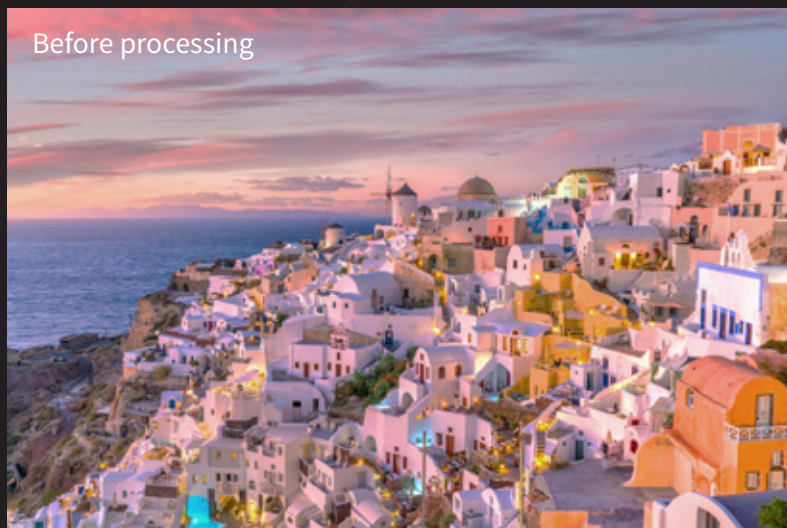
After correction





# Premium color management technology

Absen's professional color management technology offers an automatic adaptation to the source video color gamut, saturated color display, excellent sharpness, rich texture in dark areas, and precise color reproduction.



**>90% DCI-P3**  
Wide color gamut



**4500: 1**  
High contrast ratio\*



**16bit**  
High grayscale\*

\*A2712/25 V3 contrast ratio: 4000:1, A2715/19 V3 contrast ratio: 4500:1.

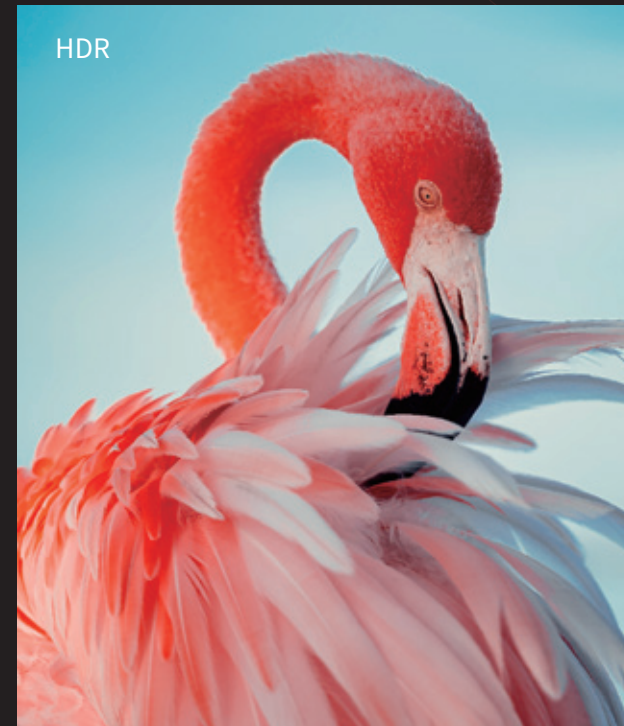
\*After internal processing, the grayscale can reach 16bit, and the hardware is 14bit.

# HDR10

Converts SDR source to HDR image quality for a visual feast of true-to-life colors and finest details.



• Conventional display performance



• **Sharper details**

\*Ceiling installation solution needs to be customized.

# Wide viewing angle

Acclaim V3 series' viewing angles can reach 160/160, allowing for even color rendering without color casts.



- Other displays: have a limited viewing angle and color separation is visible in the side view

- **A27 V3 series: Broad viewing angle with uniform colors**

# Stunning sunlight readability

The brightness of the A2712/15 V3 series can reach 800 nits, while the brightness of the A2719/25 V3 series can reach 1,000 nits.



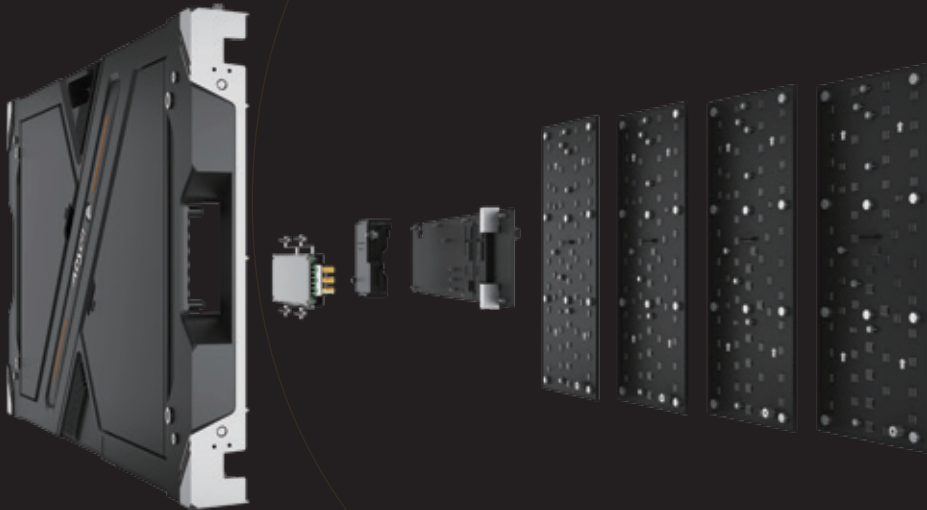
# Overcurrent protection

The overcurrent protection technology safeguards modular components when there is an abnormal electric current. The device prevent major accidents, such as fires, when components are short-circuited or faulty for a variety of causes.



# Simple design

Using modular design, the interior of the cabinet is more concise, without complicated wires.  
Precise floating connectors facilitate bright and dark line adjustment for high display consistency.



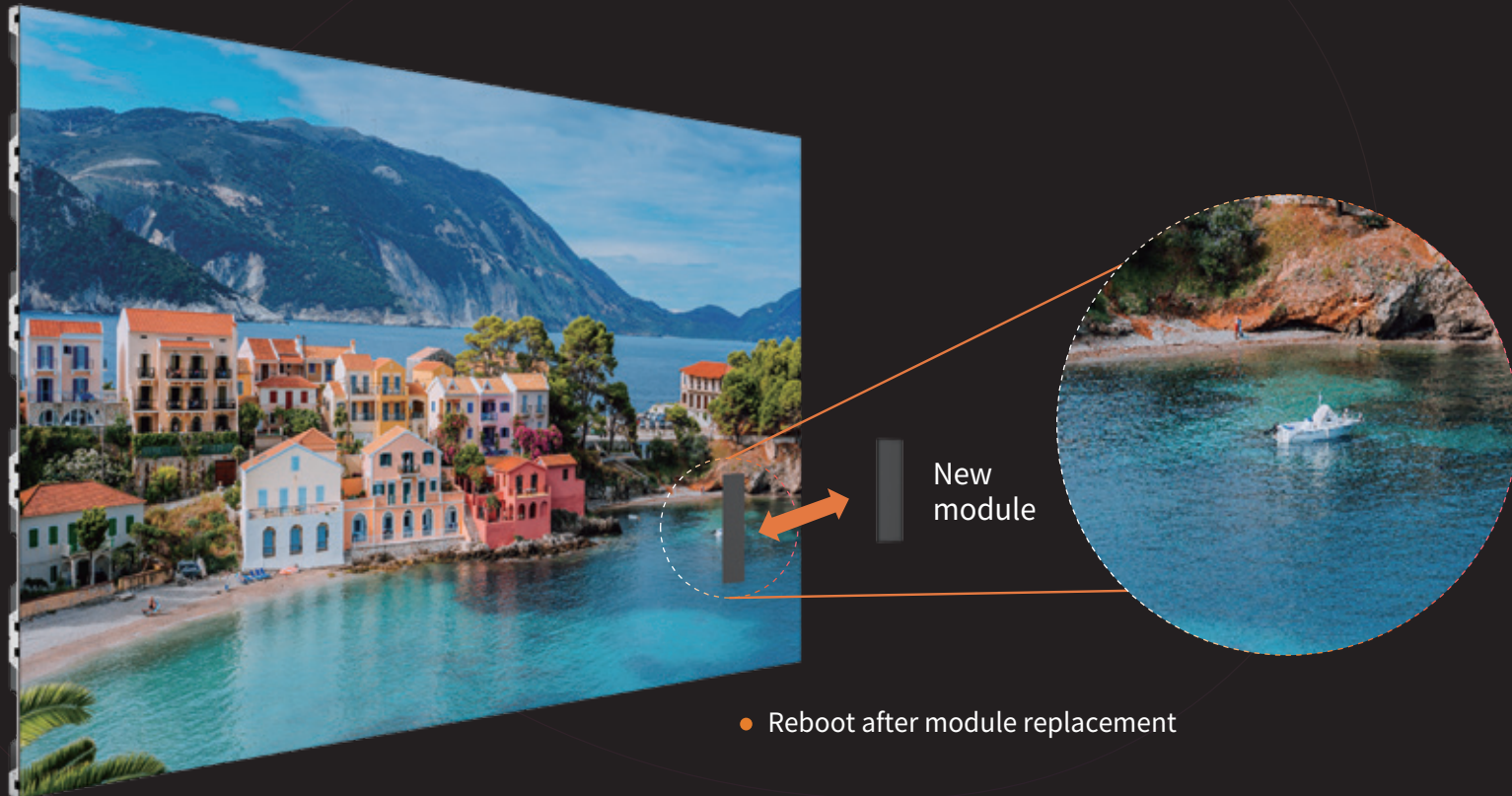
● Modular design



● Precise floating connector

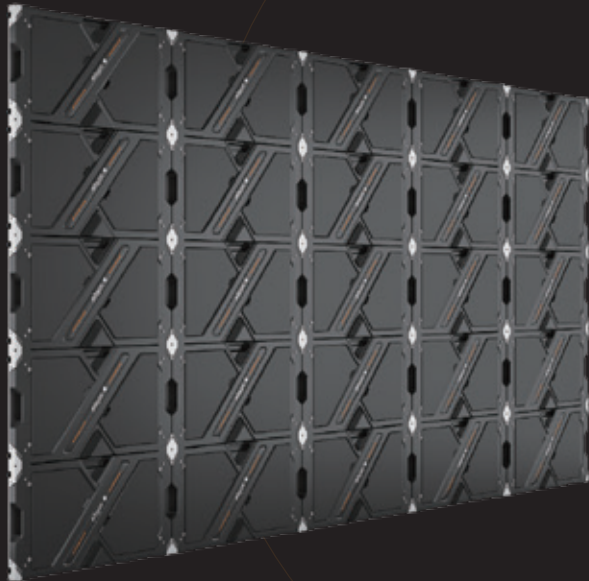
# Automatic read back of module data

There is no need to load the configuration file manually while switching modules. After a reboot, it will display automatically.



# Hidden wiring design

The hidden wiring design offers a clean appearance in the back, focusing on friendly and secure user experience.



- There are no visible wires on the back



- Power cable wiring



- Signal cable wiring



# Ergonomic design, easy to use

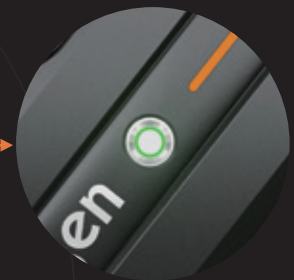
The panels can be easily installation and maintenance due to the ergonomic handles.



Convenient handle



Anti-slip left handle



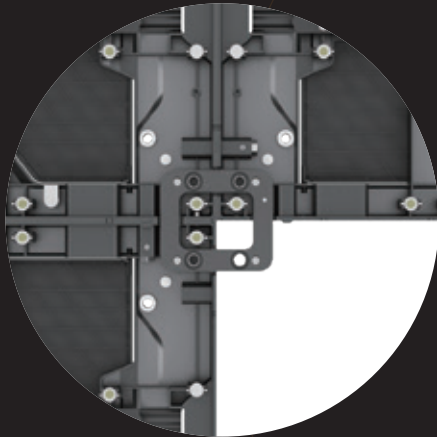
Pilot lamp



Anti-slip right handle

# Panel flatness adjustment

Internal adjustable connector and X/Y/Z axis alignment adjustment for multi-dimensional improvement of flatness between panels.



**Internal adjustable connector**  
Flatness accuracy adjustment



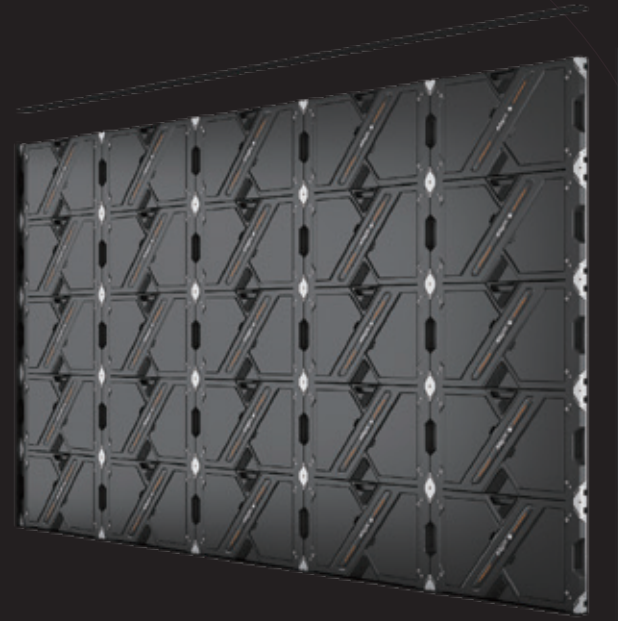
**X/Y/Z axis alignment**  
Flatness adjustment between panels\*

\*Wall-mounting installation and hanging installation will be equipped with Internal adjustable connector.

\*Z-axis alignment function is only available for ground stacking installation.

# Delicate, ultra-thin trim pieces

Standard ultra-thin trim pieces solutions are available to hide side wiring, and enhance customer viewing experience.



**Metal spraying process**

Delicate and smooth



**5mm thickness**

Ultra-thin design

\*Trim pieces solutions are optional.

# Ultra-slim wall mount solution

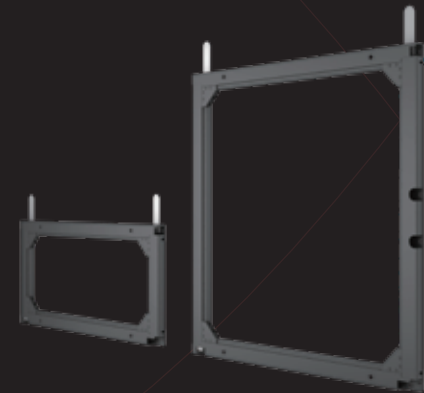
Standard wall-mounting solution enables a thickness of less than 75mm, maximizing installation space savings.



- Total thickness:  
**71mm**



- Thickness of frame kit:  
**23.5mm**



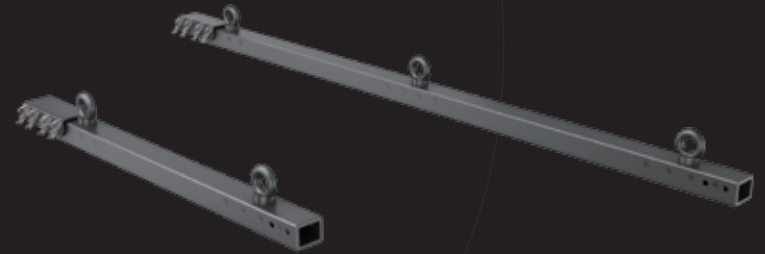
- 1x/2x frame kit

# Hanging installation

Providing standard hanging installation solutions to fulfill the demands of various environments.



- Installation with all-black hanging bar



- 1x/2x hanging bar

# Stacking installation

Stacking installation solution is provided for quick installation of LED display wall.



- Installation with steel structure

# Ceiling installation

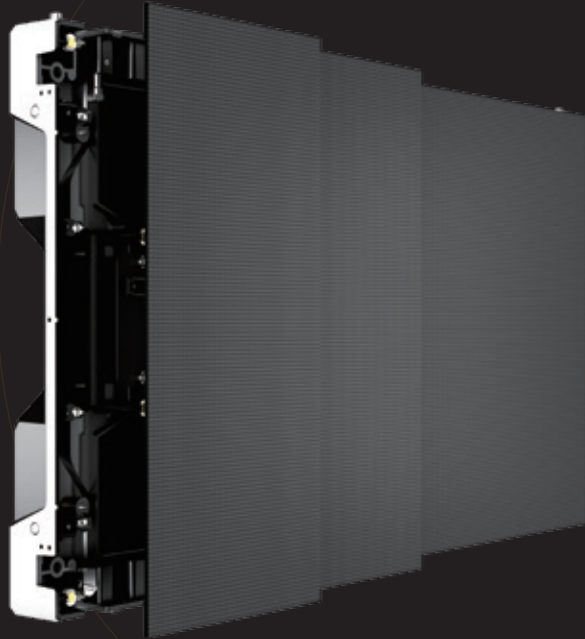
The ceiling display is also provided for an enhanced visual experience\*.



\*Ceiling installation solution needs to be customized.

# Convenient full front maintenance

A27 V3 series provides full front maintenance, which no need for specialized maintenance channels and saves more space.



- Front maintenance of module, PSU, receiving card, HUB board, etc.



- Dedicated front maintenance tool



# Safe and Stable

Standard manufacturing process and a number of quality tests ensure safe operation of CP series.



# Absen service philosophy

Absen has built up a global network , able to provide prompt and professional local services.



## Comprehensive support

Enjoy 2-year warranty, support up to 3-year extended warranty, lifetime maintenance, and enjoy 10+ items of professional service solutions to help you solve problems



## 24/7 response

24/7/365 available,  
quick response in 10 seconds



## Global coverage

400+ Absen certified partners, 3,000+ Absen certified engineers, covering most of the global market, the global service network is continuing to expand vigorously



## One-stop service

Enjoy exclusive and professional service in the whole process of pre-sales, sales and after-sales



## Multiple service channels

Providing service via multiple channels such as Hot line, WeChat, WhatsApp, E-mail and official website to quickly take care of service requirements



## Service channels

Hot line: +86 400-700-3278

WeChat: 13923413428

WhatsApp: 008613923413428

Email: [service@absen.com](mailto:service@absen.com)

Official website: [www.absen.com](http://www.absen.com)



## Service time (GMT+8)

8:30~24:00: Staff service

00:00~8:30: Intelligent system service

## Parameters

Parameters		A2712 V3	A2715 V3	A2719 V3	A2725 V3
Physical parameters	LED type	Black SMD 1010	Black SMD 1010	Black SMD 1515	Black SMD 2121
	Pixel pitch (mm)	1.27	1.58	1.906	2.54
	Panel dimensions (W*H, mm)	610×343×44.5	610×343×44.5	610×343×44.5	610×343×44.5
	Panel resolution	480x270	384x216	320x180	240x135
	Pixel weight (kg)	5	5	5	5
	Module size (W*H, mm)	152.5×343			
Photoelectric parameters	Brightness (nit)	800	800	1000	1000
	Refresh rate (Hz)	3840			
	Grayscale (bit)	16 (Internal processing 16bit, hardware up to 14bit)			
	Contrast ratio	4000:1	4500:1	4500:1	4000:1
	Viewing angle (H/V, °)	160/160			
	AC operating voltage(V)	100~240			
	Power consumption (max./avg.,W/m <sup>2</sup> )	561/187	540/180	420/140	420/140
Application parameters	Storage temperature (°C)	- 40~ + 60			
	Operating temperature (°C)	- 10~ + 40			
	Storage humidity (RH)	10% ~85%			
	Operating humidity (RH)	10% ~80%			
	IP rating	IP40/IP21			
	Certificate	FCC, ETL, CE, RoHS, CCC, EMC CLASS B, TUV			

\*Note: It is normal for the power consumption to fluctuate within ±15% due to the influence of the brightness of different batches of lamps. Please refer to the actual situation.

★ Shenzhen Absen Optoelectronic Co., Ltd. reserves the right to modify product design, specifications, and parameters without further notice.  
Photos are used for illustration purpose only as products may differ from these photos. All rights reserved by Shenzhen Absen Optoelectronic Co., Ltd.