

A60

Player

Specification v1.1



Overview

A60 is a new generation of asynchronous and synchronous LED players that support synchronous display and asynchronous playback.

A60 supports the arbitrary arrangement of programs in multiple windows and the playback of various programs such as videos, pictures, texts, tables, clocks, streaming media, web pages and weather. It is also available for editing and publishing program by PlayerMaster.

A60 supports Wi-Fi hotspots connection and it is designed for program management and parameter settings for mobile phones, pads, computers and other devices. The A60 supports LAN scheduling and it can automatically adjust the brightness with the light sensor (optional) to meet the needs of brightness adjustment in various occasions.

It supports plug-and-play and can also perform program update and management through the wired network. As a brand-new playback control system, A60 has significant advantages in advertising screens, display screens and other fields.

Features

New breakthrough

- Synchronous input or asynchronous playback and settings of synchronous and asynchronous priority.
- Loading capacity of the overall unit is 1.3 million pixels with maximum pixel dimensions of 4096 x 2560. It supports screen zoom display of synchronous input.
- Audio output.
- Installed 32G memory of which 25G is available for users; support playback via USB.
- Fully compatible with program management and display configuration of conventional synchronous control system.

Intelligent control, convenient management

- U-disk plug-and-play.
- Multi-screen synchronous playback (NTP synchronization).
- LAN program scheduling and command scheduling.

- Support the monitoring of operating environment temperature, humidity, brightness and other parameters and automatically adjust the brightness of the display screen (sensors need to be purchased separately).

Program management, easy to operate

- Use PlayerMaster for program editing with comprehensive functions and convenient operation.
- Multi-window and window size and position can be set freely with window overlay.
- Rich media materials, such as pictures, videos, texts, tables, clocks, streaming media, web pages and weather, etc.
- Multi-page playback.

Specifications

Basic Parameters	
Memory	32GB (25GB available)
Loading capacity	The loading capacity of the overall unit is 1.3 million pixels with maximum pixel dimensions of 4096 x 2560.
Supported receiver	All series of Colorlight receivers
Media Format	
Program classification	Support the program window classification, arbitrary overlay and multi-page playback
Video format	HEVC(H.265), H.264, H263, MVC, MPEG-4, MPEG-1/2, GOOGLE VP8, GOOGLE VP9, VC-1, MOTION JPEG
Audio format	AAC-LC, HE-AAC, HE-AAC V2, MP3, Linear PCM.
Image format	Bmp, jpg, png, gif, webp, etc.
Text format	Txt, rtf, word, ppt, excel through software on PC.
Text display	Support single-line text, multi-line text for static and dynamic display.
Multi-window display	Support a single 1080P video window or up to 3 720P video windows, multiple graphics and texts, rolling subtitles, rolling pictures, LOGO, date and time, weather forecast. Provide the function of free screen split and display different content in different areas.
Window overlapping	Arbitrary overlay of windows with transparent, opaque and other effects.
RTC	Real time clock display and management.
Terminal management and automatic control	
Connection	USB cable, LAN or Wi-Fi.

Program update methods	U-disk plug-and-play, management terminal wireless transmission, USB cable directly connect for release.
Manage devices	Smart terminals such as PC, Android, iOS, etc.
Wireless control	Brightness real-time adjustment, synchronous and asynchronous switching, turn on / off LED display, system parameters configuration, program playback control, wireless program transmission.
Automatic brightness adjustment	Automatic adjustment of screen brightness according to fixed time or according to ambient brightness (sensors need to be purchased separately).
LAN scheduling	Support the programs playback mode of inter-cut and rotation, timed brightness adjustment, timed sleep, wake-up, restart, etc.
Management software	PlayerMaster, LED Assistant.

Hardware

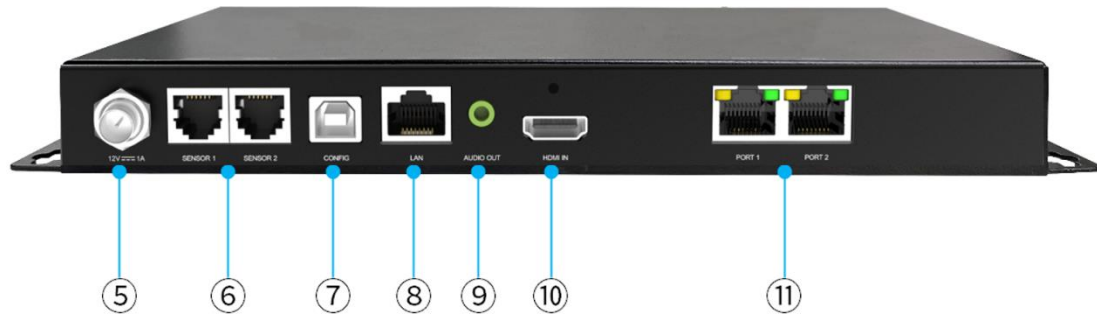
Front panel



No.	Name	Function
1	ASYNC SYNC	Synchronous and asynchronous switch indicator, ASYNC (asynchronous indicator), SYNC (synchronized indicator).
2	INPUT SWITCH	Synchronous and asynchronous switch buttons.
3	USB ¹	USB-A 3.0 interface, support external U disk or USB camera connection.
4	Wi-Fi	External Wi-Fi antenna to provide frequently used Wi-Fi hotspot, or connect to other Wi-Fi routers.

¹ USB 3.0 Output: 5V 1A.

Rear panel



No.	Name	Function
5	12V=1A	DC 12V power input.
6	SENSOR 1/2	RJ11 interface which is used to connect the sensor to automatically adjust the brightness of the display screen; monitor and display parameters such as ambient brightness, smoke, temperature and humidity and air quality (sensors need to be purchased separately).
7	CONFIG	USB-B interface for used to connecting to a PC for configuration and debugging of the LED player.
8	LAN	Fast Ethernet port for accessing to LAN.
9	AUDIO OUT	Support 1/8" (3.5mm) TRS output, output HiFi stereo.
10	HDMI IN	HDMI1.4 input interface with HDMI synchronization signal input.
11	PORT1-2	Network port of gigabit signal output which is connected to the receiver of LED display.

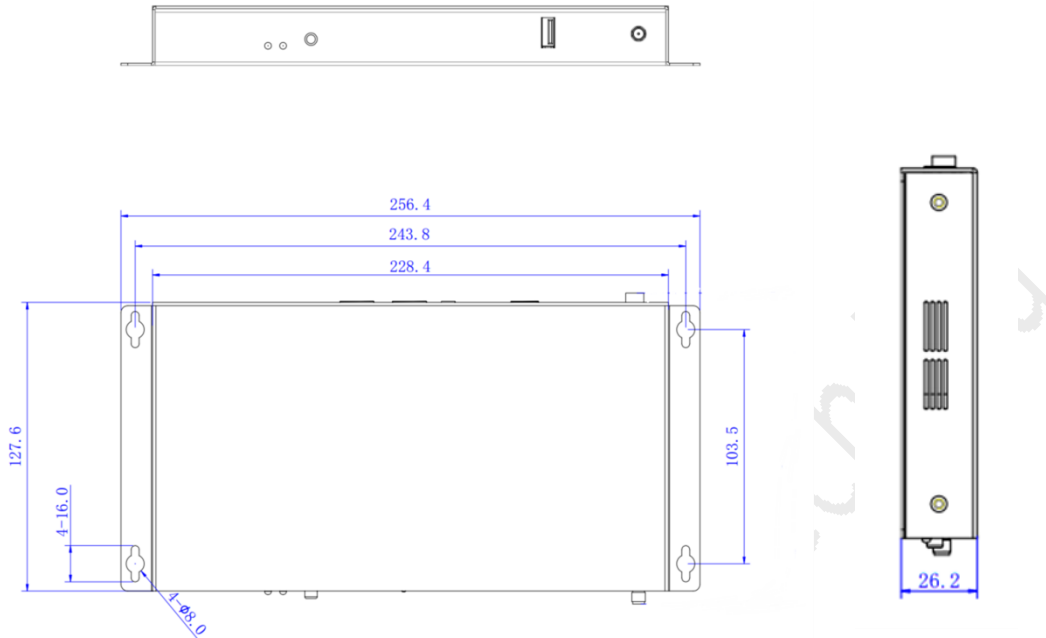
Physical Parameters

Dimensions (W×H×D)	
Unboxed	256.4mm×127.6mm×26.2mm (no antenna)
Net weight	0.88kg
Electrical specification	
Power input	DC12V
Rated power	9W
Operating environment	
Temperature	-30°C~80°C (-22°F~176°F)
Humidity	0-95%, non-condensing

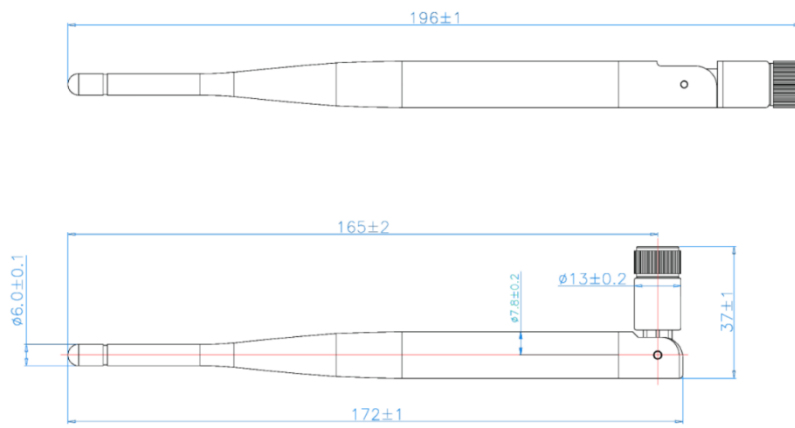
Reference Dimensions

Unit: mm

A60 LED Player



WiFi antenna



* Dimensions and weight may vary depending on different configuration and manufacturing process.

software

Name	Type	Description
PlayerMaster	PC Client	Supports program editing and publishing.
LED Assistant	Mobile Client	Supports Android and iOS systems and realization of wireless control of the playback terminal.

Statement

Copyright © 2023 Colorlight Cloud Tech Ltd. . All rights reserved.

Without the express written permission of Colorlight Cloud Tech Ltd., no unit or individual may copy, copy, transcribe or translate part or all of the contents of this book. Not to be used for any commercial or profit-making purposes in any form or by any means.

 The logo is a registered trademark of Colorlight Cloud Tech Ltd.

Without the written permission of the company or the trademark owner, no unit or individual may in any way or for any reason use, reproduce, modify, disseminate, transcribe or infringe all or any part of the above-mentioned trademark, nor may it be bundled with other products. Use sales.

As factors such as product batches and production processes may change, in order to provide accurate product information, specification parameters, and product characteristics in order to match the actual product, the text description and picture effects in the document will be adjusted and revised appropriately. If it is necessary to carry out the above modification and adjustment without prior notice, please refer to the actual product.

Welcome to choose to use the products of Colorlight Cloud Tech Ltd. If you have any questions or suggestions in use, please contact us through official channels, we will try our best to support and listen to your valuable suggestions. For more information and updates, please visit the official website www.colorlightinside.com or scan the QR code.

Service Phone

4008 770 775

Colorlight Cloud Tech Ltd.

Official Website: www.colorlightinside.com
Head Office Address: Room 37F-39F, Building 8, Zone A,
Shenzhen International Innovation Valley, Vanke Cloud City, Dashi Yilu,
Nanshan District, Shenzhen, China

