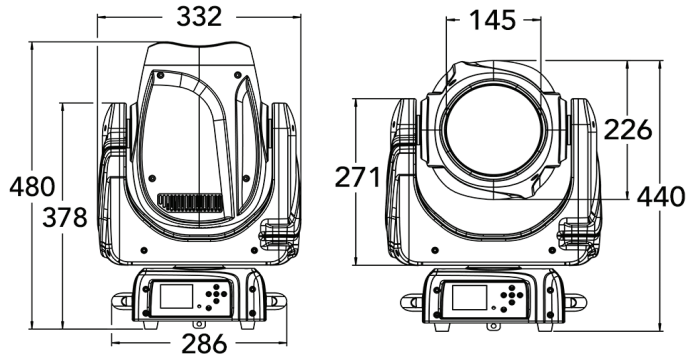


HAVOCB120 [-WH]

BEAM MOVING HEAD

EVENT
LIGHTING

MOVING HEADS



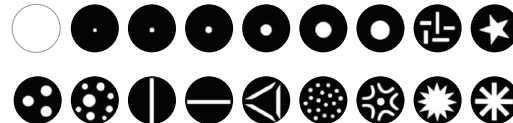
Photometrics	
Light Source	120 W White LED
Beam Angle	1°
Output	12,170 lumen, 150,000 lux @ 5 m
LED Lifespan	60,000 hours
Colour	
Colour Wheel	14 colours + open
Gobo	17 gobos + open
Effects	
Focus	Motorised
Prism	6-linear and 8-facets prisms
Frost	Yes
Movement	
	8/16-bit auto reposition
Pan	630° (4.3s)/540° (3.9s)
Tilt	233° (2.2s)
Power	
Input Voltage	100~240 V AC, 50/60 Hz, 172W
Connection	True1 in/out
Fuse	T 3.15 A, 250 V
Control	
Operation Modes	DMX, auto, sound active, master/slave
Control Protocol	DMX512, RDM, optional Art-Net, optional CRMX
DMX Channels	14 / 16
Control Interface	3-pin XLR in/out, 5-pin XLR in/out
Display	2.4" colour LCD control panel with battery power
Housing	
Housing Materials	ABS and steel, matte black or white finish
Finishing	Matte Black
Cooling	Multi-sensor thermostat controlled variable speed fan
IP Rating	IP20
Net Weight	12.75 kg
Rigging	2x omega brackets with ¼ turn quick locks
Accessories	
Optional	Road Case: HAVOCB120C



Colour wheel



Fixed gobo wheel



Lux	5.0m	7.0m	10.0m
@ 1°	00.15	00.22	00.3
Full	150,000	82,000	40,900

Road Case (Optional)

HAVOCB120CASE4
Road case to suit 4 units of HAVOCB120



HAVOCB120