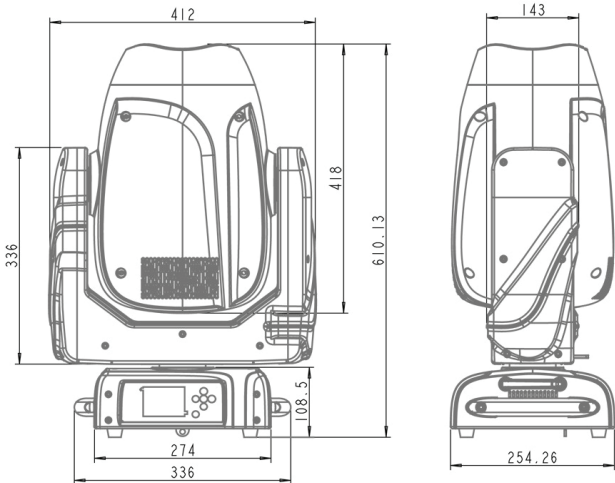


HAVOCH330 [-WH]

HYBRID MOVING HEAD



MOVING HEADS



Photometrics	
Light Source:	330w LED White
Beam Angle:	4°-48°
Output:	8,372 lumen, 89,500 lux @ 5m 236600 lux at 5m at 4°
Led lifespan:	60.000 hours
Colour	
	9 Colours + CMY + Open CMY
Gobos	
Fixed:	11 + Open
Rotating:	8+ Open
Animation:	Yes
Effects	
Dimming:	0~100%
Strobe:	Yes
Focus:	Motorised
Prism:	Rotating 3 facets
Frost:	Yes
Zoom:	Yes (4° to 48°)
Movement	
	16 bit resolution Auto repositioning
Pan:	630° (4.0 sec) or 540°(3.58 sec)
Tilt:	265° (2.8 sec)
Power	
Power consumption:	490W Max.
Input Voltage:	100~240 V AC, 50/60 Hz
Connection:	Neutrik® PowerCON in/out
Control	
Control Protocol:	DMX512, RDM, optional Art-Net, optional CRMX
DMX Channels:	24
Interface:	3-pin/5-pin XLR in/out
RDM:	function to change DMX address
Display:	2.4" colour LCD control panel
Software Upgrade:	Yes via RDM
Housing	
Materials:	ABS & Steel, matte black or white finish
Dimensions:	412x610x254mm
Cooling:	Multi sensor thermostat controlled variable speed fan
IP rating:	IP20
Net Weight:	21.5 kg
Rigging:	2x omega brackets with 1/4-turn quick locks

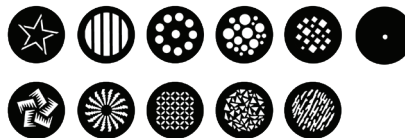
Lux	5.0m	10.0m
@ 4°	Ø0.34	Ø0.87
	89,500	21,900
@ 48°	Ø4.46	Ø8.9
	1,420	378



Colour wheel



Fixed gobo wheel



Rotating gobo wheel



Road Case (Optional)

HAVOCH330CASE2
Road case to suit 2 units
of HAVOCH330

