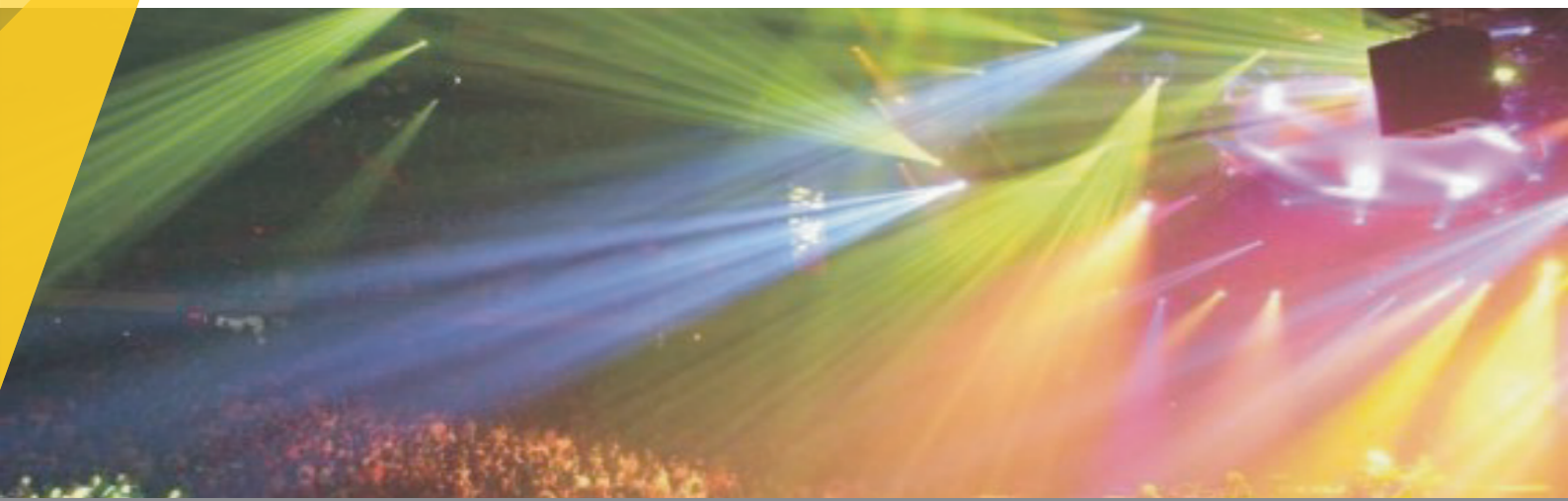


# HAVOCS150

LED SPOT MOVING HEAD



## SPECIFICATION:

### Source

- \_ Light source: Advanced 150w White led
- \_ Led life: 60.000 hours
- \_ Luminous Flux: 5347lumen,27100lux@3m
- \_ Control: Remote on/off via DMX

### Optical System

- \_ Field angle:10.2°-48.4°

### X/Y

- \_ Pan: 540° (2.4 sec) , Tilt: 263° (1.3 sec)
- \_ 16-bit resolution
- \_ Auto repositioning

### Colors

- \_ 8+open, indexable and bidirectional rainbow effect
- \_ Color bounce effect

### Gobos

- \_ Outside  $\varnothing$  19.5mm, inside  $\varnothing$  17mm
- \_ 7+open custom interchangeable position for rotating gobo wheel
- \_ Real indexable and gobo shaking
- \_ 10+ open fixed gobos
- \_ Distinctive gobo animation effect

### Features

- \_ DMX channels: 21/17
- \_ Color wheel: 8+1 colors
- \_ Rotating gobo wheel: 7+1 gobos
- \_ Fixed gobo wheel:10+1 gobos
- \_ Motorized focus
- \_ Full range 0-100% dimmer
- \_ Various strobe
- \_ Rotating Effect wheel with 3 facets prism
- \_ Frost
- \_ RDM function to change DMX address, display flip, X/Y Reverse
- \_ Software upgrade via DMX or USB
- \_ Hibernation when lost DMX for preset time
- \_ Indicate temperature info of base, led
- \_ Fan speed auto change according to temperature

### Display

- \_ 2.4inch LCD display with English/Chinese/French/Spanish menu
- \_ Auto lock and flip
- \_ Signal: DMX/WDMX.Artnet.sACN (optional)
- \_ Back-up communicating IC

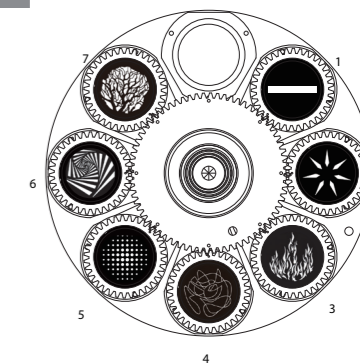
### Power

- \_ Max power consumption: 206W
- \_ Powercon in and out ,3+5pins DMX
- \_ Power supply: Electronic auto-ranging
- \_ Input voltage range: 100-240V, 50-60Hz

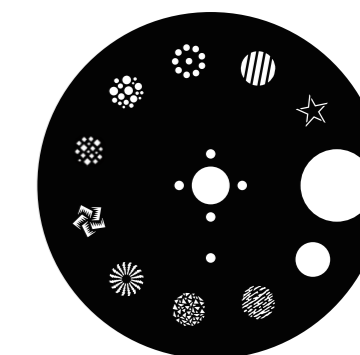
### Color Wheel



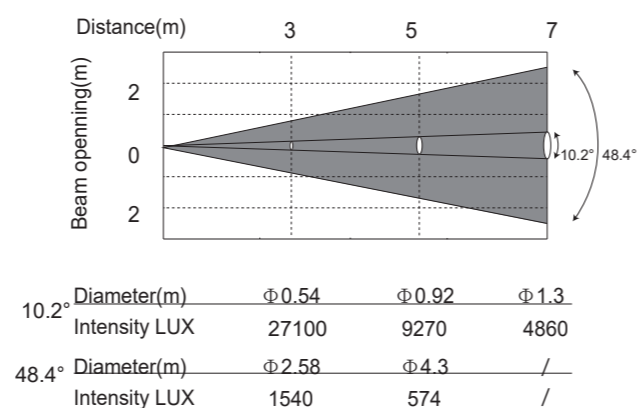
### Rotating Gobo Wheel



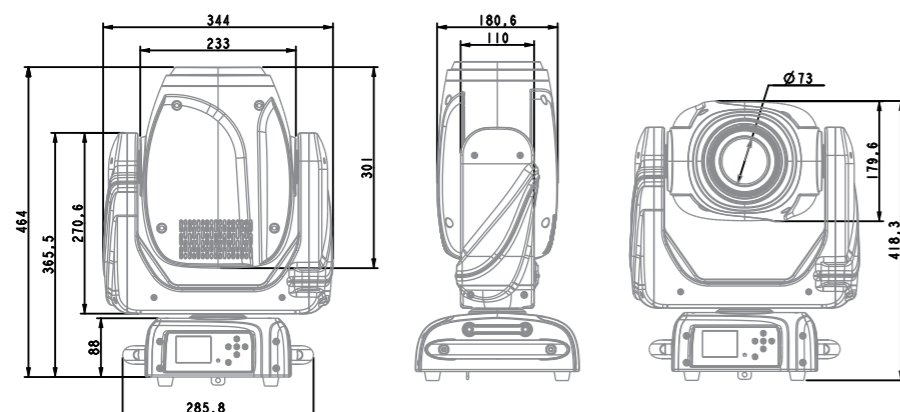
### Stage Gobo Wheel



### Field angle 10%:10.2°-48.4°



### Dimension (mm)



14kgs  
56x40x32cm