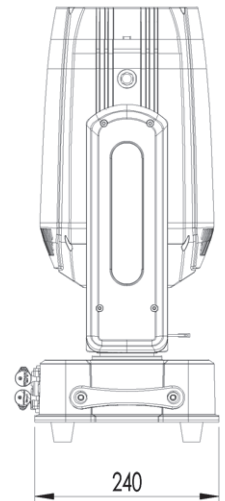
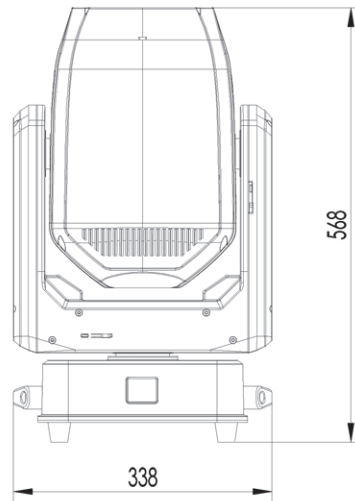
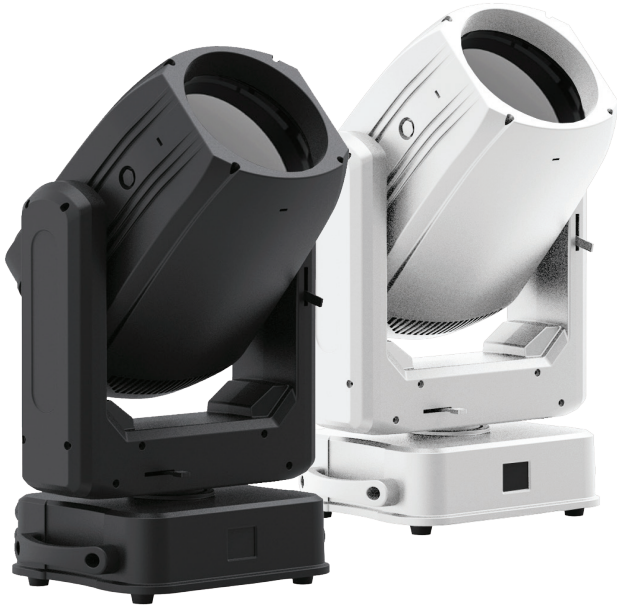


OUTBACK180B / OUTBACK180B-WH

OUTDOOR MOVING HEAD BEAM



Photometrics

Light Source:	180W LED White
Beam Angle:	1.8°
Output:	191,301 lux @ 5m at 3°
Led lifespan:	>20,000 hours

Colour

5 Colour + Open (first wheel)
5 Colour + Open (second wheel)

Gobos

Fixed:	10 + Open
Rotating:	4
Gobo Shaking:	Yes
Gobo Indexing:	Yes

Effects

Dimming:	0~100%
Strobe:	1 - 25 Hz
Focus:	Motorised
Prism:	Prism(1): 24-Facet circular prism Prism(2): 5-Facet linear prism, indexing
Prism Overlap:	Yes
Frost:	Yes

Movement

16 bit resolution
Auto repositioning

Pan:	540°
Tilt:	270°

Power

Power consumption:	260W Max.
Input Voltage:	100~240 V AC, 50/60 Hz
Connection:	True1 in/out

Control

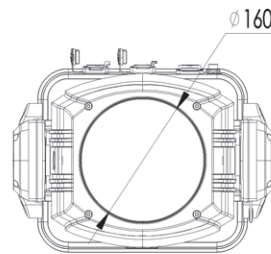
Control Protocol:	DMX512, RDM
DMX Channels:	20 / 23
Interface:	3-pin & 5-pin XLR in/out
Display:	TFT control panel

Housing

Materials:	ABS & Steel, matte black or white finish
Protection:	High temperature automatic protection
IP rating:	IP65
Dimensions:	338 x 240 x 555mm
Net Weight:	16.5 kg

Lux

	5m	10m	15m	20m
@ 1.8°	Ø0.16 191,301	Ø0.32 48,470	Ø0.48 21,363	Ø0.63 11,278



Colour wheel (1)



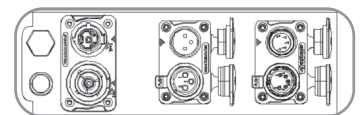
Colour wheel (2)



Fixed gobo wheel



Rotating gobo wheel



Road Case (Optional)

OUTBACK180BCASE2
Road case to suit 2 units
of OUTBACK180B

