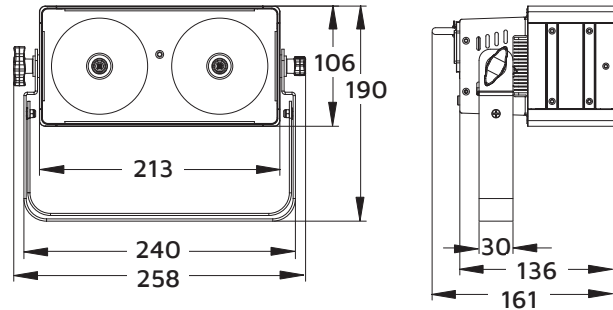
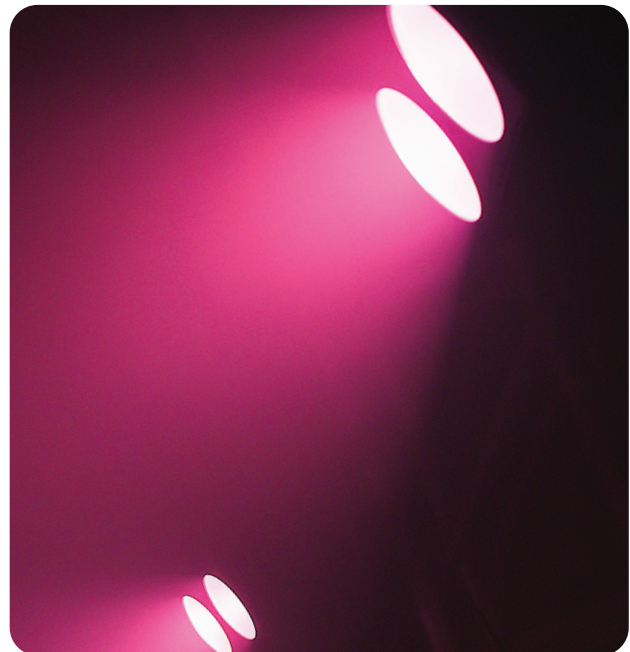


PAN2X1X30 [-W]

2X 30 W COB RGB PIXEL CONTROL PANEL



Photometric	
Light Source	2x 30 W RGBW COB LEDs
Beam Angle	60°
Output	580 lux @ 2 m
PWM	11,700 Hz
LED Lifespan	50,000 hours
Effects	
Dimming	0~100%, 8-bit, 16-bit dimming curves
Strobe	1~30 Hz
Power	
Input Voltage	100~240 V AC, 50/60 Hz
Power Consumption	50 W
Connection	IEC in/out
Control	
Operation Modes	DMX, manual, auto, sound active, master/slave multi fixture chase
Control Protocol	DMX512
DMX Channels	3/5/6/9/11
Control Interface	3-pin XLR (optional: 5-pin XLR)
Display	4-button LCD control panel
Housing	
Housing Materials	Aluminium
Housing Finish	Matte black/white
Cooling	Fanless cooling
IP Rating	IP20
Net Weight	2.5 kg
Accessories	
Optional	Road Case: PAN4X1CASEWC



Lux @ 60°	1.0m	2.0m	3.0m	4.0m	5.0m
	Ø1.15	Ø2.31	Ø3.46	Ø4.62	Ø5.77
R	754	206	95	58	41
G	684	180	84	50	35
B	734	190	89	53	35
Full	2,377	580	261	155	104