



Type(s)  
Project  
Date  
Notes

**GENERAL INFORMATION**

The High End Systems SolaPix family has taken the concept of a pixel wash fixture to the next level, with features like HaloGraphic Pixel Definition and the FleX Effects Engine. The SolaPix Fan 8 delivers all these features in a fanned, 8-pixel automated fixture. Creating a wide variety of looks and effects is effortless with SolaPix Fan 8's full macro- and pixel-control.

The fanned design punches narrow beams into the air and can also do elegant linear washes. SolaPix Fan 8 also flexibly meets any design needs with infinite pan functionality. Each design choice is enhanced by SolaPix Fan 8's bright output and saturated color capabilities.

**Applications**

- Nightclubs and concert venues
- Theatre venues
- Cruise ships and themed entertainment
- Houses of worship
- Production rental companies
- Tradeshow and ballroom AV
- Studio and film

**Product Features**

- Additive LED, RGBW, color mixing system for extremely powerful saturated colors and tunable white control
- Versatile 4.5°–60° single cell zoom
- Fanned LED alignment provides awesome aerial fan look while also improving stage wash capabilities
- Extremely efficient optical system provides market-leading lumen output
- FleX Effects generator for easily customizable macros
- Pixel mapping
- Modular control with Art-Net or sACN in addition to simultaneous DMX control
- Patented HaloGraphic Pixel Definition
- Infinite pan

**ORDERING INFORMATION**

Model	Description
SPF8-MI	SolaPix Fan 8, black, packaged in molded insert
RC-MS	Road Case, Holds up to three (3) SolaPix Fan 8 fixtures

Color Options: Fixtures ship standard in black. White available by request.  
Included Accessories: Fixture includes two (2) 180 mm three-hole Omega brackets, one (1) fixture power cord with bare ends to powerCON® TRUE1® TOP input, and a safety cable.

**Accessories**

Model	Description
2500B7029-A	Fixture Power Cord Upgrade, 6 ft TRUE1 TOP to Parallel Blade U-Ground (Edison)
2560B7005	Fixture Power Cord Upgrade, Stage Pin to powerCON TRUE1 TOP, 20 A
2560B7006	Fixture Power Cord Upgrade, L6-20 to powerCON TRUE1 TOP, 20 A
2560B7007	Fixture Power Cord Upgrade, L5-20 to powerCON TRUE1 TOP, 20 A
67040007	MegaClaw™
55040014	Cheeseborough 2" Alloy 1/2 Coupler Truss Clamp
67040010	Mini-Claw™



**PRODUCT SPECIFICATIONS**

**Source**

LED Quantity	Eight (8)
LED Details	40 W Osram Ostar® LED
Max. Field Lumens	5,800 lumens
Max Integrating Sphere Lumens	6,400 lumens
LPW	20
LED Life	50,000 hours/5-year warranty

**Color**

Color Mixing	Red, Green, Blue, and White
Color Temperature	Variable from 2800–8000 K

**Optical**

Individual Cell Angle Range	4.5°–60°
Full Fixture Wide Field	60° x 102°
Optical Spread	LEDs arranged in a fan array with each LED offset 6°
Flicker Control/Hz Range	2.4 kHz and 16 kHz

**Control**

Input Method	DMX (5-pin) or Ethernet
Protocols	DMX via RS-485 Art-Net or sACN via Ethernet
Modes (Footprint)	Base (26), Base + Flex Module (42), Wash Mode (16), Pixel Module (32)
RDM Functions	Yes
UI Type	Full color graphical UI with 6-button navigational control
Local Control	Yes
Effects Engine	Built in effects engine with multi parameter color and speed control
Pixel Mapping	Individual addressing via DMX, Art-Net, or sACN
Dimming Performance	16-bit, DMX controlled

**Notes:** All LED sources experience some lessening of light output and some color shift over time. LED output will vary with thermal conditions. Thermal conditions can be affected by ambient temperatures and orientation.

**Electrical**

Voltage Range	100–240 V 50–60 Hz
Input Method	powerCON TRUE1 TOP
Wattage (Standard/Max/Standby)	366/413/26 W
Current (Max)	4.2 A @ 100 V
Inrush (First Half Cycle)	120 V: 66.0 A 230 V: 78.0 A
Fixtures per Circuit	4 fixtures (15 A power thru connector) 4 fixtures (R20 module or similar) Note: TRUE1 TOP connector rated for 20 A (120 V/60 Hz) and 16 A (240 V/50 Hz)

**Thermal**

Ambient Operating Temp	-10°C to 40°C (14°F to 104°F)
Fan Mode	Standard, Studio, and Linear Continuous control channel

**Physical**

Pan and Tilt Range	Endless pan 207° tilt
Max Pan/Tilt Speed	360° in 2.13 s/180° in 1.26 s
Materials	Steel and aluminum frame with molded plastic covers
Color Options	Black, white by request
Mounting Options	Any orientation
IP Rating	IP20
Weight	17.3 kg (38 lb)
Included Accessories	powerCON TRUE1 TOP to bare end fixture tail Two (2) 180 mm, three-hole clamp brackets Safety cable

**Warranty**

Fixture Warranty	Five (5) years for light engine Two (2) years for complete fixture
Warranty Details	<a href="http://etconnect.com/Support/Warranty.aspx">etconnect.com/Support/Warranty.aspx</a>

**Regulatory & Compliance**

Approved regulatory standards	cETLus Listed Listed to UL 1573 Certified to CSA STD. C22.2 No: 166 CE Compliant UKCA Compliant KCC Compliant
-------------------------------	--

**Safety**

Safety	Minimum distance to illuminated surface = 1.0 m (3.3 ft) Minimum distance from fixture head to combustible materials = 0.1 m (4.0 in)
--------	--

## PHOTOMETRIC DATA

**SolaPix Fan 8 All Cell -  
All on, Standard Mode**

	Degree	Candela	Field Lumens	Power Usage	Lumens Per Watt
Narrow	4.5°	66,100	4,515	320 W	14
Medium	26°	14,700	6,409	320 W	20
Wide	60°	30,800	6,778	320 W	21

**Narrow - 4.5°**

Throw Distance	10 ft 3.0 m	20 ft 6.1 m	30 ft 9.1 m	50 ft 15.2 m	200 ft 61 m
Field Diameter	0.7 ft 0.21 m	1.3 ft 0.41 m	2.0 ft 0.61 m	3.3 ft 1.02 m	13.3 ft 4.05 m
Illuminance (fc)	661	166	74	27	2
Illuminance (lux)	7,104	1,776	789	284	18

**Medium - 26°**

Throw Distance	10 ft 3.0 m	20 ft 6.1 m	30 ft 9.1 m	50 ft 15.2 m	200 ft 61 m
Field Diameter	4.6 ft 1.41 m	9.2 ft 2.82 m	13.9 ft 4.23 m	23.1 ft 7.04 m	92.3 ft 28.15 m
Illuminance (fc)	147	37	17	6	1
Illuminance (lux)	1,572	393	175	63	4

**Wide - 60°**

Throw Distance	10 ft 3.0 m	20 ft 6.1 m	30 ft 9.1 m	50 ft 15.2 m	200 ft 61 m
Field Diameter	9.3 ft 2.84 m	18.7 ft 5.7 m	28 ft 8.54 m	46.6 ft 14.21 m	186.5 ft 56.85 m
Illuminance (fc)	68	17	8	3	1
Illuminance (lux)	731	183	81	29	2

To determine center beam illumination in footcandles at any throw distance, divide candela by the throw distance squared.

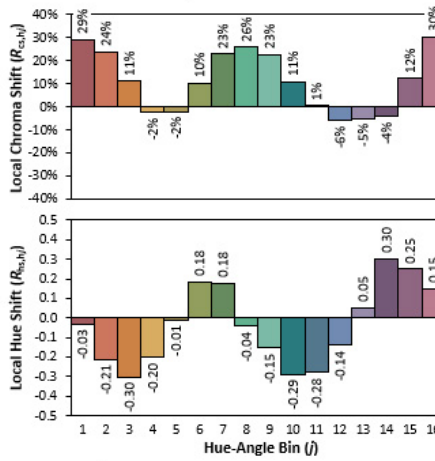
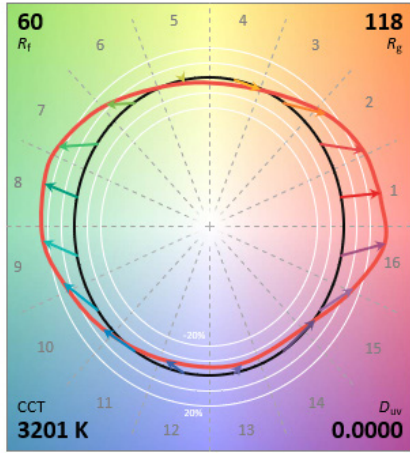
Metric conversions: For meters, multiply feet by 0.3048.

For lux, multiply footcandles by 10.76.

COLOR METRIC DATA

ANSI IES TM-30-18 Color Rendition Report

SolaPix tuned to 3200 K



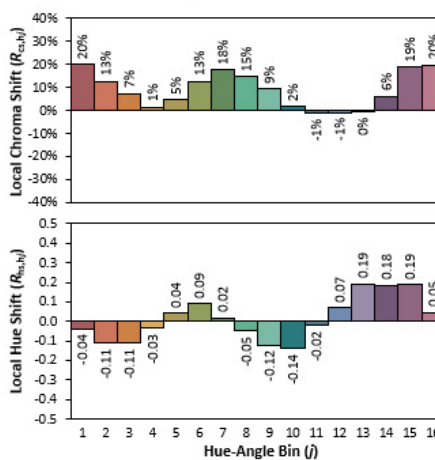
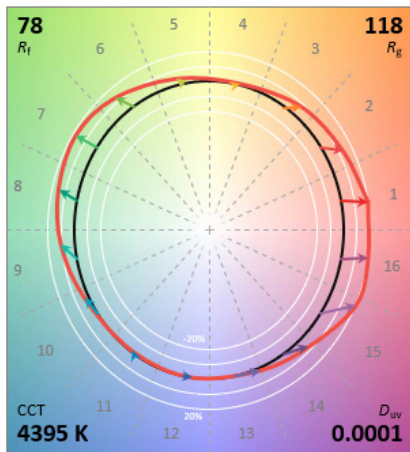
Colors are for visual orientation purposes only. Created with the ANSI/IES TM-30-18 Calculator Version 2.00.

Additional Color Metrics

CRI Ra (R9)	76
TLCI	66

ANSI IES TM-30-18 Color Rendition Report

SolaPix tuned to 4400 K



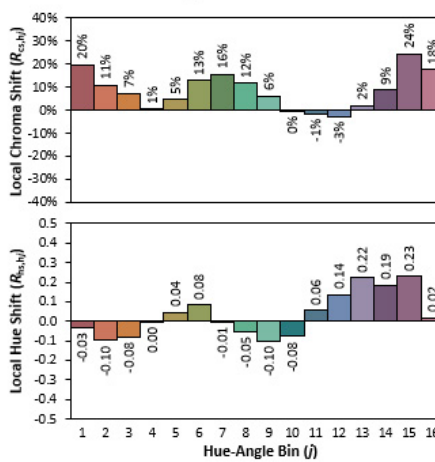
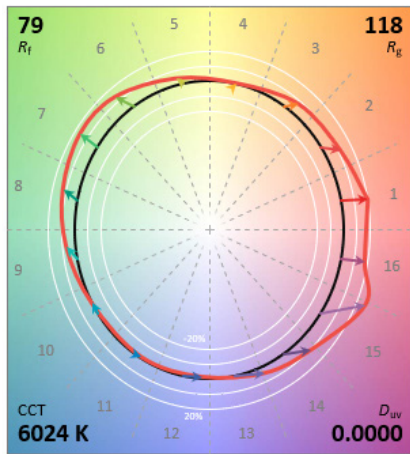
Colors are for visual orientation purposes only. Created with the ANSI/IES TM-30-18 Calculator Version 2.00.

Additional Color Metrics

CRI Ra (R9)	58
TLCI	39

ANSI IES TM-30-18 Color Rendition Report

SolaPix tuned to 6000 K



Colors are for visual orientation purposes only. Created with the ANSI/IES TM-30-18 Calculator Version 2.00.

Additional Color Metrics

CRI Ra (R9)	78
TLCI	74

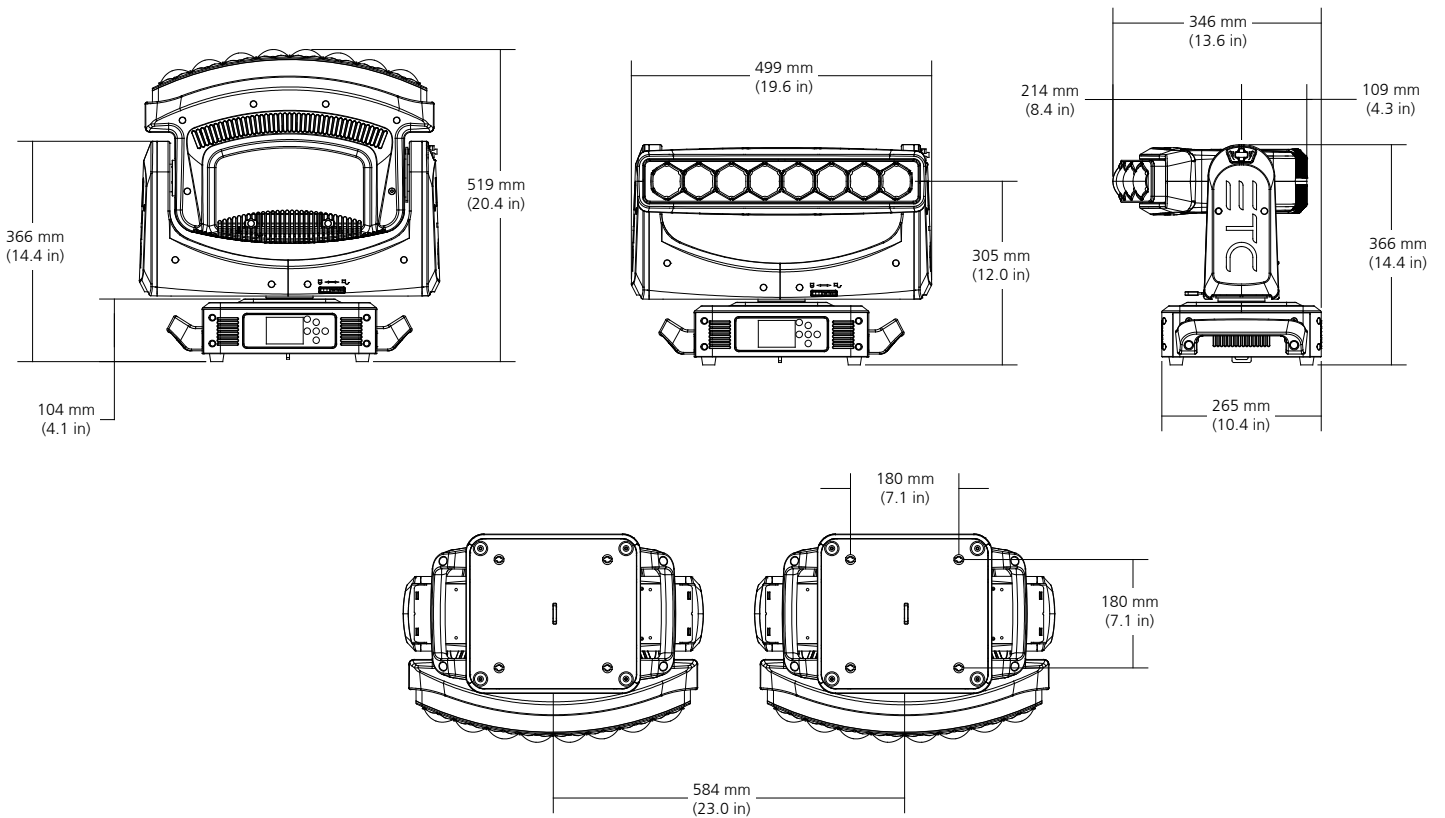
PHYSICAL

Product Dimensions

Model	Height		Width		Depth		Weight	
	in	mm	in	mm	in	mm	lb	kg
SolaPix Fan 8**	20.4	519	19.6	499	13.6	346	38.0	17.3
SolaPix Fan 8 in Box with Molded Insert	27.4	695	21.5	545	15.6	395	62.8	28.5

\*\*Does not include mounting hardware

SolaPix Fan 8



Power Table

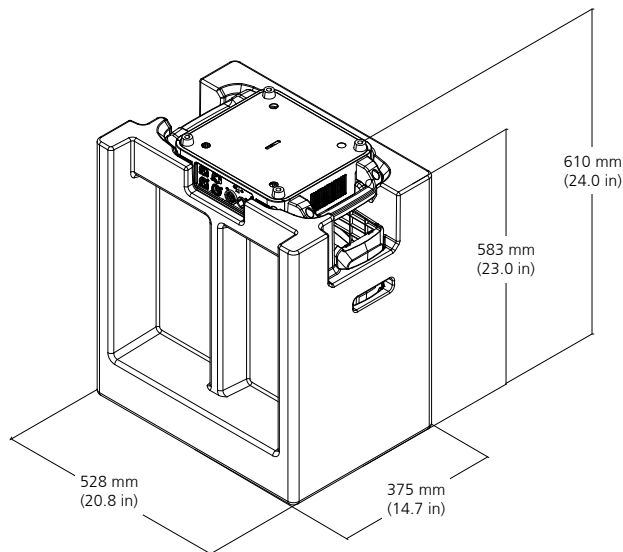
VAC	Amps	Hz	Watts	VA	PF
100	4.2	50	413	416	0.99
120	3.4	60	407	412	0.99
200	2.0	50	398	404	0.98
208	2.0	60	398	404	0.97
220	1.9	50	398	405	0.97
230	1.8	50	394	406	0.97
240	1.7	60	395	412	0.96

ADDITIONAL ORDERING INFORMATION

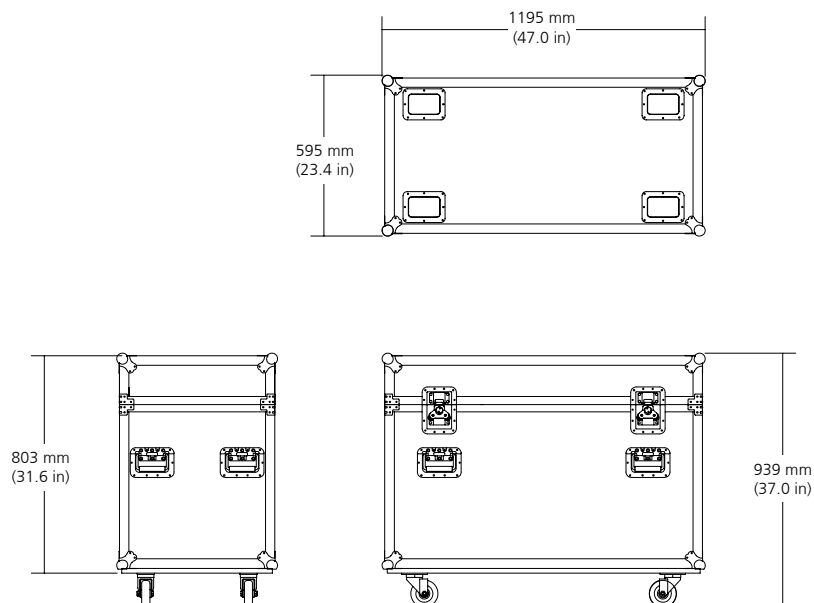
Additional Accessories

Model Number	Description
2599A2000	Omega bracket, 107 mm three-hole
H7180023	Omega bracket, 107 mm single-hole (included)
H7300105	Galvanized safety cable with spring snap

Molded Case Insert Dimensions



Optional Roadcase Dimensions



Corporate Headquarters • Middleton, WI USA  
 Global Offices • London, UK • Rome, IT • Holzkirchen, DE • Paris, FR • Hong Kong  
 Dubai, UAE • Singapore • New York, NY • Orlando, FL • Los Angeles, CA • Austin, TX  
 ©2024 ETC. All Rights Reserved. All product information and specifications subject to change. Rev A 2024-10  
 \*Trademark and patent info: [etconnect.com/IP](http://etconnect.com/IP) • Third-party license agreement info: [etconnect.com/licenses](http://etconnect.com/licenses)

