



Model No. WIP1320

USER MANUAL



For safety, please read this user manual carefully before initial use.

Event Lighting reserves the right to revise the manual at any time. Information and specifications within this manual are subject to change without notice. Event Lighting assumes no liability or responsibility for any errors or omissions. Please consult Event Lighting for any clarification or information regarding this item.

www.event-lighting.com.au

Ver 1.1 (updated 06/12/2022)

CONTENTS

Safety Instructions

Product Installation

Diagrams

Control Board Operation

DMX chart

Technical specifications

Warranty

Safety Instructions

WARNING

- Do not open this device, there is no user-serviceable parts inside. Risk of electric shock.
- Do not look at the light source when the device is on.
- **CAUTION:** This unit's housing may be hot during and after operation.
- Install this device in a location with adequate ventilation, at least 20 inch (50 cm) from adjacent surfaces.
- Do not leave any flammable material within 50 cm of this unit while operating or connected to power.
- Use a safety chain when mounting this device overhead.
- Do not operate this device outdoors or in any location where dust, excessive heat, water, or humidity may affect it.
- Do not operate this device if the housing, lenses, or cables appear damaged.
- Do not connect this device to a dimmer or rheostat.
- **ONLY** connect this device to a grounded and protected circuit.
- **ONLY** use the hanging bracket to carry this device.
- In case of a serious operating problem, stop using immediately.
- The maximum ambient temperature is 104° F (40° C). Do not operate this device at higher temperatures.

IMPORTANT: Only use the provided Outdoor DMX cable in the device's DMX out port. Use of other cables will cause the cable to become stuck in the port, requiring the unit to be repaired.

Power Input & Power Linking

This device has an auto-switching power supply work with input voltage range of 100~240 VAC, 50/60 Hz.

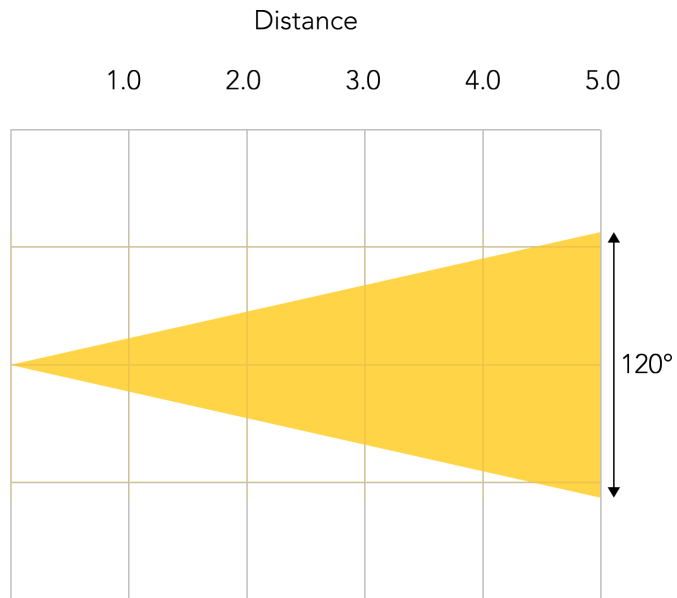
Link up to the maximum 15A. DO NOT exceed this number.

Product Installation

This device can be mounted in many orientations provided each individual device is secured by the use of correct mounting bracket.

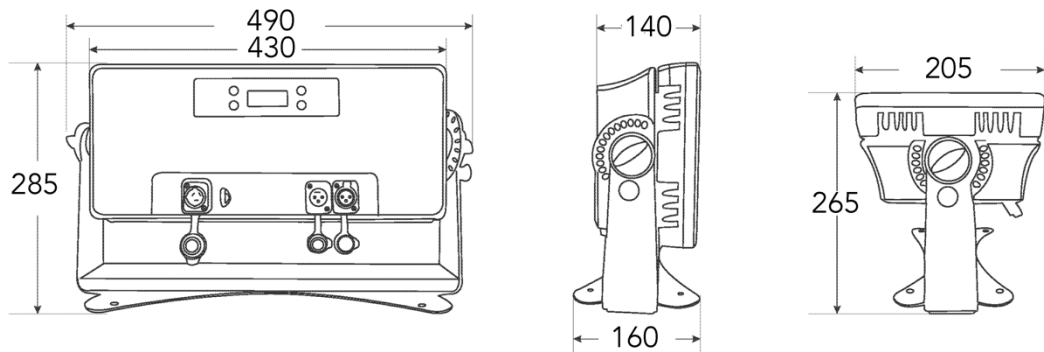
Use a safety chain when mounting this device overhead.

Lux Chart



LUX @ 120°	Ø 3.46	Ø 6.93	Ø 10.39	Ø 13.86	Ø 17.32
R	2,100	585	250	160	120
G	4,050	1,000	500	320	230
B	5,300	1,400	700	430	310
W	6,000	1,500	750	470	340
Full	14,500	4,400	2,200	1,400	1,000

Dimensions



Menu Map

Display	Options / Values		Function
Address	<001> to <512>		Select DMX address
Channel	4, 5, 7, 13, 15, 31		Select DMX channel modes
DMX Monitor	Channel 4 Mode	CH:01 to CH:04	Select DMX channel mode first, set up each channel values to manual control according to DMX chart.
	Channel 5 Mode	CH:01 to CH:05	
	Channel 7 Mode	CH:01 to CH:07	
	Channel 13 Mode	CH:01 to CH:13	
	Channel 15 Mode	CH:01 to CH:15	
	Channel 31 Mode	CH:01 to CH:31	
Auto	Auto00	Speed <000> to <255>	Select auto program and adjust auto run speed
	Auto01		
	Auto02		
		
	Auto36		
Effect on Auto	Dimmer	<000> to <255>	Adjust dimmer level and switch on strobe at different speed for auto run
	Strobe	<000> to <255>	
MAS mode	Yes	<Master> or <Slave>	Select master or slave mode
	No		Switch off Master/Slave selection function
Back L	on		Display background light always stays on
	60s		Display background light turns off after 60s
	120s		Display background light turns off after 120s
	300s		Display background light turns off after 300s
Temp	Temp1	XX°	Display current temperature on LED panel
	Temp2	XX°	Display current temperature on chassis
Info	Test 1		Test mode without strobe
	Test 2		Test mode with strobe
	Reset	Yes or No	Recover to factory default
	Version		Display current version
Dimmer curve	<Curve 0> - <Curve 3>		Select dimming curve
Dimmer control	<Speed 0> - <Speed 7>		Select fade time

DMX Address

After select the "Address" and press "Enter", use "Up" and "Down" button to select the desired DMX address, press "Entre" to save new setting.

DMX Modes

After select the "Channel" and press "Enter", use "Up" and "Down" button to select the desired DMX channel mode, press "Entre" to save new setting.

DMX Monitor Mode

It is manual control mode according to DMX chart without DMX controller.

Set up DMX channel from control panel. When fixture is in 4 DMX channel mode, you will only able to set up from Ch1 to Ch4. When fixture is in 31 DMX channel mode, you will only able to set up from Ch1 to Ch31.

Use "Up" and "Down" button to set up each channel value from <000> to <255>, press "Enter" to save new setting.

Auto Mode

This fixture has 37 built-in programs. Enter "Auto" mode, use "Up" and "Down" button to select the built-in programs from <Auto 00> to < Auto 36>, then press the "Enter" to confirm. Use "Up" and "Down" button to select the operating speed of the program from <000> to <255>, press "Enter" to save new setting. You have to use "Effect on Auto" mode to adjust the brightness, also add strobe effect and adjust strobe speed to auto run.

Effect on Auto

Use "Effect on Auto" to switch on dimmer and strobe function to auto mode. Enter "Effect on Auto" mode, use "Up" and "Down" button to select dimmer level from <000> to <255>, and then press the "Enter" to confirm. Use "Up" and "Down" button to select strobe speed from <000> to <255>, press "Enter" to save new setting.

Master/Slave Mode

Set the master fixture to auto or manual modes.

Enter "Master" mode, use "Up" and "Down" button to select "Yes", and then select <slave>, press "Enter" to set fixture to slave mode.

Use DMX cable to link master and slave fixture together.

DMX Data

When there is a <*> flashing, the fixture is not receiving any DMX signal. A solid <*> indicates DMX signal is being received. DMX takes priority over all other functions when a signal is being received.

Once DMX signal is lost, the fixture will revert back to the original setting, which also could be DMX or Manual or Automatic mode.

DMX Chart

Mode/Channel					Min DMX	Max DMX	Function
7 Ch	8 Ch	13 Ch	15 Ch	31 Ch			
1	1	1	1	1	0	255	Dimmer, 0-100%
				2	0	255	Red Section 1, 0-100%
				3	0	255	Green Section 1, 0-100%
				4	0	255	Blue Section 1, 0-100%
				5	0	255	White Section 1, 0-100%
				6	0	255	Red Section 2, 0-100%
				7	0	255	Green Section 2, 0-100%
				8	0	255	Blue Section 2, 0-100%
				9	0	255	White Section 2, 0-100%
				10	0	255	Red Section 3, 0-100%
				11	0	255	Green Section 3, 0-100%
				12	0	255	Blue Section 3, 0-100%
				13	0	255	White Section 3, 0-100%
				14	0	255	Red Section 4, 0-100%
				15	0	255	Green Section 4, 0-100%
				16	0	255	Blue Section 4, 0-100%
				17	0	255	White Section 4, 0-100%
				18	0	255	Red Section 5, 0-100%
				19	0	255	Green Section 1, 0-100%
				20	0	255	Blue Section 5, 0-100%
				21	0	255	White Section 5, 0-100%
				22	0	255	Red Section 6, 0-100%
				23	0	255	Green Section 6, 0-100%
				24	0	255	Blue Section 6, 0-100%
				25	0	255	White Section 6, 0-100%
	2	2	2		0	255	Red, 0-100%
	3	3	3		0	255	Green, 0-100%
	4	4	4		0	255	Blue, 0-100%
	5	5	5		0	255	White, 0-100%
2	6		6	26	0	255	Strobe Intensity
3		6	7	27	0	255	Strobe Speed
4			8	28	0	255	Random Strobe
5	7	7	9		0	255	Special Effects
6	8	8	10		0	255	Speed of Special Effects
7		9	11		0	255	Colour Presets
		10	12		0	255	Red Background
		11	13		0	255	Green Background
		12	14		0	255	Blue Background
		13	15		0	255	White Background

TECHNICAL SPECIFICATIONS

Power

- Input Voltages: 100V~240V AC,50/60Hz
- Power Consumption: 1150W
- Power Connection: Seetronic® Outdoor Powerkon Input Connection

Photometrics

- Light Source: 1320 pcs 0.8W SMD5050 RGBW LEDs
- Beam Angle: 120°
- Output: 2,200 lux @3.0 M RGBW full on
- PWM: 2,000 Hz
- LED Life: 50,000 hours

Effects

- Dimming: 0 - 100%
- Strobe: 0.5 - 25 Hz

Control

- Operational Modes: Manual, Auto Program, Master / Slave & DMX Modes
- Section Control: Yes
- Display: 4-button LCD Display Control Panel
- DMX Protocol: DMX512
- DMX Channel Mode: 4 / 5 / 7 / 13 / 15 / 31
- DMX Interface: Seetronic® 3 Pin Outdoor in / out DMX Interfaces

Housing

- Housing Materials: Die-cast Aluminium Housing
- Housing finish: Matte Black
- IP Rate: IP65
- Cooling: Sensor Thermostat Controlled Fan
- Dimension: 490 x 285 x 205 mm
- Net Weight: 8.7 kg
- Rigging: 2pcs Omega Brackets with 1/4-turn Quick Locks

WARRANTY

Please refer to your local dealer or please contact Event Lighting Pty Ltd

Website: www.event-lighting.com.au