



ZOOMPAR4X25

4 x 25W RGBW Zoom Par

USER MANUAL



For your safety, please read this user manual carefully before use.

Event Lighting reserves the right to revise the manual at any time. Information and specifications within this manual are subject to change without notice. Event Lighting assumes no liability or responsibility for any errors or omissions. Please consult Event Lighting for any clarification or information regarding this item.

Version 1.0 (16.09.2024)

1. Introduction

Thank you for purchasing our product. Before carrying out any operations with the product, carefully read this instruction manual and keep it with care for future reference. It contains important information about the installation, usage and maintenance of the unit. Please strictly follow it.

The product conforms to the international standard DMX512 agreement. The products can be controlled in signal use and also can be controlled in many units. Sleek and stylish, precise and accurate optical system design, bring and clear light effects. All above makes our products applicable to be used within the scope of film and television, theater, live events, trade show exhibits, educational facilities, retail environments, and corporate shows, etc.

* The product belongs to our company. The intellectual property is exclusively reserved. We will file a lawsuit on condition that it is illegally copied and imitated.

2. Safety instructions and WARNING

Do not open this device, there is no user-serviceable parts inside. Risk of electric shock.

Do not look at the light source when the device is on.

This unit's housing may be hot during and after operation.

Install this device in a location with adequate ventilation, at least 20 inch (50 cm) from adjacent surfaces.

Do not leave any flammable material within 50 cm of this unit while operating or connected to power.

Use a safety chain when mounting this device overhead.

Do not operate this device outdoors or in any location where dust, excessive heat, water, or humidity may affect it.

Do not operate this device if the housing, lenses, or cables appear damaged.

Do not connect this device to a dimmer or rheostat.

ONLY connect this device to a grounded and protected circuit.

ONLY use the hanging bracket to carry this device.

In case of a serious operating problem, stop using immediately.

The maximum ambient temperature is 104° F (40° C). Do not operate this device at higher temperatures.

3. Product features

Made by die-cast aluminum and fire-prevention material

Good performance of cooling system with the quiet fan

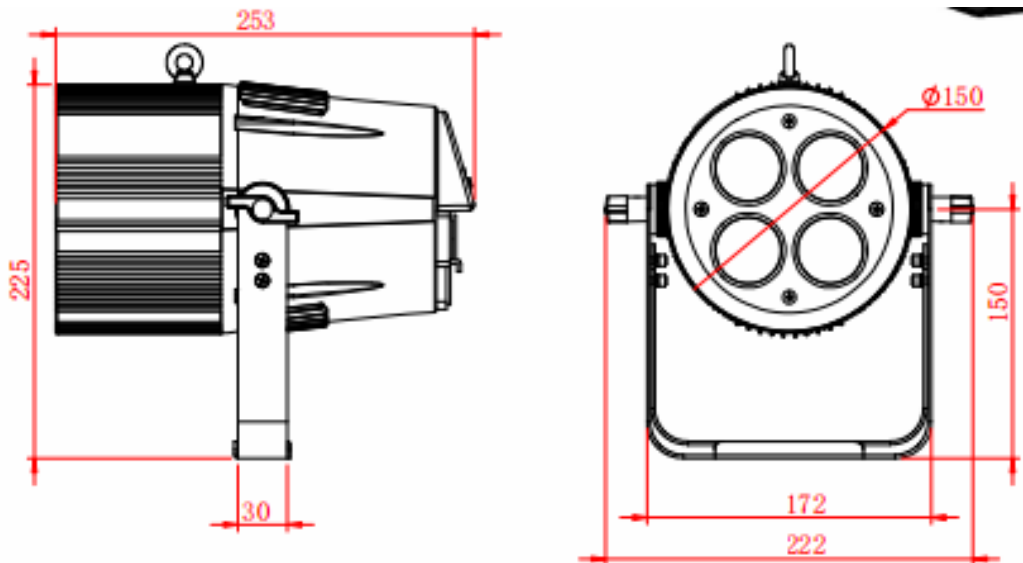
DMX controlled operation, possible work with any commercial DMX512 controller

Different dimmer curves and dimmer speed adjustable

Flicker free projection

Ready for connection with power cord with safety-plug

4. Overview



5. Operation menu

Menu				
1st Menu	2nd Menu	3rd Menu	Value	Note
DMX	Addr:	1-512		DMX512 address
	Channel mode	4-CH		4 channels mode
		7-CH		6 channels mode
		11-CH		11 channels mode
		15-CH		15 channels mode
STATIC	CCT	CCT	2200 -10000K	2200K - 10000K
		Dimmer	000 - 255	Master Dimmer
		Strobe	000 - 255	Strobe
		Zoom	000 - 255	Zoom
	Colour	Colour		Red, Green, Blue, White...
		Dimmer	000 - 255	Master Dimmer
		Strobe	000 - 255	Strobe
		Zoom	000 - 255	Zoom
	Manual	R.	000 - 255	Red dimmer
		G.	000 - 255	Green dimmer
		B.	000 - 255	Blue dimmer

		W.	000 - 255	White dimmer
		Dimmer	000 - 255	Master Dimmer
		Strobe	000 - 255	Strobe
		Zoom	000 - 255	Zoom
AUTO	AUTO1			
	AUTO2			
	AUTO3			
	AUTO4			
	AUTO5			
	AUTO6			
	AUTO7			
	AUTO8			
	AUTO9			
	AUTO10			
PERSONAL	Curve	Linear		
		Square		
		Inv Square		
		S		
	Speed	Off		
		Low		

		Medium		
		High		
	Frequency	1000Hz		
		1200Hz		
		1500Hz		
		2000Hz		
		4000Hz		
		8000Hz		
		FAN MODE	FULL	
	AUTO			
	SILENT			
	DMX Fail	Blackout		Goes off when DMX signal is
		Hold		Maintain final state when DMX signal is lost
INFO	Version			Version
	RDM UID			RDM unique ID
	USAGE TIME			
	Temp			Temperature
RESET	YES/NO			Reset

Use 'Up' and 'Down' button to select your desired operation, press 'Enter' to set all function

6. DMX512 Channel table

Modes							Value	Function
4-CH	5-CH	8-CH	9-CH	11-CH	15-CH	9H-CH		
1	1	1	1	1	1	1	000 - 255	Master Dimmer
				2	2	2	000 - 255	Master Dimmer fine
		2	2	3	3		000 - 255	Red
					4		000 - 255	Red fine
		3	3	4	5		000 - 255	Green
					6		000 - 255	Green fine
		4	4	5	7		000 - 255	Blue
					8		000 - 255	Blue fine
		5	5	6	9		000 - 255	White
					10		000 - 255	White fine
						3	000 - 255	Hue
						4	000 - 255	Staturation
	2	6	6	7	11	5	003 - 255	CCT 2200K - 10000K
	3	7	7	8	12	6	000 - 255	Zoom

3	4	8	8	9	13	7	000 - 255	Strobe slow to fast
4	5		9	10	14	8	000 - 030	Fade off
							031 - 060	Low
							061 - 090	Medium
							091 - 255	High
				11	15	9	000 - 005	No Function
							006 - 030	Auto 1
							031 - 055	Auto 2
							056 - 080	Auto 3
							081 - 105	Auto 4
							106 - 130	Auto 5
							131 - 155	Auto 6
							156 - 180	Auto 7
							181 - 205	Auto 8
							206 - 230	Auto 9
231 - 255	Auto 10							

7. Fuse Replacement

If the fine-wire fuse of the device fuses, only replace the fuse by a fuse of same type and rating. Before replacing the fuse, unplug mains lead.

Procedure:

Step 1: Unscrew the fuse holder on the rear panel with a fitting screwdriver from the housing (anticlockwise).

Step 2: Remove the old fuse from the fuse holder.

Step 3: Install the new fuse in the fuse holder.

Step 4: Replace the fuse holder in the housing and fix it.

8. Technical specifications

Product name:	motor zoom LED par light
Voltage:	100 - 240V AC
Frequency:	50/60Hz
Light Source:	RGBW
Beam angle:	10-50°
Color temperature:	2200K-10000K
CRI:	Up to 90
Dimming Range:	16bit smooth dimming 0-100%
DMX Channel:	4-CH/7-CH/11-CH/15-CH Optional
Control system:	DMX512 signal
Display Screen:	4-Button OLED Screen
IP Rating:	IP23
Ambient Temp.:	-15℃~35℃
Product size:	253mm×222mm×230mm
Weight:	4kgs

Warranty

Please refer to your local dealer or contact Event Lighting.

www.event-lighting.com.au