

3 in 1 LED MINI LIGHT

USER MANUAL



For safety, please read this user manual carefully before initially start-up

CONTENTS

1. Introduction	1
2. Safety instructions.....	1
3. Description	2
Product features	2
Overview.....	3
Packing.....	4
Install lens barrel with engine.....	4
Insert GOBO Holder for Profile	4
4. Installation	5
Overhead rigging	5
DMX512 connection	6
Power input	6
5. Operation	6
Control board.....	7
DMX Modes	9
6. Fuse Replacement.....	10
Procedure	10
7. Zoom	10
8. Changing lens barrel.....	11

1. Introduction

Thank you for purchasing our product. Before carrying out any operations with the product, carefully read this instruction manual and keep it with care for future reference. It contains important information about the installation, usage and maintenance of the unit. Please strictly follow it.

The product conforms to the international standard DMX512 agreement. The products can be controlled in signal use and also can be controlled in many units. Sleek and stylish, precise and accurate optical system design, bring and clear light effects. All above makes our products applicable to be used within the scope of film and television, theater, live events, trade show exhibits, educational facilities, retail environments, and corporate shows, etc.

* The product is compliance with the CE & ROHS Standard.

* The product belongs to our company. The intellectual property is exclusively reserved. We will file a lawsuit on condition that it is illegally copied and imitated.

2. Safety instructions

WARNING

- Do not look at the light source when the device is on.

- **CAUTION:** This unit's housing may be hot during and after operation.
- Install this device in a location with adequate ventilation, at least 20 inch (50 cm) from adjacent surfaces.
- Do not leave any flammable material within 50 cm of this unit while operating or connected to power.
- Use a safety chain when mounting this device overhead.
- Do not operate this device outdoors or in any location where dust, excessive heat, water, or humidity may affect it.
- Do not operate this device if the housing, lenses, or cables appear damaged.
- Do not connect this device to a dimmer or rheostat.
- ONLY connect this device to a grounded and protected circuit.
- ONLY use the hanging bracket to carry this device.
- In case of a serious operating problem, stop using immediately.
- The maximum ambient temperature is 104° F (40° C). Do not operate this device at higher temperatures.

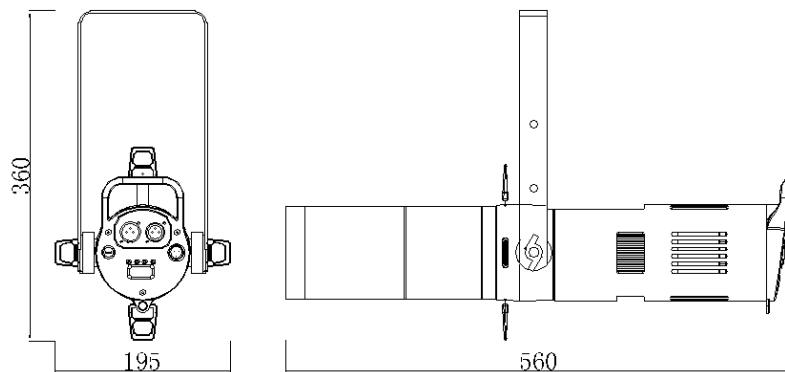
3. Description

Product features

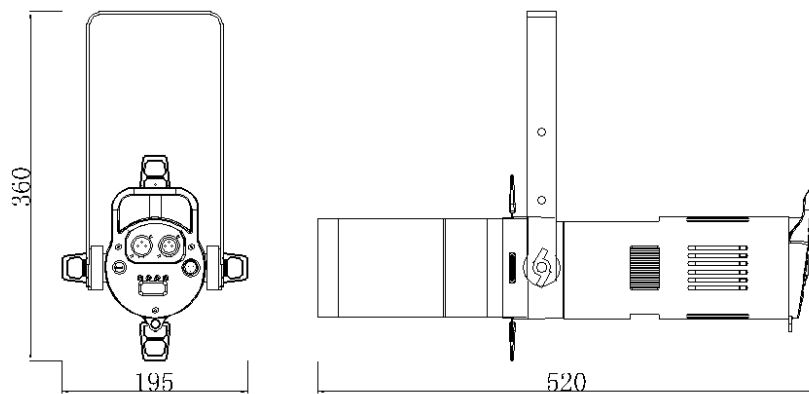
- Very light weight
- Good performance of cooling system with the quiet fan
- DMX controlled operation, possible work with any commercial DMX512 controller
- Variable dimming curve modes
- Flicker free projection

Overview

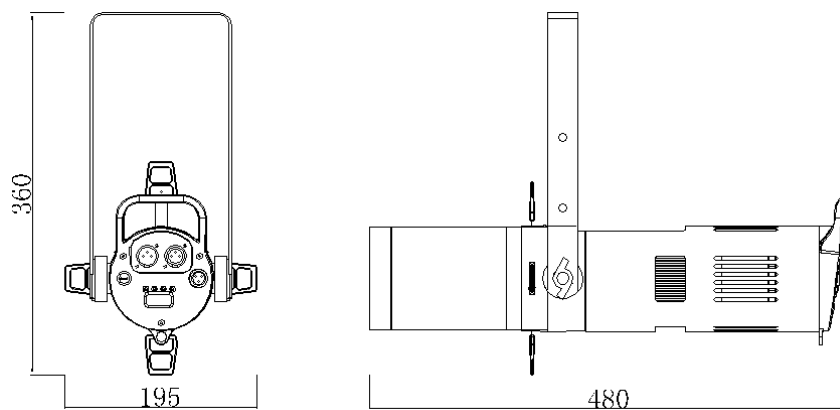
LED Profile light 18° -28°



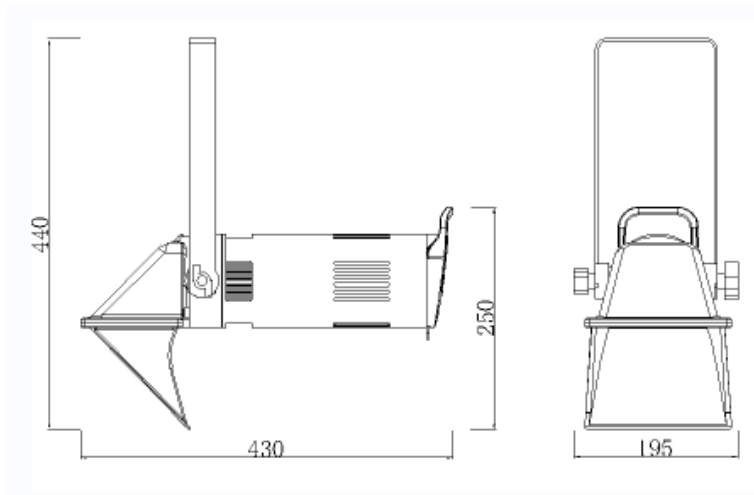
LED Profile light 26° -36°



LED fresnel light



LED Cyclorama

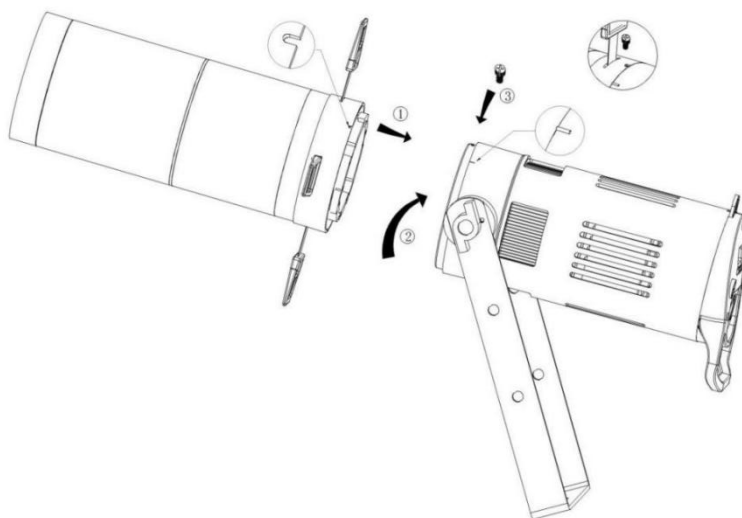


Packing

The led engine and lens barrel will be packed separately.

Install lens barrel with engine

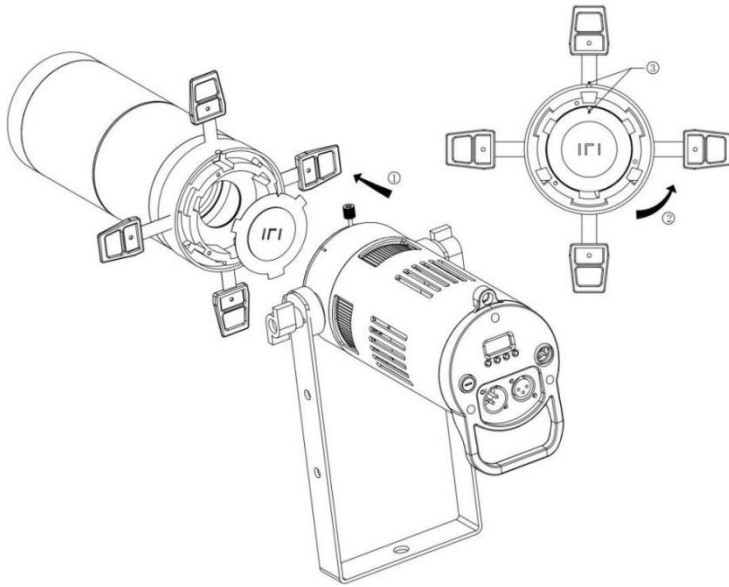
- ① Take lens barrel and engine out from box, align the engine and lense barrel to marked spot
- ② Click to lock
- ③ Insert the buckle on the top to fix the fixture



Insert GOBO Holder for Profile

- ① Take off the Profile lens barrel, align the GOBO holder with the lens barrel slot

- ② Insert the GOBO holder into the slot, turn anti-clockwise to fix
- ③ Align the V shape of GOBO holder with the lens barrel marked spot;



4. Installation

This device can be mounted in many orientations provided each individual device is secured by the use of correct mounting bracket.

Overhead rigging

The installation of the device has to be built and constructed in a way that it can hold 10 times the weight for 1hour without any harming deformation.

The installation must always be secured with a secondary safety attachment. This secondary safety attachment must be constructed in a way that no part of the installation can fall down if the main attachment fails.

The operator has to make sure that safety-relating and machine-technical installations are approved by an expert and before taking into operation for the first time and after changes .

Please note: for overhead rigging in public or industrial areas, a series of safety instructions have to be followed that this manual can only give in part.

DMX512 connection

Please use XLR-XLR signal cable connect the DMX output of the controller with the DMX input of the first device, and connect the DMX output of the first device with the DMX input of the second device, always connect one output with the input of the next device until all devices are connected.

For better signal receiveal, a signal amplifier suggest to be used for each 20 fixtures.

Power input



This device has an auto-switching power supply work with input voltage range of 100-240V AC, 50/60Hz.

5. Operation

Control board

Menu for single color version:

Press the Menu until one of the following had been displayed:

MENU					
1ST MENU	2ND MENU	3RD MENU	VALUE	NOTE	
DMX	ADDRESS	addr:	1-512	DMX512 address	
	CONTROL MODE	1-CH		1 channels	
		2-CH		2 channels	
		3-CH		3 channels	
		4-CH		4 channels	
STATIC	DIMMER	DIMMER	0 - 255	Dimmer	
	DIMMER FINE	DIMMER FINE	0 - 255	Dimmer fine	
	STROBE	STROBE	0 - 255	Strobe	
PERSONALITY	CURVE	LINEAR			
		SQUARE LAW			
		INV SQUARE LAW			
		S-CURVE			
	SPEED	OFF			Fade off
		LOW			Low
		MEDIUM			Medium
		HIGH			High
	FREQUENCY	1000Hz			
		1200Hz			
		1500Hz			
		2000Hz			
		4000Hz			
		8000Hz			
	FAN MODE	FULL			Fans max
		AUTO			Fan control by temperature
		SILENT			
	DMX HOLD	Hold			DMX keep the setted value after restart
		Blackout			DMX recover to 0 when restart
	INFO	VERSION		V102.0	version
RDM UID			xxxxxxxxxxx	RDM Uniquer Id	
USAGE TIME		POWER ON		xxxxxH	Light fixture usage time
		LED TOTAL		xxxxxH	LED usage time
TEMPERATURE		CELSIUS			

		FAHRENHEIT		
RESET	YES/NO			Reset

Menu for RGBAL version:

MENU					
1ST MENU	2ND MENU	3RD MENU	VALUE	NOTE	
DMX	ADDRESS	addr:	1-512	DMX512 address	
	CONTROL MODE	6-CH		6 channels	
		9-CH		9 channels	
STATIC	RED	RED	0 - 255	Red dimmer	
	GREEN	GREEN	0 - 255	Green dimmer	
	BLUE	BLUE	0 - 255	Blue dimmer	
	AMBER	AMBER	0 - 255	Amber dimmer	
	LIME	LIME	0 - 255	Lime dimmer	
	STROBE	STROBE	0 - 255	Strobe	
PERSONALITY	CURVE	LINEAR			
		SQUARE LAW			
		INV SQUARE LAW			
		S-CURVE			
	SPEED	OFF			Fade off
		LOW			Low
		MEDIUM			Medium
		HIGH			High
	FREQUENCY	1000Hz			
		1200Hz			
		1500Hz			
		2000Hz			
		4000Hz			
		8000Hz			
	FAN MODE	FULL			Fans max
		AUTO			Fan control by temperature
		SILENT			
	DMX HOLD	Hold			DMX keep the setted value after restart
		Blackout			DMX recover to 0 when restart
	INFO	VERSION		V102.0	version
RDM UID			xxxxxxxxxxxx	RDM Uniquer Id	
USAGE TIME		POWER ON		xxxxxH	
		LED TOTAL		xxxxxH	
TEMPERATURE		CELSIUS			

		FAHRENHEIT		Temperature
RESET	YES/NO			Reset

Use 'Up' and 'Down' button to select your desired operation, press 'Enter' to set all function

Notes:

- When there's a flickering '!' sign appeared, means no signal input for the fixture.
- No operation within 30seconds, LCD display will enter into Screen protection mode automatic.

DMX Modes

DMX512 Channel table for single color version:

MODES				VALUE	FUNCTION
1-CH	2-CH	3-CH	4-CH		
1	1	1	1	000 - 255	Dimmer
	2	2	2	000 - 255	Dimmer fine
		3	3		Strobe
				000 - 005	No function
				006 - 255	Strobe slow to fast
			4	000 - 050	Linear
		051 - 100		Square law	
		101 - 150		INV square law	
		151 - 255		S curve	

DMX512 Channel table for RGBAL colors:

modes		value	function
6-CH	9-CH		
1	1	000 - 255	Master Dimmer
	2		Strobe
		000 - 005	No Function
		006 - 255	Strobe slow to fast
2	3	000 - 255	Red
3	4	000 - 255	Green
4	5	000 - 255	Blue
5	6	000 - 255	Amber
6	7	000 - 255	Lime
	8	000 - 030	Fade off
		031 - 060	Low

		061 - 090	Medium
		091 - 255	High
	9	000 - 050	Linear
		051 - 100	Square law
		101 - 150	INV square law
		151 - 255	S curve

Use 'Up' and 'Down' button to select your desired operation, press 'Enter' to set all function

Notes:

- When there's a flickering '!' sign appeared, means no signal input for the fixture.
- No operation within 30seconds, LCD display will enter into Screen protection mode automatic.
- When the current temperature is higher than the protected setting temperature, 30% of power consumption will be deducted slowly; Power consumption will be coming to normal when the temperature gets to normal.

6. Fuse Replacement

If the fine-wire fuse of the device fuses, only replace the fuse by a fuse of same type and rating. Before replacing the fuse, unplug mains lead.

Procedure

Step 1: Unscrew the fuse holder on the rear panel with a fitting screwdriver from the housing (anticlockwise).

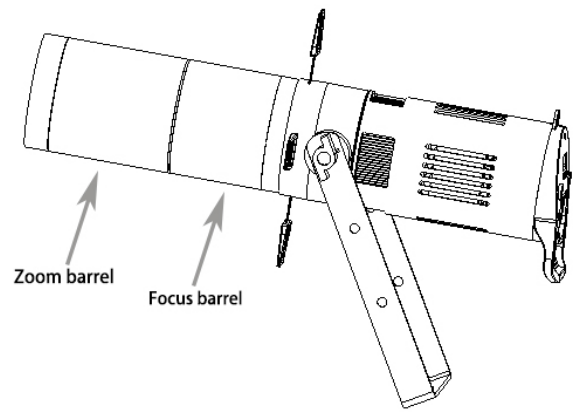
Step 2: Remove the old fuse from the fuse holder.

Step 3: Install the new fuse in the fuse holder.

Step 4: Replace the fuse holder in the housing and fix it.

7. Zoom

When the profile lens barrel connected with the led engine, user may rotate the zoom and focus barrel till the light output circular is clearly presented for different beam angles. When the projection distance is changed, user can follow previous operating steps, and focus the projector.



8. Changing lens barrel:

- ① Take off the profile lens barrel,
- ② Switch it with the Fresnel or Cyclorama lens barrel
- ③ Insert buckle to fix the lens barrel

